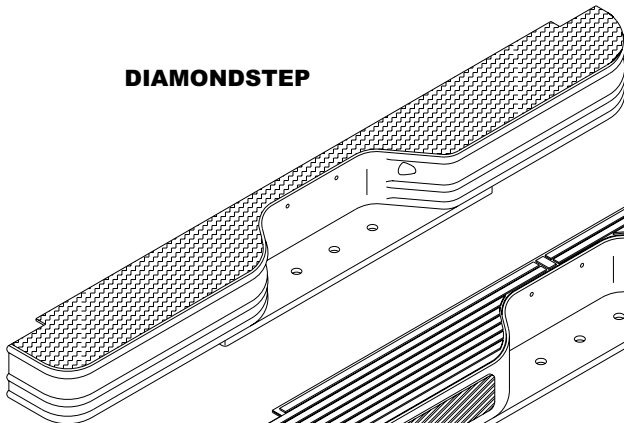




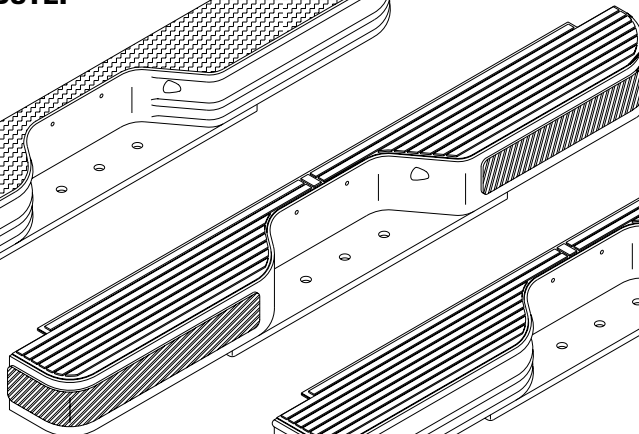
INSTALLATION INSTRUCTIONS

APPLICATION: 1973 - 87 CHEVY/GMC F/S TRUCK
1973 - 91 CHEVY/GMC CREW CAB TRUCK
MOUNT KIT : #22/92200

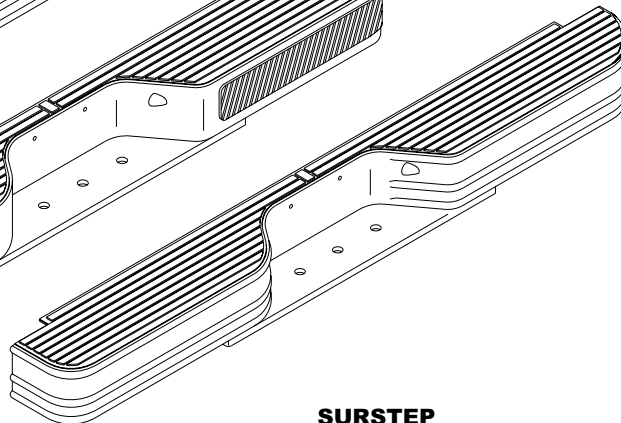
DIAMONDSTEP



SURSTEP XLT



SURSTEP



BUMPER WIDTH:74.50
HITCH WIDTH:36.50
VEHICLE FRAME WIDTH:34.00

	MOUNTING KIT CONTENTS		BUMPER KIT CONTENTS	TOOLS REQUIRED
1	DRIVER SIDE MOUNTING BRKT	1	BUMPER	3/4 SOCKET
1	PASSENGER SIDE MOUNTING BRKT	1	LICENSE PLATE LIGHT KIT	3/4 WRENCH
8	1/2 BOLT, NUT, FLAT WASHER, AND LOCK WASHER			RATCHET
				TORQUE WRENCH

STEP 1: Using 1/2 inch hardware, loosely install mounting brackets on the inside of truck frame rails with the offset outward. Refer to figure 1 and 2. **DO NOT TIGHTEN** mounting hardware.

STEP 2: Install bumper onto mounting brackets with brackets inside of bumper hitch. See figure 2. Use remaining 1/2 inch hardware. **DO NOT TIGHTEN.**

STEP 3: Position bumper squarely to tailgate and allow clearance for tailgate to open. Tighten hardware as follows: 1/2 to 60-65 ft lbs

STEP 4: Using square plastic grommets and sheet metal screws, install license plate. See figure 3.

STEP 5: Install pop lights into bumper (figure 4). Using supplied connectors, splice pop light wires into truck illumination wire as shown in figure 4. Make sure license plate lights are working properly.

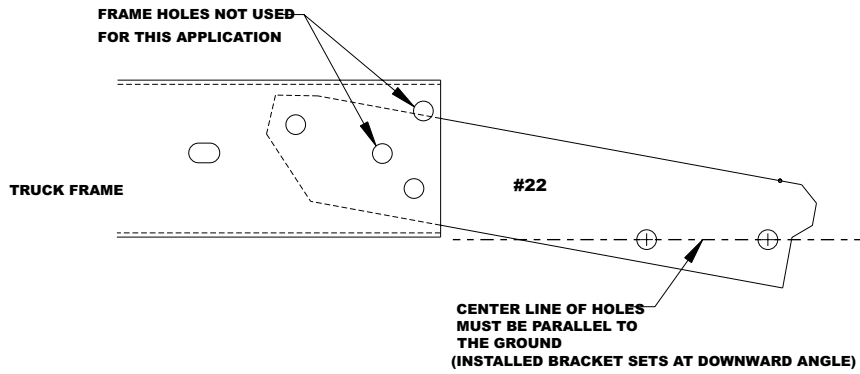


FIGURE 1 (driver side view)

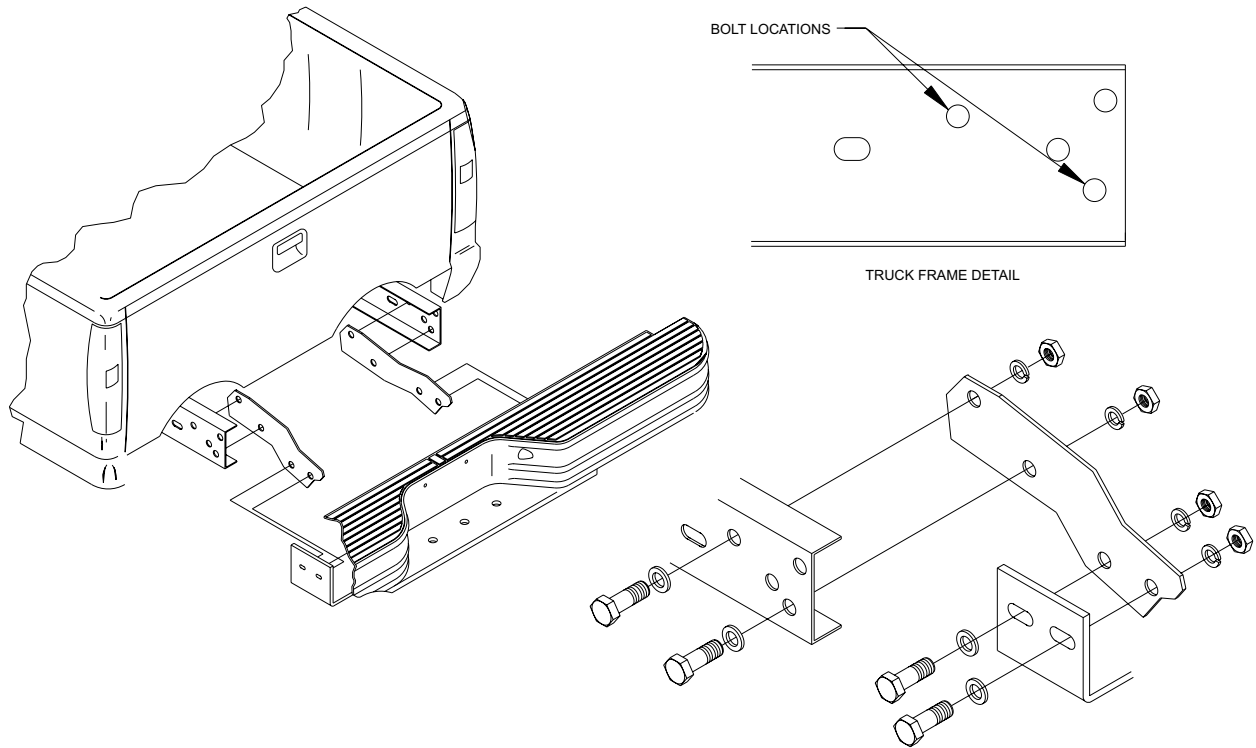


FIGURE 2

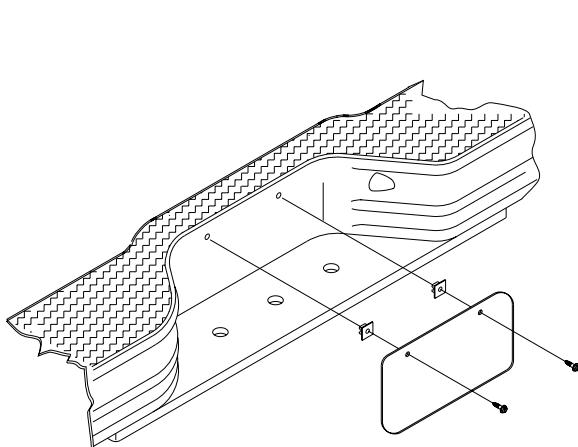


FIGURE 3

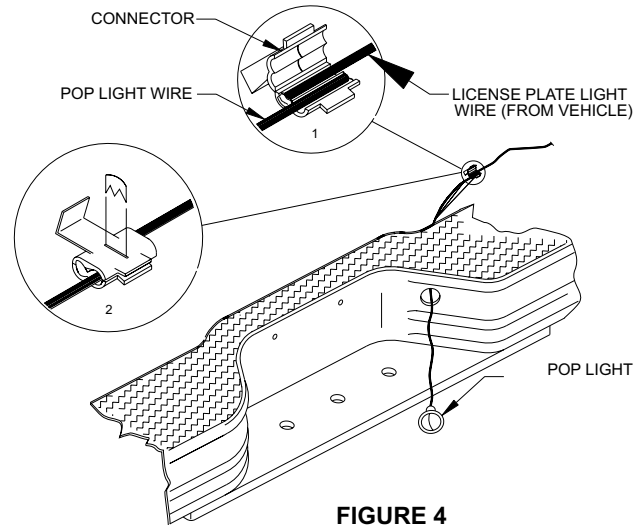


FIGURE 4