

Warranty and Disclaimer

Within One year after the purchase date, the original buyer may return any XKGLOW products that has one or more LEDs that fail to illuminate, due to a defect in materials or workmanship.

Installation of this product must be performed by a licensed professional. Should the failure of the product be the result of damage occurring as a result of improper installation, alteration of the product or an act or omission on the part of the consumer, this warranty is void. XKGLOW Lighting shall not be responsible for any consequential damages which arise from the use and/or installation of the product. If the kit is installed in any manner other than specified, XKGLOW Lighting reserves the right to deny any warranty claims at the discretion of the technical support department. Any product return must include the original packaging, invoice number and a statement of the alleged defect. Upon receipt of the returned product, the company will test the product for defect. If the results of the testing do not support the warranty claim, do not reveal any defect or indicate consumer negligence in the installation and handling of the product, then the product will be returned to you and you will be charged a reshipping fee. If the product is returned from an address within the continental United States, within the first 30 days after purchase, and is found to be defective, XKGLOW Lighting will exchange or refund the original purchase expense. This offer does not extend to the cost for shipping charges on any international packages.

Additional Disclaimer Terms

Please check your local and state laws for the proper use of this product.

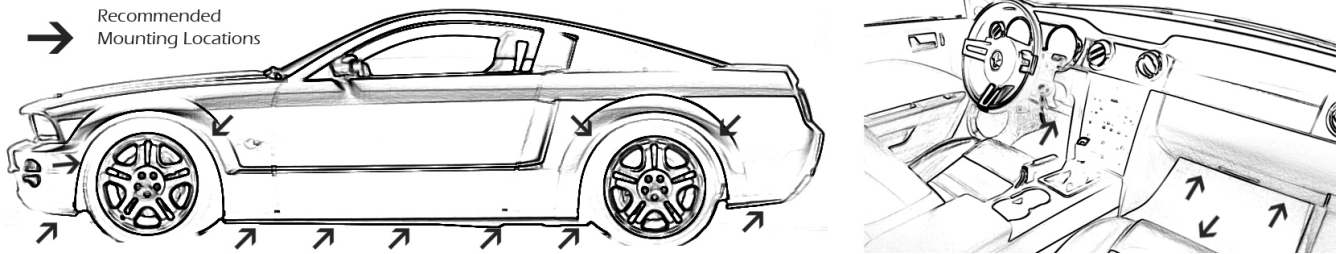
- Improper installation of electrical products such as lighting may cause damage to any vehicle or device to which the improperly handled or installed lighting is attached.
- Improperly installed product may cause electrical injury to persons.
- It is recommended that the kit should be installed by a licensed professional.
- XKGLOW assumes no liability for the installation of the product.
- Warranty or liability will not exceed the product purchase price, which shall be buyer's sole and exclusive remedy.

Return/Exchange Procedure

1. Email [xk@XKGLOW.com] to notify us of the product issue as well as the item number and name of customer on invoice.
2. We will send you the trouble-shooting guide to fix the issue, or to narrow down which of the component(s) need to be replaced. If the issue still exists, we will ask you to send back the defective items to be replaced.
3. Please send the returned item as instructed, along with claims and a telephone number where you can be reached.
4. After the returned item(s) have been accepted and inspected, we will issue a refund or replace the items ASAP. For refunds, item(s) must be sent to XKGLOW within 14 days from date of purchase. Original shipping charges are not refundable.

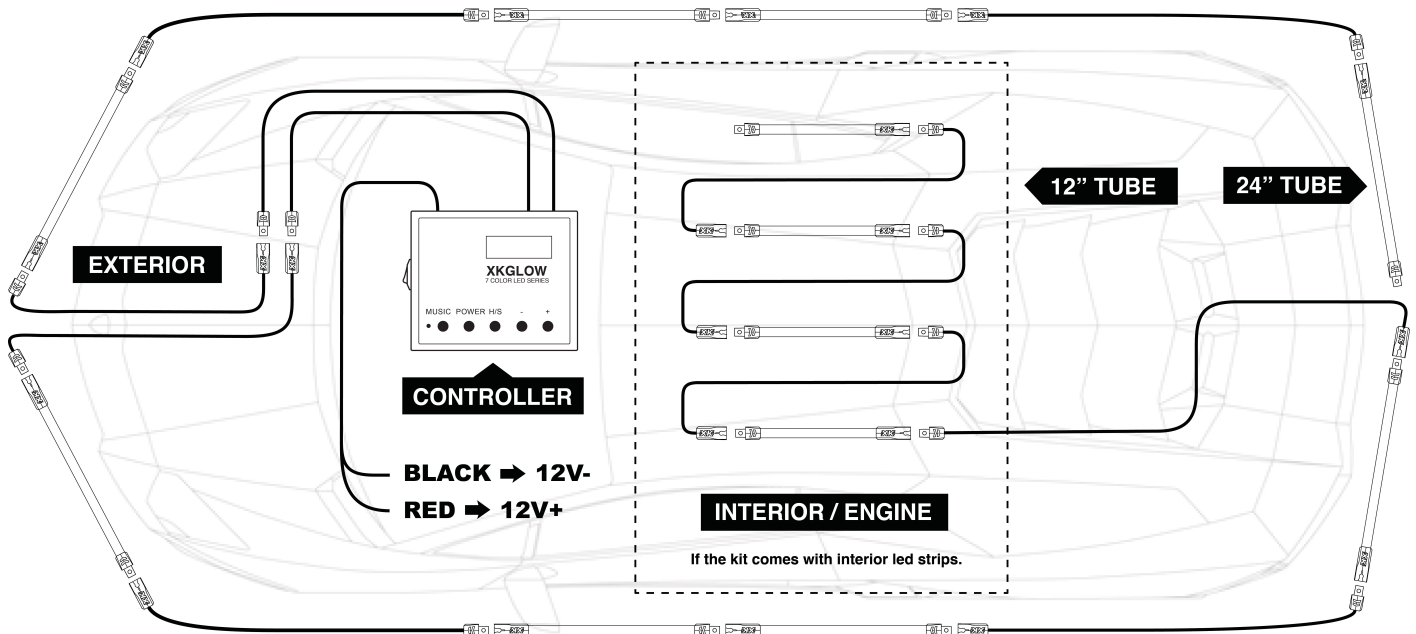
We always stand behind our products and are committed to our customers! For questions you may have, please contact xk@xkglow.com. We normally respond within 24 hours. (Monday-Friday).

Recommended Mounting Locations



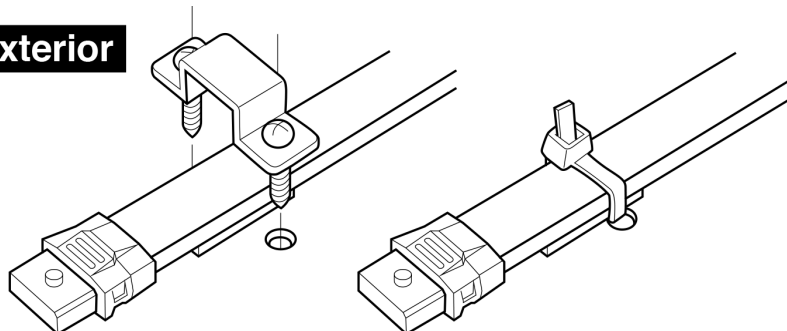
Mounting Instructions

- Test all components before mounting:** As shown below, plug all light units together and connect them to the controller. Connect the RED battery terminal to the POSITIVE pole of 12V DC battery. Connect the BLACK battery terminal to the NEGATIVE pole. Turn on the switch and push the Mode button to exam all the lights. If the light has any defective issue, please contact us and we will be happy to replace them for you.

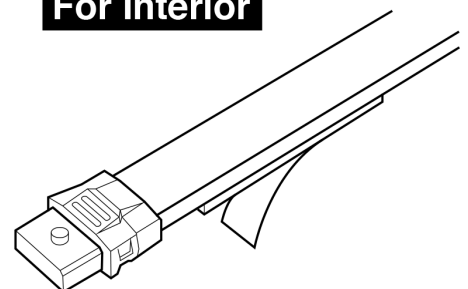


- Plan mounting locations:** Disconnect the tested lights from the vehicle's battery and remove any bodywork that will have the LED lights located behind them. Clean the mounting surface. Select the place where you want to locate the lights. Lay each string on the ground below desired mounting locations as the diagram shown above. And then LOOSELY mount the LED lights using Scotch or painters tape (not included) to the desired locations. (DO NOT firmly attach the lights in this step.)

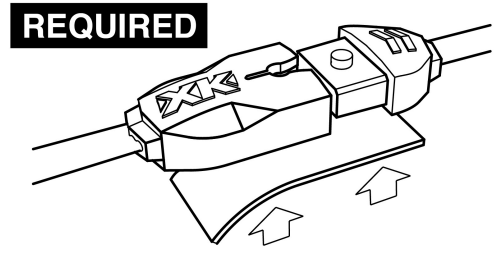
For Exterior



For Interior



3. **Mount the lights:** Clean the mounting surface again. Apply the included screws & brackets to firmly mount all tubes to the surface (required). Connect all extension wires and the switch wiring harness. **WARNING-** Do not force the plugs together! If they don't snap together, verify that all the pins line up. If a pin is out of place, it must be straightened for the plug to snap together.
4. **Secure all wires and connectors:** Use provided 3M tape to hold male and female plugs together. Use provided zip ties, and wire clips to neatly mount and hide any loose wires. Make sure the wires and light tubes are not touching anything hot or located on moving parts. Locate the ON/OFF switch in a dry and convenient location. Use provided end caps to cover all uncovered connectors.
5. **Connect to 12V DC power:** Firmly connect the wire terminals to the positive and negative poles of the battery.



Attach 3M tape to the back of both plugs

Functions of Each Button:

1. **ON/OFF:** This switch controls the overall power supply of both the control box and LED tubes. If the entire kit will not be used for more than 3 days, the ON/OFF switch should be shut off to avoid draining the battery.
2. **POWER:** This button controls the power towards the LED tubes. If it's turned off, the LED tubes will go off, but the control box itself is still working to communicate with the remote key fob by using a small amount of power.
3. **H/S:** There are three functions controlled by this button. The LCD screen will change corresponding to each function. Check the chart below for details (*under LCD Display column, "XX" or "X" represent numbers.*)

Mode	LCD Display	How to operate
Hand Select Mode	H-XX	Use "+" and "-" buttons to switch within 100 various light patterns (H-00 to H99). Go below H-00 or above H-99 to enter the following three special pattern groups.
	H-AX	One color changing with "breath wave" pattern (H-A0 to H-A9)
	H-BX	One color + White changing with "breath wave" pattern (H-B0 to H-B9)
	H-CX	One solid on color (H-C0 to H-C8)
Auto Mode	H-00 or A-XX	Under H mode, use "+" and "-" buttons to switch to H-00, after 1 second, LCD screen will turn to A-XX and start cycling through all hand selected light patterns gradually. To get back to H mode, press "+" or "-" and the LCD screen will change to "H-XX" again and stays.
Speed Adjustment	S-XX	Under any H or A mode, press "H/S" to switch to S mode. Use "+" and "-" to select changing speed. The smaller the number goes, the faster the light changes. Press "H/S" again to switch back to H mode.

4. **"+" and "-":** Adjust the flash patterns or speeds under each mode with the "+" and "-" buttons.
5. **MUSIC:** Music function could be used in both H and A modes. The louder the music is, the faster the selected pattern changes. The Speed function is disabled under Music mode.
6. **Auto Memory:** Every time the "POWER" button is pressed, the control module will automatically memorize the current pattern and speed. The same pattern and speed will be continued next time the power is turned back on.

Wireless Key Fob:

Below are the equivalences between the wireless key fob buttons and control box buttons:

Wireless Key Fob	Control Box
Button "A"	POWER
Button "B"	H/S
Button "C"	-
Button "D"	+

The remote key fob is built with universal frequency. If you want to customize your remote with exclusive frequency key fob, please visit XKGLOW.com to purchase the customized key fob and control box.

Advanced Setting:

The following settings can only be changed through the control box, not the key fob.

1. **Adding More Light Tubes:** Each output wire of the control box can load up to (20) 12" tubes. If you are connecting more than 14 tubes to EACH output wire, please follow the instructions to set the controller:
 - Press "POWER" button to turn off the LED tubes (ON/OFF switch needs to remain ON). Press "H/S" for 2 seconds until the LCD changes to "XXXX".
 - Use the "+" button to reach a higher number. The default number is 14.
 - Press "POWER" once it's done to save the settings.
 - Remember, the number shown on the screen should be the max LED tube amount connected to EACH output wire, NOT the amount of entire kit.
2. **Change Music Sensitivities:**
 - Press POWER button to turn off the LED tubes (ON/OFF switch needs to remain ON). Press H/S for 2 seconds until the LCD turns "XXXX". Then press "H/S" again, the LCD screen would change to "PL-XX".
 - Use "+" and "-" to select sensitivities. PL-01 is lowest. PL-03 is highest.
 - Press "POWER" once you're done to save the settings.
3. **Add an Unique Frequency:**
 - Press POWER button to turn off the LED tubes (ON/OFF switch needs to remain ON). Press "+" and "-" at the same time until the LCD shows "----".
 - Press any button of the Exclusive Remote Key Fob (purchased separately) until the LCD shows "0000". That indicates the new frequency has been added.

Press POWER once you're ready to save the settings.

Visit www.XKGLOW.com to purchase extra lights and accessories.