

11031

KIA RONDO

10/22/2020

GROSS LOAD CAPACITY WHEN USED AS A WEIGHT CARRYING HITCH: 2,000 LBS. TRAILER WEIGHT & 200 LBS. TONGUE WEIGHT.

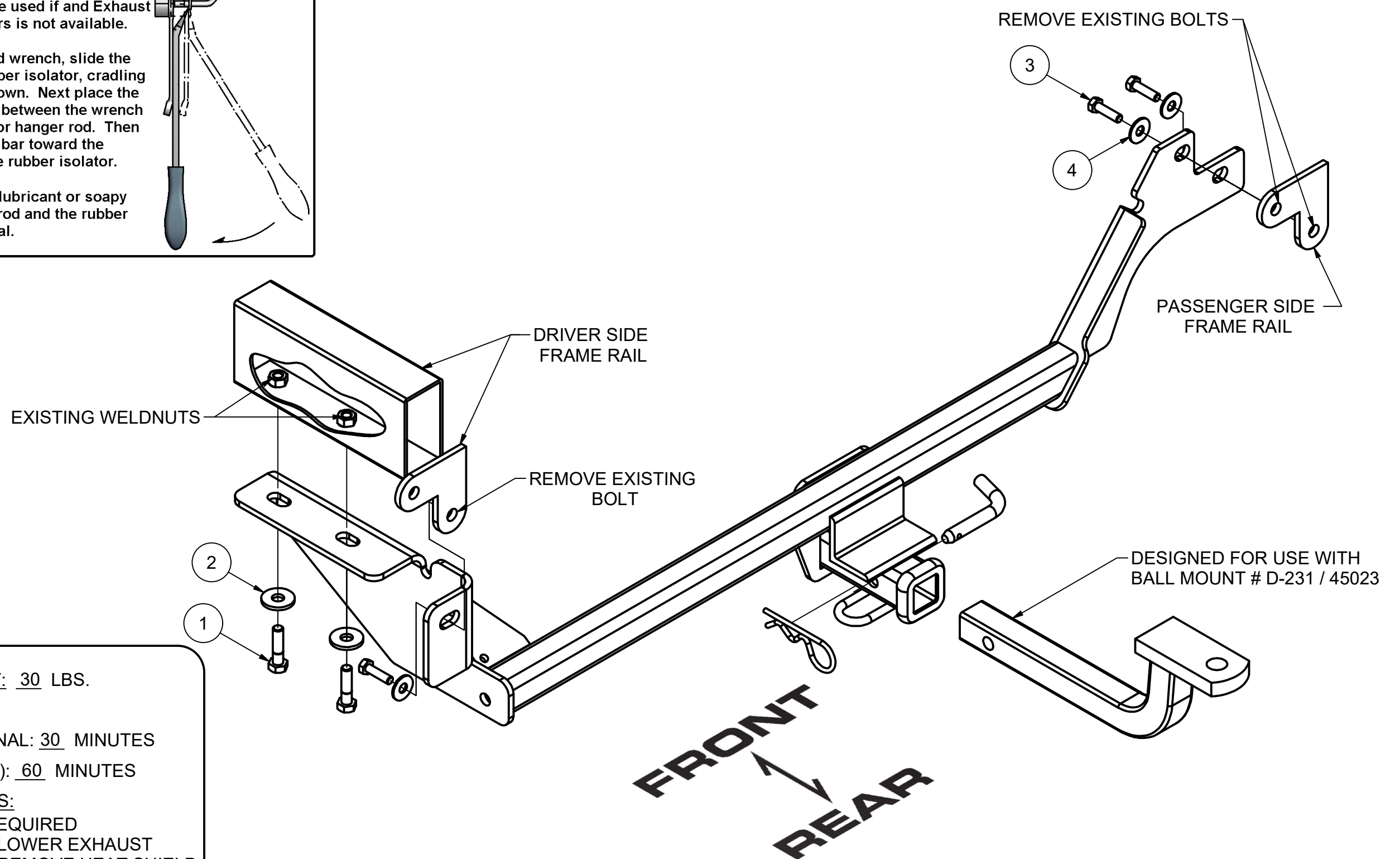
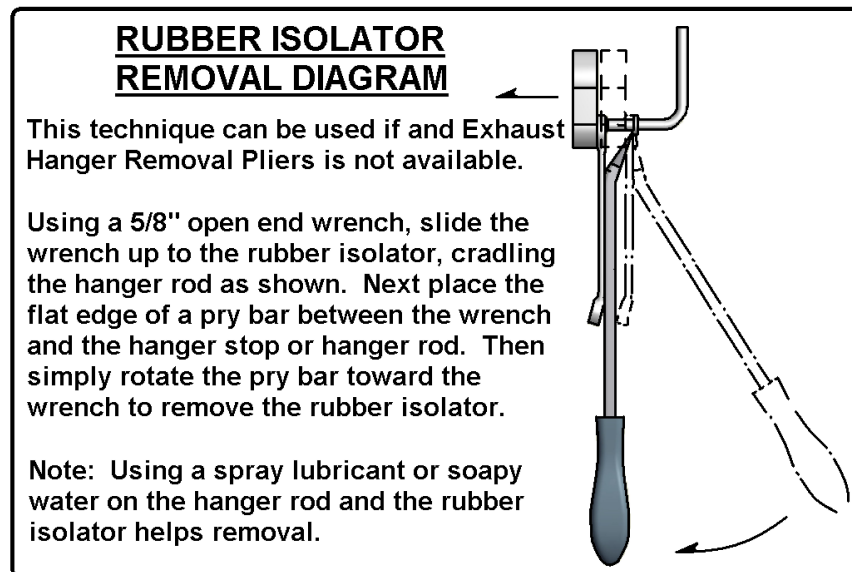
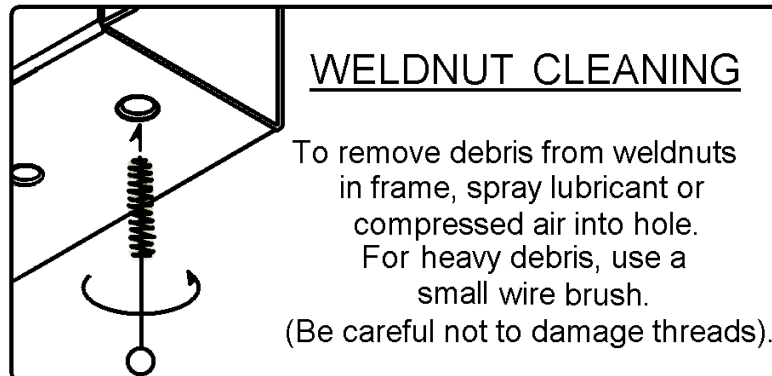
*****DO NOT EXCEED VEHICLE MANUFACTURER'S RECOMMENDED TOWING CAPACITY.*****

WARNING: ALL NON-TRAILER LOADS APPLIED TO THIS PRODUCT MUST BE SUPPORTED BY 18050 STABILIZING STRAPS.

**** FAILURE TO PROPERLY SUPPORT NON-TRAILER LOADS WILL VOID PRODUCT WARRANTY****

HAVING INSTALLATION QUESTIONS? CALL TECHNICAL SUPPORT AT 877-287-8634

Parts List			
ITEM	QTY	PART NUMBER	DESCRIPTION
1	2	10-10398	HHCS,M10x1.25,40,CL10.9,YZ
2	2	30-00163	WASHER, S-CON,7/16,YZ
3	3	10-10440	HHCS,M8x1.25,30,CL10.9,YZ
4	3	30-00148	WASHER,S-CON,3/8,YZ



HITCH WEIGHT: 30 LBS.

INSTALL TIME

PROFESSIONAL: 30 MINUTES

NOVICE (DIY): 60 MINUTES

INSTALL NOTES:

NO DRILLING REQUIRED
TEMPORARILY LOWER EXHAUST
TEMPORARILY REMOVE HEAT SHIELD
REMOVE TIE DOWN HOOK

INSTALLATION STEPS

1. Lower exhaust to ease installation. See Rubber Isolator Removal Diagram.
2. Temporarily remove heat shield. Save heat shield and hardware for reinstallation.
3. Remove tie down hook and return to vehicle owner for reinstallation if hitch is ever removed.
4. Remove fasteners in the frame rails as shown above.
5. Raise hitch into position and install fasteners as shown.
6. Torque all M8 fasteners to 23 lb-ft and M10 fasteners to 45 lb-ft.
7. Reinstall heat shield.
8. Raise exhaust back into position.

PERIODICALLY CHECK THIS RECEIVER HITCH TO ENSURE THAT ALL FASTENERS ARE TIGHT AND THAT ALL STRUCTURAL COMPONENTS ARE SOUND.

Curt Manufacturing Inc., warrants this product to be free of defects in material and/or workmanship at the time of retail purchase by the original purchaser. If the product is found to be defective, Curt Manufacturing Inc., may repair or replace the product, at their option, when the product is returned, prepaid, with proof of purchase. Alteration to, misuse of, or improper installation of this product voids the warranty. Curt Manufacturing Inc.'s liability is limited to repair or replacement of products found to be defective, and specifically excludes liability for incidental or consequential loss or damage.