



11068 INSTALLATION INSTRUCTIONS



Safety glasses should be worn at all times while installing this product.

YEARS: 2009-PRESENT

MAKE: INFINITI

MODEL: G37 & Q60 POWER RETRACTABLE HARD TOP

STYLE: CONVERTIBLE

WARNING: NEVER EXCEED YOUR VEHICLE MANUFACTURER'S RECOMMENDED TOWING CAPACITY

WEIGHT CARRYING:
TRAILER WEIGHT: 1,500 LBS.
TONGUE WEIGHT: 150 LBS.

WARNING:
WE RECOMMEND THE USE OF 18050 STABILIZING STRAPS FOR ALL NON-TRAILER (WHEEL-LESS) LOADS. PLEASE SEE THE CURT CATALOG OR VISIT US ONLINE AT WWW.CURTMFG.COM FOR FURTHER INFORMATION.

INSTALLATION TIME: 90 MIN.

THE INSTALL TIME LISTED IS FOR PROFESSIONAL INSTALLERS. IF YOU ARE HESITANT TO UNDERTAKE THIS TASK ON YOUR OWN, CONTACT AN AUTHORIZED CURT INSTALLER FOR ADDITIONAL ASSISTANCE.

INSTALLATION TIPS:

- BEFORE YOU BEGIN INSTALLATION, READ ALL INSTRUCTIONS THOROUGHLY.
- TO EASE INSTALLATION, 2 PEOPLE MAY BE REQUIRED.
- USING PROPER TOOLS WILL GREATLY IMPROVE THE QUALITY OF THE INSTALL AND REDUCE THE TIME REQUIRED.
- NEED HELP OR HAVE SOME QUESTIONS? CALL TECHNICAL SUPPORT AT 800.798.0813

VEHICLE PHOTO:



REPRESENTATIVE PHOTO

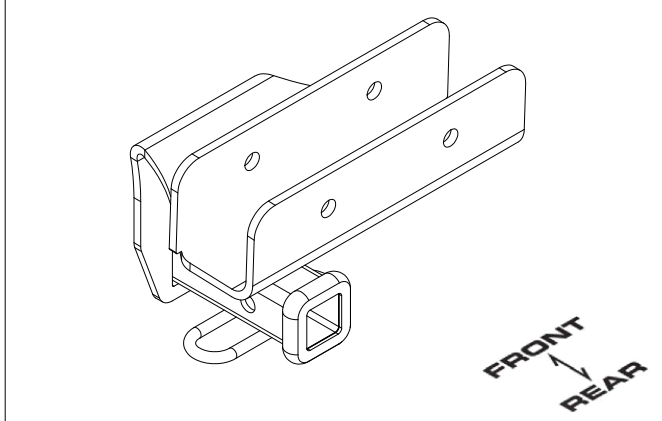
INSTALLATION REQUIRES:

RATCHET	TORQUE WRENCH	SOCKET 3/4" 10mm 8mm
SCREW DRIVER	POWER DRILL	DRILL BIT 17/32"
SOCKET EXTENSION 3"	ROTARY TOOL	MARKER
TAPE MEASURE		

LEVEL OF DIFFICULTY: HARD

EASY	MODERATE	HARD
	DRILL BUMPER BEAM	
	REMOVE BUMPER COVER (OPTIONAL)	
	TRIM BUMPER COVER (OPTIONAL)	

HITCH ILLUSTRATION:



MAKE SURE YOUR HITCH MATCHES

PERIODICALLY CHECK THIS RECEIVER HITCH TO ENSURE ALL FASTENERS ARE TIGHT AND ALL STRUCTURAL COMPONENTS ARE SOUND

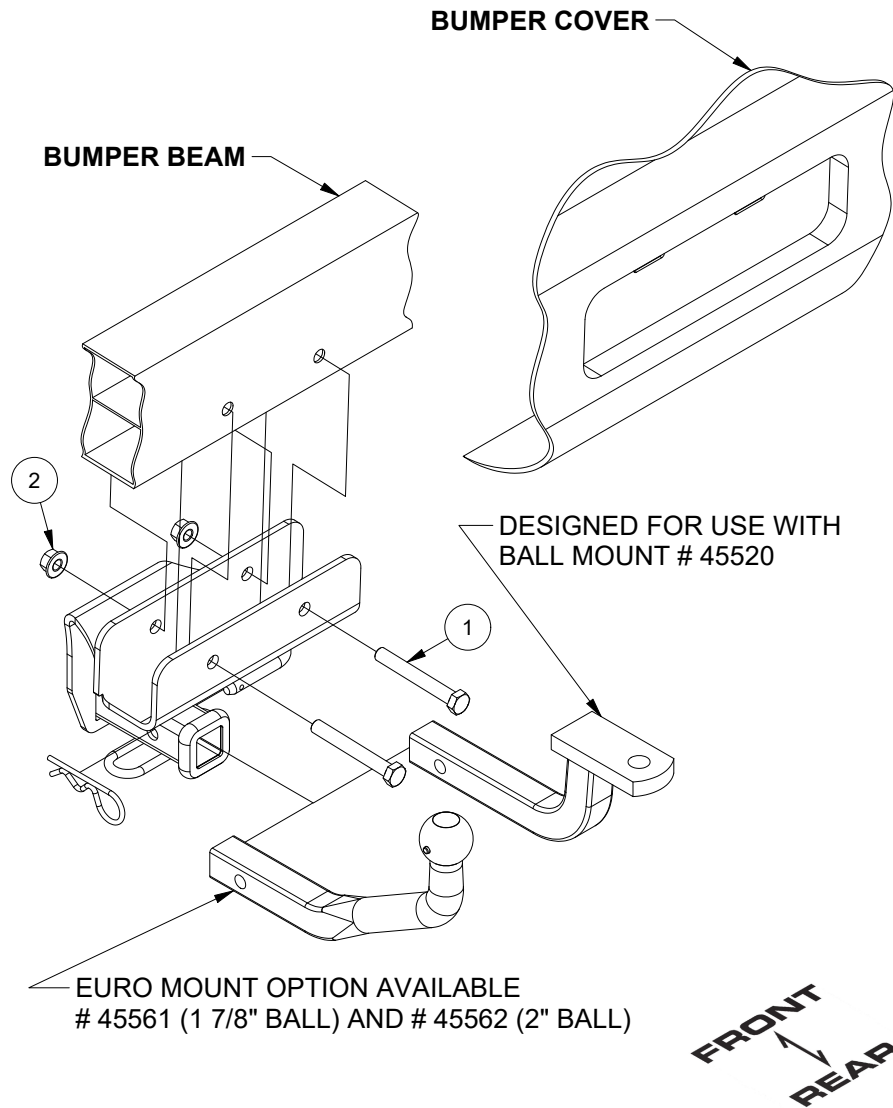
CURT Manufacturing Inc. warrants this product to be free of defects in material and/or workmanship at the time of retail purchase by the original purchaser. If the product is found to be defective, Curt Manufacturing Inc. may repair or replace the product at their option, when the product is returned, prepaid, with proof of purchase. Alteration to, misuse of, or improper installation of this product voids the warranty. Curt Manufacturing Inc.'s liability is limited to repair or replacement of products found to be defective, and specifically excludes liability for incidental or consequential loss or damage.

For more information log onto www.curtmfg.com, & for helpful towing tips log onto www.hitchinfo.com

11/25/2020

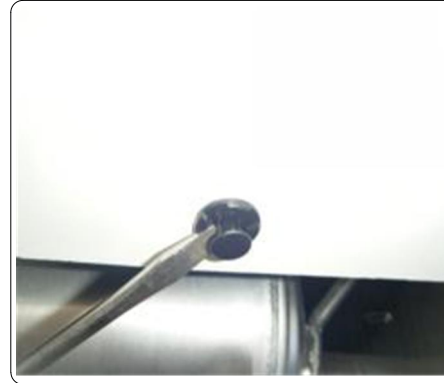
INSTALLATION WALKTHROUGH:

Parts List			
ITEM	QTY	PART NUMBER	DESCRIPTION
1	2	10-10573	HHCS, 1/2-13 UNC, 3-3/4, GRD8, YZ
2	2	20-00062	NUT, SER-FLANGE, 1/2-13 UNC, GRD8, YZ



1. To allow access to the vehicle bumper beam, it is required to either remove the bumper cover or trim the cover. Step "A" will show how to remove the bumper cover and Step "B" where to trim the bumper cover.

A. Start by removing (2) clips and (2) screws from the bottom of the bumper cover.



A. Remove (3) clips and (1) screw from the driver and passenger side tire wells.



INSTALLATION WALKTHROUGH:

A. Clear the trunk area and remove the carpeted mat on the bottom of the trunk.



A. Remove the plastic panel at the rear of the trunk by removing (4) clips and (2) screws. Also detach the electrical connection for the interior light.



A. Remove the (2) plastic bottom side panels by removing (1) clip per panel.



REMOVE THESE PANELS



A. Removed the carpeted side panels by removing (5) clips and (1) stud cover per panel.

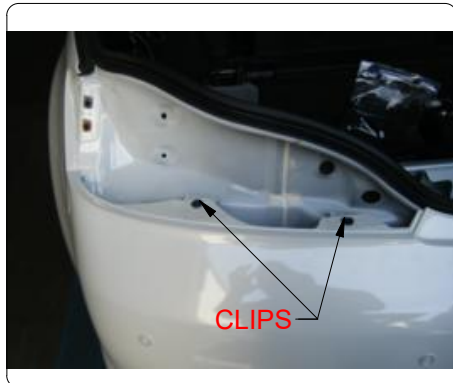


INSTALLATION WALKTHROUGH:

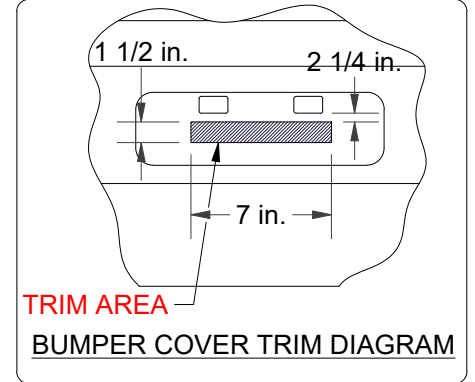
A. To remove the taillights, unhook the white electrical connector to the lights. Remove (3) nuts per light.



A. Remove the tail lights. Remove the (4) clips holding the bumper. Place the bumper cover where it will not be damaged. Retain all hardware for reinstallation.



B. To trim the bumper cover, first temporarily remove the license plate. Locate the (2) rectangular holes cut through the cover. Lay out a rectangular area that is 1 1/2" by 6". Center the rectangle on the vehicle and position it 2 1/4" below the rectangular holes. Trim out the area using a rotary tool with a cutoff wheel. Remove (2) clips on the bottom of the bumper cover.

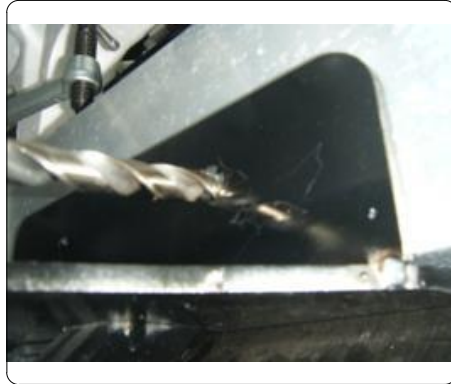
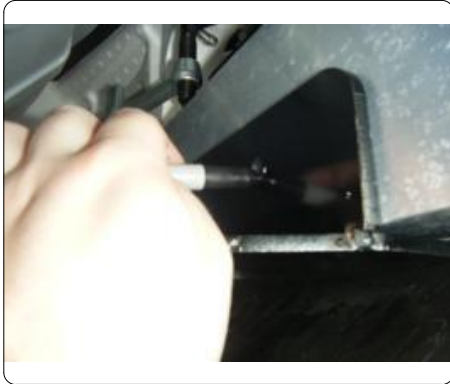


2. Raise the hitch into position under the bumper beam. Center the hitch on the vehicle. A large c-clamp may be used to hold the hitch in position for drilling.

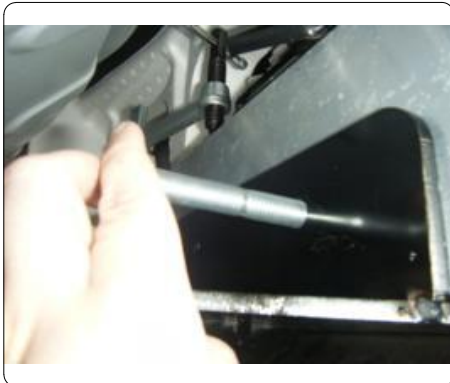


INSTALLATION WALKTHROUGH:

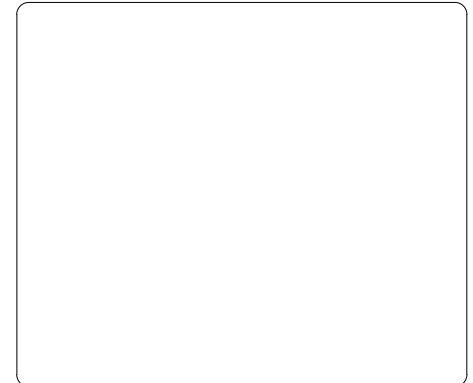
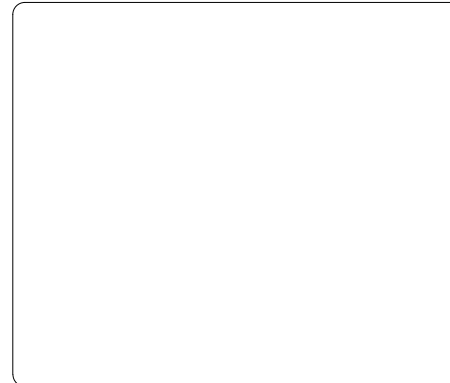
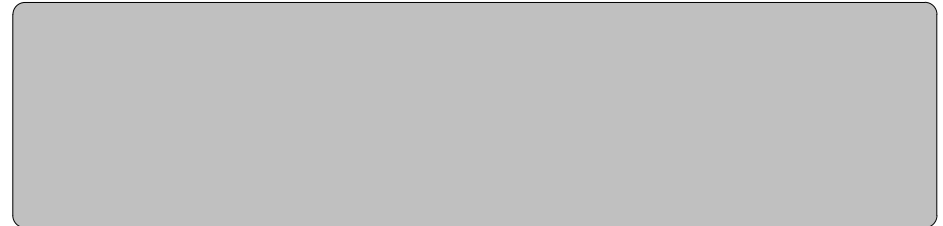
3. Using the hitch as a template, mark and drill the vehicle bumper beam for 1/2" hardware.



4. Install 1/2" hex bolts and hex flange nuts as shown. Torque all 1/2" hardware to 110 lb-ft.



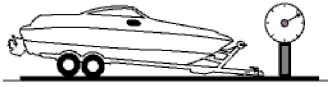
5. If the bumper cover was removed, reinstall the cover and tail lights in the reverse order that they were removed. If the cover was trimmed, reinstall the license plate and the clips removed from the bottom of the bumper cover.



TOWING SAFETY INFORMATION

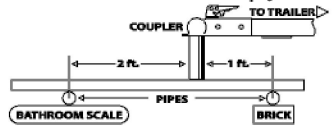
Gross Trailer Weight / GTW

The Gross Trailer Weight is the weight of the trailer & cargo. Measure this by putting the fully loaded trailer on a vehicle scale.



Tongue Weight / TW

The downward force that is exerted on the hitch ball by the coupler. The tongue weight will vary depending on where the load is positioned in relationship to the trailer axle(s). To measure the tongue weight, use either a commercial scale or a bathroom scale with the coupler at towing height. When using a bathroom scale with heavier tongue weights, use the method shown and multiply the scale reading by 3.



Weight Carrying / WC

The total weight of both the trailer and the cargo inside. Never exceed the weight capacity of your trailer hitch.

Weight Distribution / WD

Used to balance the weight of the cargo between the front and rear wheels throughout the trailer, allowing for better steering, braking, and level riding.



Sway Control

A device used to reduce the lateral movements of the trailer that are caused by the wind. This works in conjunction with a weight distribution hitch. Do not use this on a class 1 or 2 hitch, or with surge brakes.

How Much Can You Safely Tow?

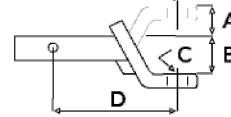
TONGUE WEIGHT	1000	2000	3000	4000	5000	6000	7000	8000	10,000	12,000
Tongue weight should be about 10 to 15 percent of the gross trailer weight.										
CLASS 1										
CLASS 2										
CLASS 3										
CLASS 4										
CLASS 5										
TRAILER TYPE										
Camper	11'	12'	13'	14'	15'	16'				
lbs.	1100	1200	1300	1400	1500	1600				
Vacation	18'	18'	18'	20'	22'	24'	26'	28'	30'	32'
lbs.	2100	2400	2700	3000	3300	3600	3900	4200	4500	4800
Vacation	18'	16'	18'	20'	22'	24'	26'	28'	30'	32'
lbs.	2800	3200	3600	4000	4400	4800	5200	5600	6000	6400
5th Wheel										

Refer to owner's manual for towing capabilities and limitations.

Ball Mount

The ball mount is placed inside the opening of the receiver hitch which is mounted to the vehicle. Make sure a hitch pin and clip is properly securing the ball mount to the receiver hitch before you begin towing.

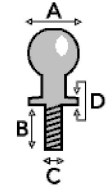
- A: Rise. B: Drop. C: Hole Size. D: Length.



Trailer Ball

The connection from the hitch to the trailer. There are many factors that determine the correct hitch ball:

- Number one is the hitch ball's gross trailer weight rating.
- The mounting platform must be at least 3/8" thick.
- The hole diameter must not be more than 1/16" larger than the threaded shank.
- Every time you tow, check the nut and lock washer to make sure they are fastened securely.
- A: Ball Dia. B: Shank Length. C: Shank Dia. D: Shank Rise.



Coupler

The component that is placed over the trailer ball to connect the vehicle to the trailer. Be sure that the coupler size matches the size of the hitch ball and that the coupler handle is securely fastened. To determine what size hitch ball you need for your application you will need to know the size of coupler that is on the trailer. Be sure your coupler is properly adjusted to the ball you are using.

NOTE: For added security the use of safety devices such as Coupler Safety Pins and Locks is strongly recommended.

Safety Chains

Safety chains are a requirement and should be crossed under the tongue of the trailer so that the tongue will not drop to the road if it becomes separated from the hitch. Always leave enough slack so you can turn. Never allow the safety chains to drag on the ground and never attach the chains to the bumper.

Trailer Classification: Safety Chain Breaking Force - Minimum

Class 1: 2,000 lbs. (8.9 kN)

Class 2: 3,500 lbs. (15.6 kN)

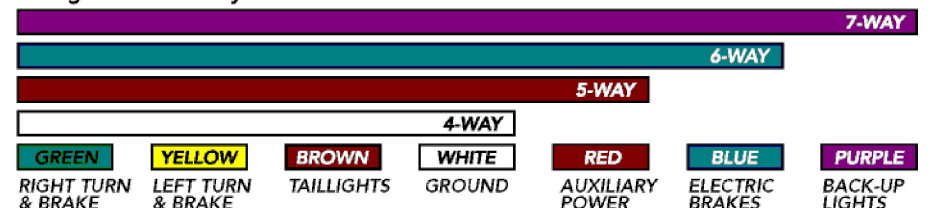
Class 3: 5,000 lbs. (22.2 kN)

The strength rating of each length of safety chain or its equivalent and its attachments shall be equal to or exceed in minimum breaking force the GVWR (Gross Vehicle Weight Rating) of the trailer.

Electrical

Trailer lights, Electric Brakes, Break-away systems - Every time you tow, be sure to check that all components are working properly.

Wiring identification by color:



CURT DISCLAIMER: WIRING COLOR SHOWN WORK IN CONJUNCTION WITH CURT MANUFACTURING PRODUCTS.

11068 INFINITI G37 & Q60 POWER RETRACTABLE HARD TOP

11/25/2020

GROSS LOAD CAPACITY WHEN USED AS A WEIGHT CARRYING HITCH: 1,500 LBS. TRAILER WEIGHT & 150 LBS. TONGUE WEIGHT.

*****DO NOT EXCEED VEHICLE MANUFACTURER'S RECOMMENDED TOWING CAPACITY.*****

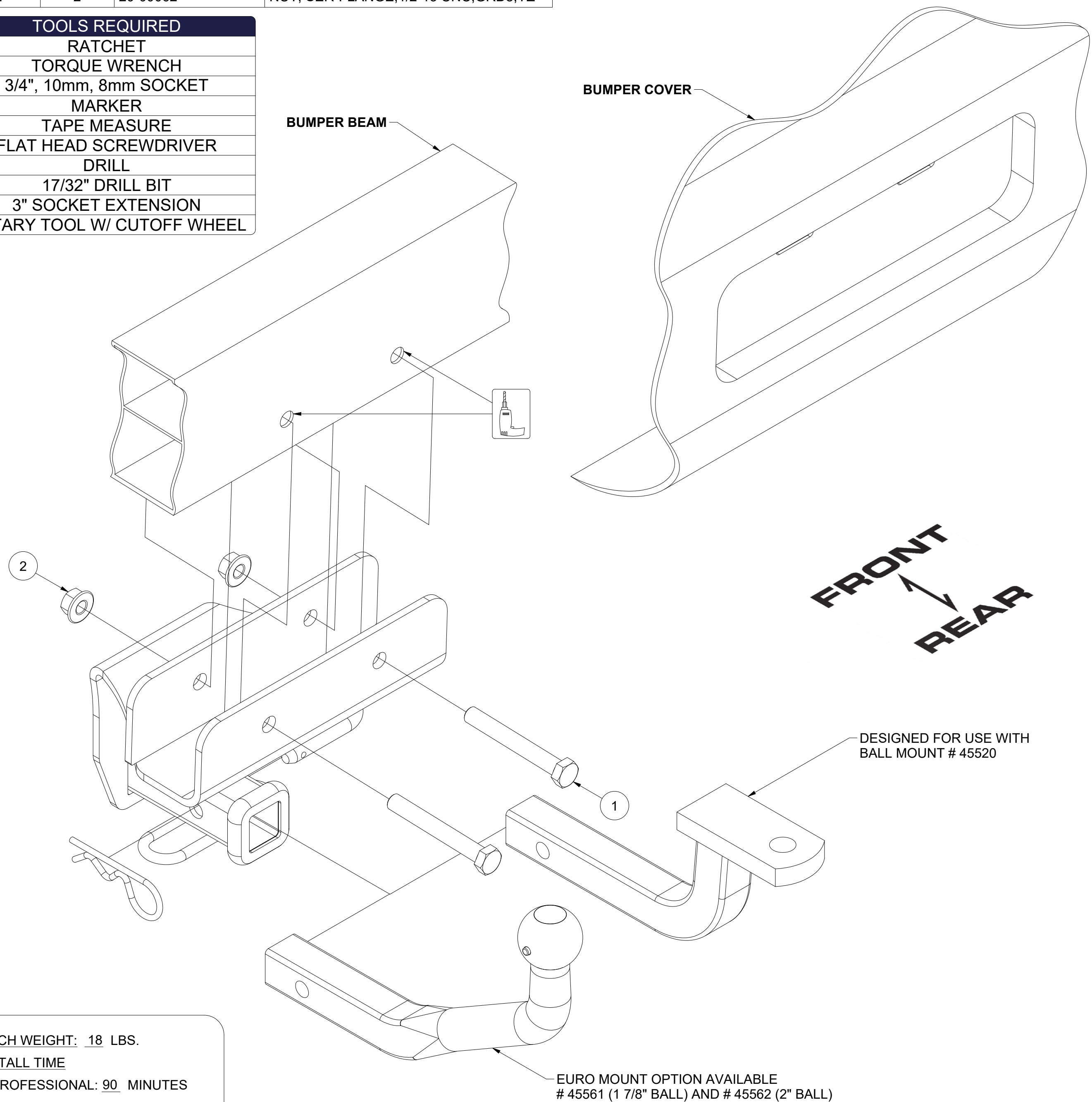
WARNING: ALL NON-TRAILER LOADS APPLIED TO THIS PRODUCT MUST BE SUPPORTED BY AUXILIARY STABILIZING STRAPS.

**** FAILURE TO PROPERLY SUPPORT NON-TRAILER LOADS WILL VOID PRODUCT WARRANTY****

HAVING INSTALLATION QUESTIONS? CALL TECHNICAL SUPPORT AT 1-877-287-8634

Parts List			
ITEM	QTY	PART NUMBER	DESCRIPTION
1	2	10-10573	HHCS, 1/2-13 UNC, 3-3/4, GRD8, YZ
2	2	20-00062	NUT, SER-FLANGE, 1/2-13 UNC, GRD8, YZ

TOOLS REQUIRED
RATCHET
TORQUE WRENCH
3/4", 10mm, 8mm SOCKET
MARKER
TAPE MEASURE
FLAT HEAD SCREWDRIVER
DRILL
17/32" DRILL BIT
3" SOCKET EXTENSION
ROTARY TOOL W/ CUTOFF WHEEL



HITCH WEIGHT: 18 LBS.
 INSTALL TIME
 PROFESSIONAL: 90 MINUTES
 NOVICE (DIY): 180 MINUTES
 INSTALL NOTES:
 - DRILLING REQUIRED
 - REMOVE BUMPER COVER (OPTIONAL)
 - TRIM FASCIA (OPTIONAL)

PERIODICALLY CHECK THIS RECEIVER HITCH TO ENSURE THAT ALL FASTENERS ARE TIGHT AND THAT ALL STRUCTURAL COMPONENTS ARE SOUND.

Curt Manufacturing Inc., warrants this product to be free of defects in material and/or workmanship at the time of retail purchase by the original purchaser. If the product is found to be defective, Curt Manufacturing Inc., may repair or replace the product, at their option, when the product is returned, prepaid, with proof of purchase. Alteration to, misuse of, or improper installation of this product voids the warranty. Curt Manufacturing Inc.'s liability is limited to repair or replacement of products found to be defective, and specifically excludes liability for incidental or consequential loss or damage.

11068 INFINITI G37 & Q60 POWER RETRACTABLE HARD TOP

11/25/2020

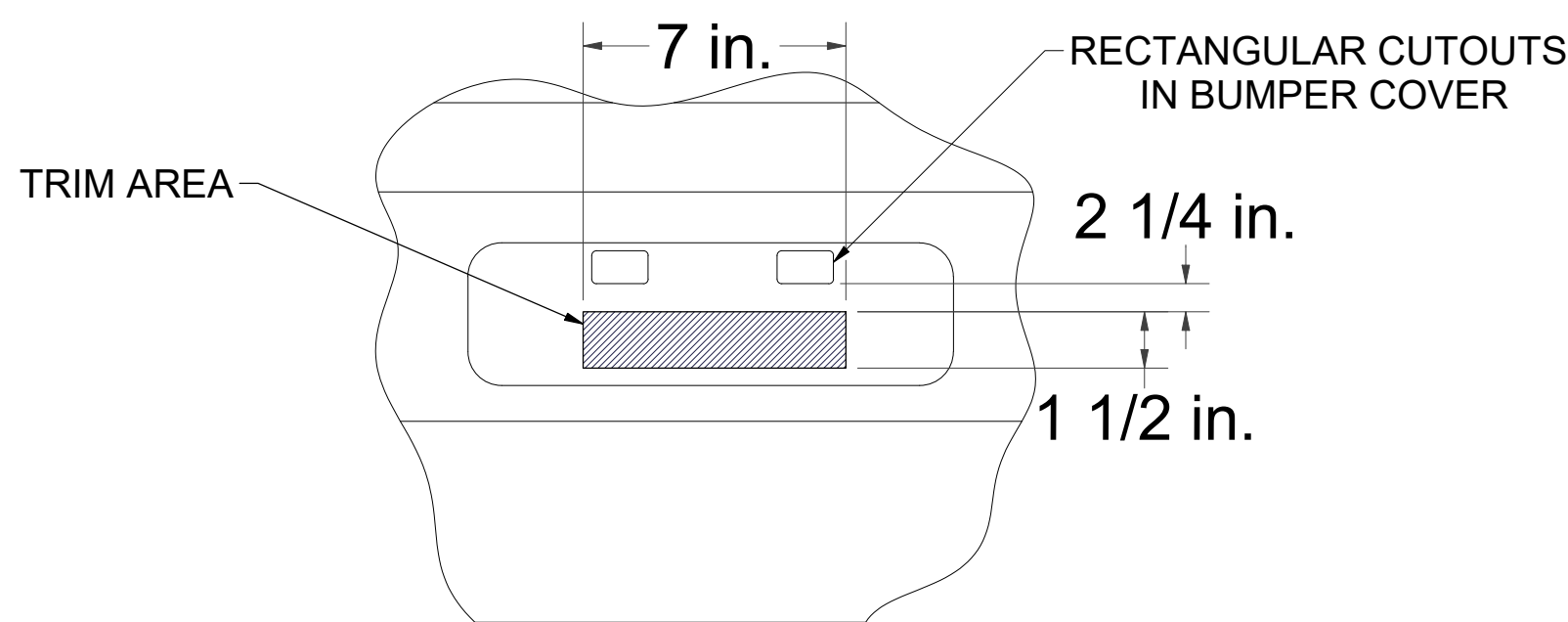
GROSS LOAD CAPACITY WHEN USED AS A WEIGHT CARRYING HITCH: 1,500 LBS. TRAILER WEIGHT & 150 LBS. TONGUE WEIGHT.

*****DO NOT EXCEED VEHICLE MANUFACTURER'S RECOMMENDED TOWING CAPACITY.*****

WARNING: ALL NON-TRAILER LOADS APPLIED TO THIS PRODUCT MUST BE SUPPORTED BY AUXILIARY STABILIZING STRAPS.

**** FAILURE TO PROPERLY SUPPORT NON-TRAILER LOADS WILL VOID PRODUCT WARRANTY****

HAVING INSTALLATION QUESTIONS? CALL TECHNICAL SUPPORT AT 1-877-287-8634



BUMPER COVER TRIM DIAGRAM

INSTALLATION STEPS

1. To allow access to the vehicle bumper beam, it is required to either remove the rear bumper cover or trim the cover. Step "A" will show how to remove the bumper cover and Step "B" will explain where to trim the bumper cover.

"A". Start by removing (2) fascia clips on the bottom of the bumper. Remove (1) screw on the bottom of the bumper cover from each side of the vehicle. Remove (3) clips inside of each rear tire well. Remove (1) screw in each tire well.

To remove the remaining clips holding the bumper cover it is necessary to remove the taillights from the vehicle. The remaining clips are located under the taillights. First remove any contents from the vehicle trunk. Lift and remove the carpeted center of the trunk. Remove the plastic panel at the rear of the trunk by removing (4) clips and (2) screws. Also detach the connection to the interior light that is attached to the panel. Next, remove the (2) plastic bottom side panels by removing (1) clip per panel. Next remove the carpeted side panels by removing (5) clips and (1) stud cover per panel. To remove the taillight, unhook the white electrical connector to the light. Remove (3) nuts holding the taillight. Push the light out to the rear of the vehicle. This will expose the (2) remaining clips on each side of the vehicle that hold the rear bumper cover in place. Remove the clips and carefully remove the bumper cover. Unhook the electrical connections to the backup sensors. Place the cover where it will not be damaged. Be sure to save all the hardware for reinstallation.

"B". To trim the fascia, first remove the rear license plate. There will be (2) rectangular holes through the bumper cover. The bumper beam can be felt below these holes. Lay out a rectangular area that is 1 1/2" by 6". Center this area on the vehicle and position it 2 1/4" below the rectangular holes in the bumper cover. Use a rotary tool with a cutoff wheel to trim out this area. Remove the (2) clips holding the bottom of the bumper cover. Save clips for reinstallation. (See BUMPER COVER TRIM DIAGRAM.)

2. Raise the hitch into position over the bumper beam and center the hitch on the vehicle. A large c-clamp may be used to hold the hitch in position for drilling.
3. Use the hitch as a template, drill the bumper beam for 1/2" hardware.
4. Install the 1/2" hex bolts and hex flange nuts as shown.
5. Torque all 1/2" hardware to 110 lb-ft.
6. Reinstall the bumper cover and tail lights (if removed) in the reverse order that it was removed. Reinstall the license plate if the bumper cover was trimmed.

PERIODICALLY CHECK THIS RECEIVER HITCH TO ENSURE THAT ALL FASTENERS ARE TIGHT AND THAT ALL STRUCTURAL COMPONENTS ARE SOUND.

Curt Manufacturing Inc., warrants this product to be free of defects in material and/or workmanship at the time of retail purchase by the original purchaser. If the product is found to be defective, Curt Manufacturing Inc., may repair or replace the product, at their option, when the product is returned, prepaid, with proof of purchase. Alteration to, misuse of, or improper installation of this product voids the warranty. Curt Manufacturing Inc.'s liability is limited to repair or replacement of products found to be defective, and specifically excludes liability for incidental or consequential loss or damage.