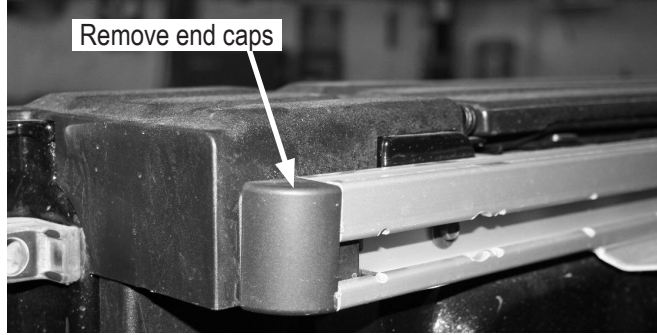


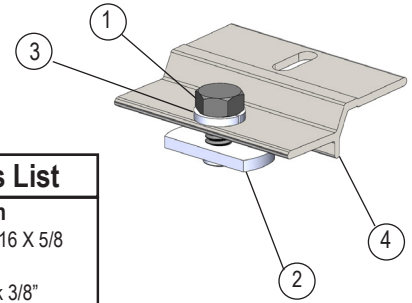
NOTICE

ASSEMBLY OF DODGE RAMBOX™ COVER TO TRUCK

STEP 1. Remove the end cap from the driver side cargo rail.



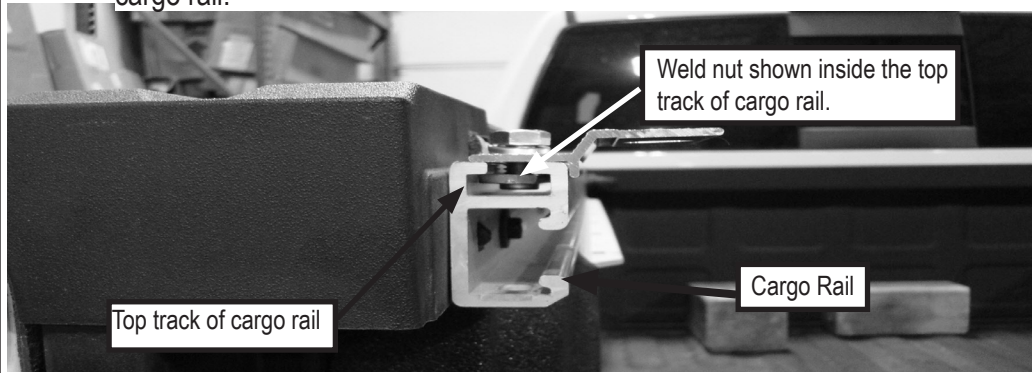
STEP 2. Assemble hardware as shown.



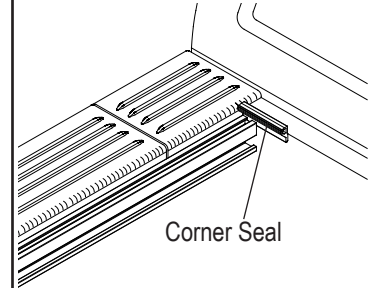
Replacement Parts List

Item	Part #	Description
1.	1704353	SCREW 3/8-16 X 5/8
2.	1704373	Weld Nut 3/8
3.	1704374	Washer, Lock 3/8"
4.	1705938	Clamp Bracket Rambox

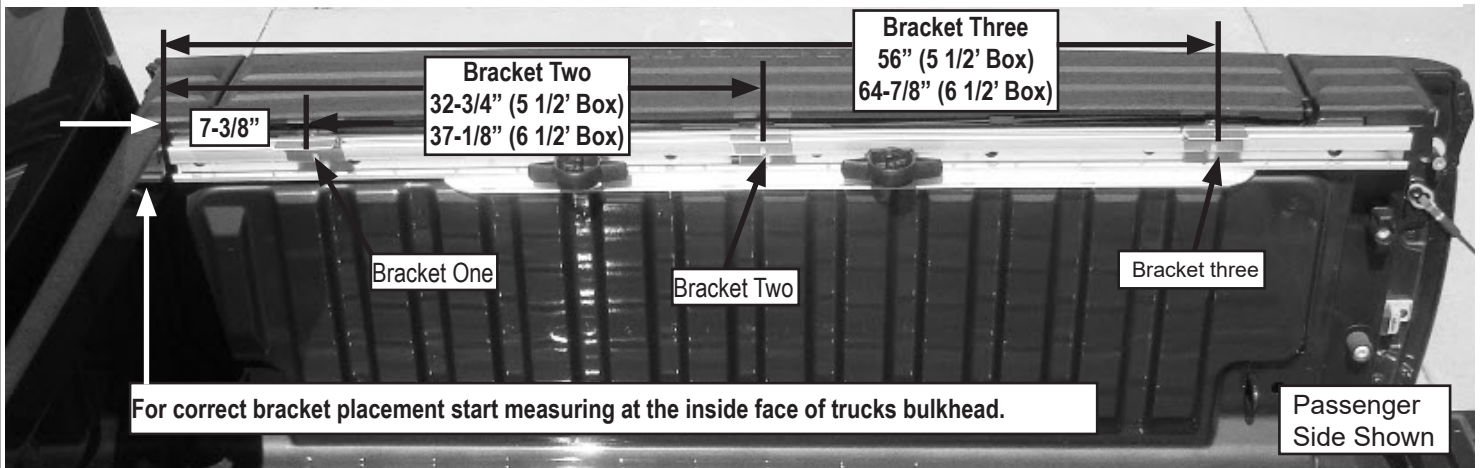
STEP 3. Slide three assembled brackets into each track of the driver and passenger side cargo rail.



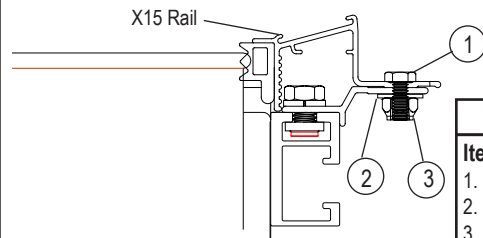
STEP 4. Apply corner seal to front inside corner of box.



STEP 5. Starting from the front bulkhead of the Rambox™ place brackets at the dimensions shown and then tighten.



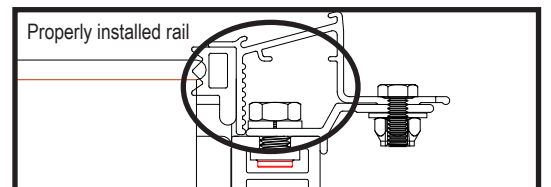
STEP 6. Fasten the X15 rail to the brackets with the hardware shown.



Replacement Parts List

Item	Part #	Description
1.	1703852	SCREW 1/4-20 X 5/8
2.	1700427	Washer 1/4
3.	1701543	Nut 1/4-20

NOTE: If your rail is tilting inward or sitting too high make sure your rail is sitting beside bolt head as shown and **NOT ON TOP.**



STEP 7.

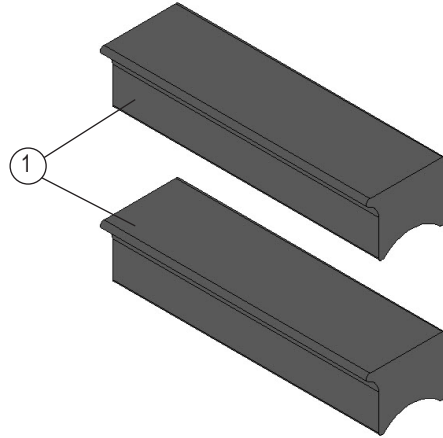
Follow steps 1 through 6 to mount the driver side rail. After the side rails are attached insert the plastic cargo rail end caps. Refer to the owners manual for instructions on how to attach the cover assembly and for other operations of the truck bed cover.

ADDITIONAL SEALING AROUND TAILGATE

STEP 1. Apply seal 1118531 to bed caps as shown in the next two steps to help seal gap between bed cap and tailgate.

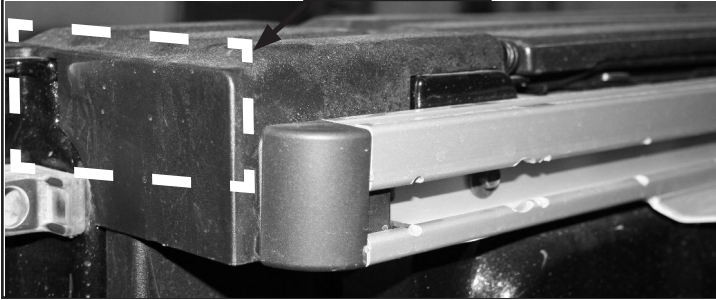
Replacement Parts List

Item	Part #	Description
1.	1118531	EXTRUDED WEATHER SEAL_RBR_4.50



STEP 2. Once X15 Rails are installed, clean the area shown below on Driver and Passenger side with wet rag.

Clean this area.



STEP 3. Apply Seal on Driver and Passenger Side as shown below.

