

11312

FORD MUSTANG V6 (EXCLUDING V8)

11/11/2020

GROSS LOAD CAPACITY WHEN USED AS A WEIGHT CARRYING HITCH: 2,000 LBS. TRAILER WEIGHT & 200 LBS. TONGUE WEIGHT.

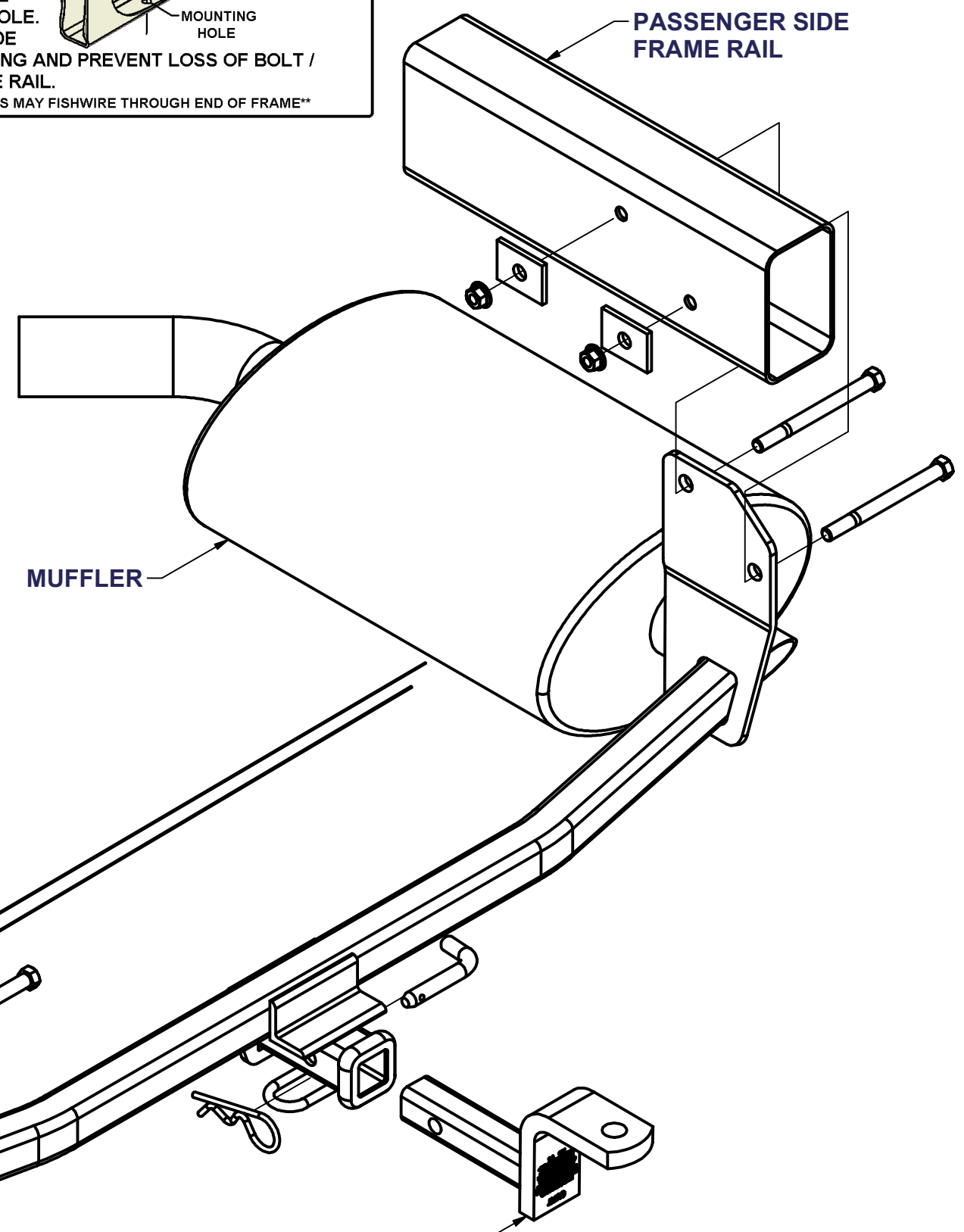
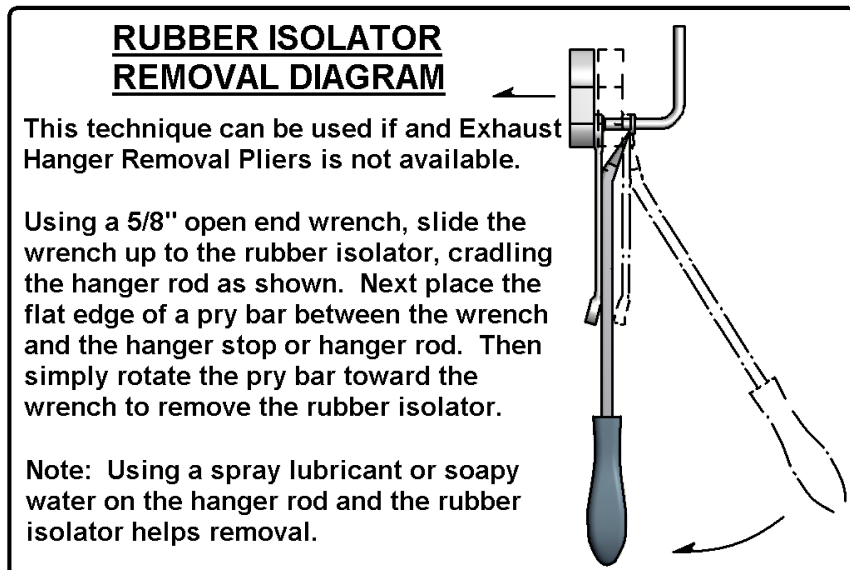
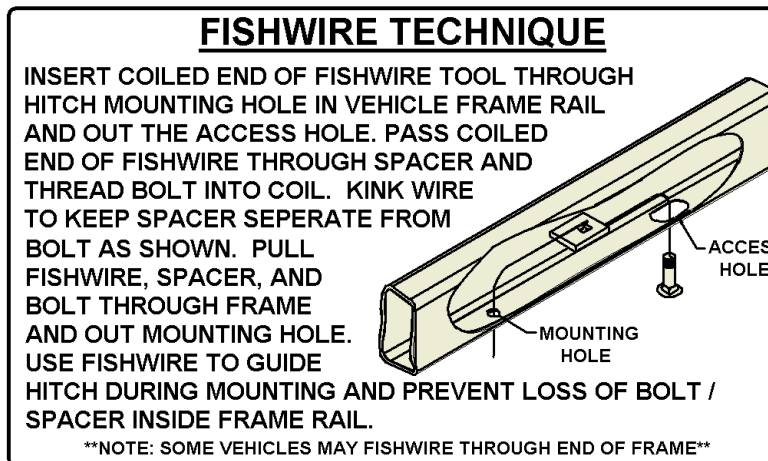
DO NOT EXCEED VEHICLE MANUFACTURER'S RECOMMENDED TOWING CAPACITY.

WARNING: ALL NON-TRAILER LOADS APPLIED TO THIS PRODUCT MUST BE SUPPORTED BY AUXILIARY STABILIZING STRAPS.

** FAILURE TO PROPERLY SUPPORT NON-TRAILER LOADS WILL VOID PRODUCT WARRANTY**

HAVING INSTALLATION QUESTIONS? CALL TECHNICAL SUPPORT AT 877-287-8634

Parts List			
ITEM	QTY	PART NUMBER	DESCRIPTION
1	1	10-10282	BOLT,CAR,7/16-14 UNC,1-1/2,GRD8,YZ
2	4	CM-SP32	.188 x 1.50 x 2.00" ROUND HOLE SPACER
3	1	CM-SP2	.250 x .88 x 2.25" SQUARE HOLE SPACER
4	5	20-00103	NUT,SER-FLANGE,7/16-14 UNC,GRD8,YZ
5	4	10-10536	7/16-14 x 5 HEX BOLT
6	1	7_16 FISHWIRE	7/16" FISHWIRE



DESIGNED FOR USE WITH BALLMOUNT #55001 / 45501

HITCH WEIGHT: 32 LBS.
 INSTALL TIME
 PROFESSIONAL: 30 MINUTES
 NOVICE (DIY): 60 MINUTES
 INSTALL NOTES:
 NO DRILLING REQUIRED

INSTALLATION STEPS

- 1) Remove (2) rear exhaust hangers for ease of installation. (Re-use after install)
- 2) Raise hitch into position as shown and secure with 7/16" carriage bolts, spacers, and flange nuts.
- 3) Fishwire 7/16" carriage bolt and spacer through access hole in driver side frame rail, out existing hole and hitch mount as shown, secure with flange nut.
- 4) Torque all 7/16" fasteners to 59 lb-ft.
- 5) Reinstall exhaust hangers removed in step 1.

PERIODICALLY CHECK THIS RECEIVER HITCH TO ENSURE THAT ALL FASTENERS ARE TIGHT AND THAT ALL STRUCTURAL COMPONENTS ARE SOUND.

Curt Manufacturing Inc., warrants this product to be free of defects in material and/or workmanship at the time of retail purchase by the original purchaser. If the product is found to be defective, Curt Manufacturing Inc., may repair or replace the product, at their option, when the product is returned, prepaid, with proof of purchase. Alteration to, misuse of, or improper installation of this product voids the warranty. Curt Manufacturing Inc.'s liability is limited to repair or replacement of products found to be defective, and specifically excludes liability for incidental or consequential loss or damage.