

11729**90-97 MAZDA MIATA CONVERTIBLE**

11/24/2020

GROSS LOAD CAPACITY WHEN USED AS A WEIGHT CARRYING HITCH: 2,000 LBS. TRAILER WEIGHT & 200 LBS. TONGUE WEIGHT.

*****DO NOT EXCEED VEHICLE MANUFACTURER'S RECOMMENDED TOWING CAPACITY.*****

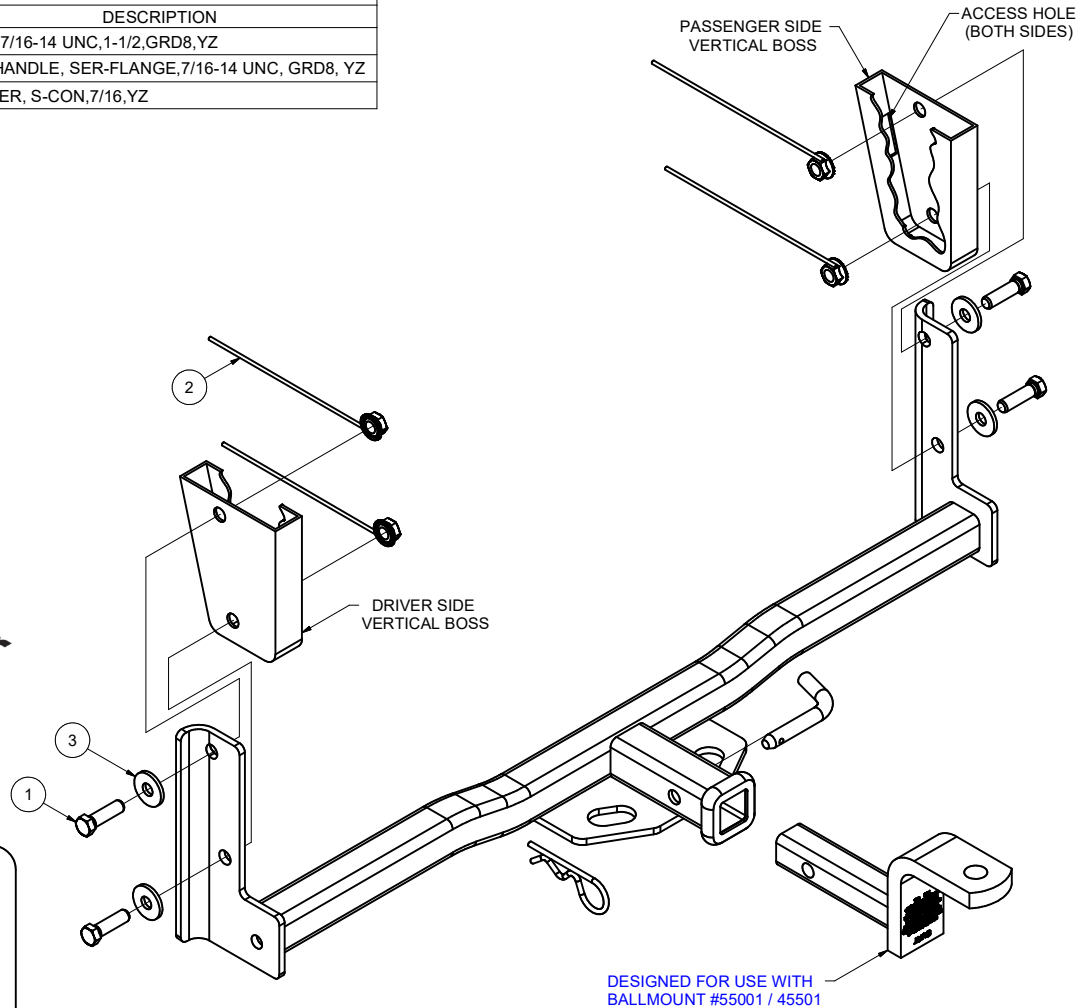
WARNING: ALL NON-TRAILER LOADS APPLIED TO THIS PRODUCT MUST BE SUPPORTED BY 18050 STABILIZING STRAPS.

**** FAILURE TO PROPERLY SUPPORT NON-TRAILER LOADS WILL VOID PRODUCT WARRANTY****

HAVING INSTALLATION QUESTIONS? CALL TECHNICAL SUPPORT AT 1-877-287-8634

		Parts List	
ITEM	QTY	PART NUMBER	DESCRIPTION
1	4	10-10415	HHCS, 7/16-14 UNC, 1-1/2, GRD8, YZ
2	4	20-00172	NUT, HANDLE, SER-FLANGE, 7/16-14 UNC, GRD8, YZ
3	4	30-00163	WASHER, S-CON, 7/16, YZ

FRONT
↕
REAR



HITCH WEIGHT: 21 LBS.

INSTALL TIME

PROFESSIONAL: 30 MINUTES

NOVICE (DIY): 60 MINUTES

INSTALL NOTES:

- NO DRILLING REQUIRED
- TRIMMING MAY BE REQUIRED

INSTALLATION STEPS

1. A trimming of rear bumper fascia material may be necessary. This may occur at outer ends of hitch where bottom edge of fascia is close. Skirt fastened to bottom of fascia on some models may have to be removed or trimmed in center to allow for receiver.
2. Under the rear of the car locate the vertical bosses with the tie down brackets bolted to them. The tie down brackets do not have to be removed. The hitch will bolt to existing holes on the outside surface of each boss as shown.
3. Raise the hitch into position as shown. Install fasteners as shown by inserting handle nuts through access holes in bosses and securing hitch with hex bolts and washers provided.
4. Torque all 7/16" hardware to 70 lb.-ft.

PERIODICALLY CHECK THIS RECEIVER HITCH TO ENSURE THAT ALL FASTENERS ARE TIGHT AND THAT ALL STRUCTURAL COMPONENTS ARE SOUND.

Curt Manufacturing Inc., warrants this product to be free of defects in material and/or workmanship at the time of retail purchase by the original purchaser. If the product is found to be defective, Curt Manufacturing Inc., may repair or replace the product, at their option, when the product is returned, prepaid, with proof of purchase. Alteration to, misuse of, or improper installation of this product voids the warranty. Curt Manufacturing Inc.'s liability is limited to repair or replacement of products found to be defective, and specifically excludes liability for incidental or consequential loss or damage.