



Safety glasses should be worn at all times while installing this product.

YEARS: \*VARIES\*

MAKE: CHEVROLET, BUICK, CADILLAC

MODEL: IMPALA, MALIBU, REGAL, LACROSSE, XTS

STYLE: SEDAN

**WARNING: NEVER EXCEED YOUR VEHICLE MANUFACTURER'S RECOMMENDED TOWING CAPACITY**







**WEIGHT CARRYING:**  
 TRAILER WEIGHT: 3500 LBS.  
 TONGUE WEIGHT: 350 LBS.

**WARNING:**  
 WE RECOMMEND THE USE OF 18050 STABILIZING STRAPS FOR ALL NON-TRAILER (WHEEL-LESS) LOADS. PLEASE SEE THE CURT CATALOG OR VISIT US ONLINE AT [WWW.CURTMFG.COM](http://WWW.CURTMFG.COM) FOR FURTHER INFORMATION.

**PRO INSTALL TIME: 25 MIN.**  
**NOVICE INSTALL TIME: 50 MIN.**

IF YOU ARE HESITANT TO UNDERTAKE THIS TASK ON YOUR OWN, CONTACT AN AUTHORIZED CURT INSTALLER FOR ADDITIONAL ASSISTANCE.


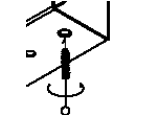

**INSTALLATION REQUIRES:**

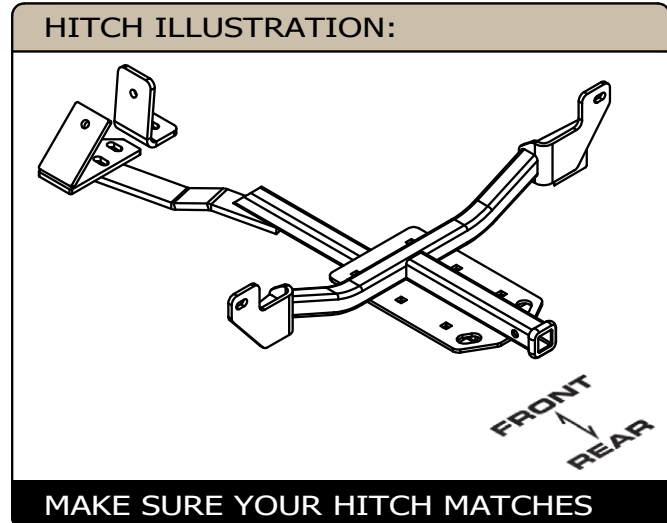
 <b>RATCHET</b>	 <b>TORQUE WRENCH</b>	 <b>13mm 3/4"</b> <b>SOCKETS</b>
 <b>WIRE PIPE BRUSH</b>	 <b>AVIATION SHEARS</b>	 <b>DRILL BIT 1/2"</b>
 <b>POWER DRILL</b>	 <b>SAFETY GLASSES</b>	

**INSTALLATION TIPS:**

- BEFORE YOU BEGIN INSTALLATION, READ ALL INSTRUCTIONS THOROUGHLY.
- TO EASE INSTALLATION, 2 PEOPLE MAY BE REQUIRED.
- USING PROPER TOOLS WILL GREATLY IMPROVE THE QUALITY OF THE INSTALL AND REDUCE THE TIME REQUIRED.
- NEED HELP OR HAVE SOME QUESTIONS? CALL TECHNICAL SUPPORT AT 800.798.0813

**LEVEL OF DIFFICULTY: MODERATE**

EASY	MODERATE	CHALLENGING
	-HOLE ENLARGEMENT REQUIRED ON SELECT MODELS	
	-USE EXISTING WELDNUTS	
	-TRIM REQUIRED ON SELECT MODELS	



**PERIODICALLY CHECK THIS RECEIVER HITCH TO ENSURE ALL FASTENERS ARE TIGHT AND ALL STRUCTURAL COMPONENTS ARE SOUND**

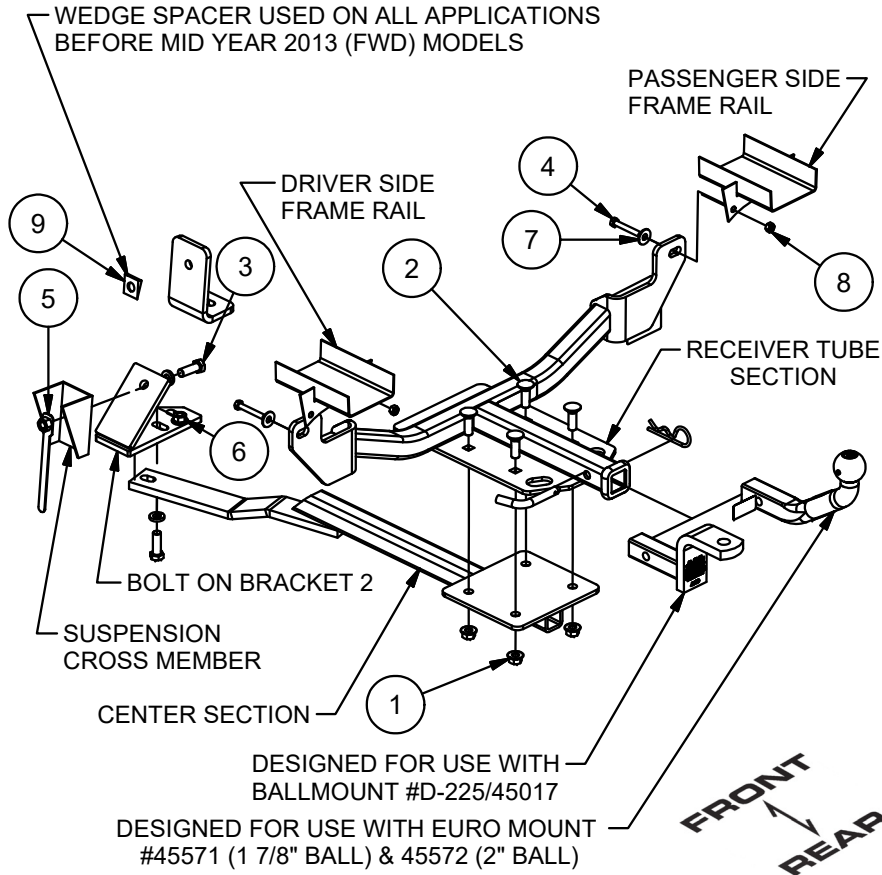
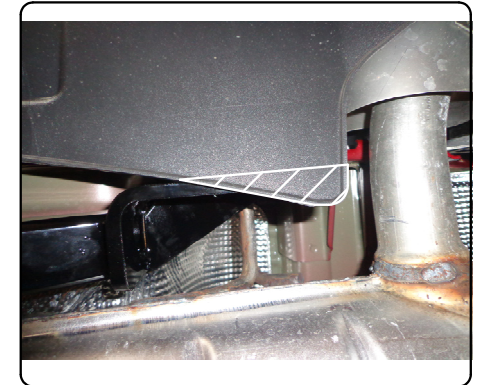
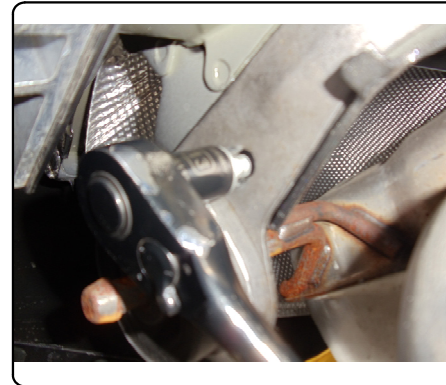
CURT Manufacturing LLC. warrants this product to be free of defects in material and/or workmanship at the time of retail purchase by the original purchaser. If the product is found to be defective, Curt Manufacturing LLC. may repair or replace the product at their option, when the product is returned, prepaid, with proof of purchase. Alteration to, misuse of, or improper installation of this product voids the warranty. Curt Manufacturing LLC.'s liability is limited to repair or replacement of products found to be defective, and specifically excludes liability for incidental or consequential loss or damage.

For more information log onto [www.curtmfg.com](http://www.curtmfg.com), & for helpful towing tips log onto [www.hitchinfo.com](http://www.hitchinfo.com)

## INSTALLATION WALKTHROUGH:

Parts List			
ITEM	QTY	PART NUMBER	DESCRIPTION
1	5	HFN 1213, GR8	HEX FLANGE NUT
2	4	1/2-13 x 1 1/2, GR8	CARRIAGE BOLT
3	2	1_2 - 13 x 1 1_2 HEX, GR8	HEX BOLT
4	2	M8 - 1.25 x 55mm	HEX BOLT DIN 933
5	1	1/2-13	HANDLE NUT
6	2	1/2"	LOCK WASHER
7	2	3/8"	CONICAL TOOTHED WASHER
8	2	M8-1.25	HEX NUT
9	1	CM-SP38	1/2" WEDGE SPACER

1. Remove (1) 8mm bolt from the exhaust hanger bracket on each side of the vehicle, and clean weldnut using a wire brush or spray lubricant. On Impala models only trim approximately a 1 1/4 inch deep notch from each side of the bottom bumper fascia (As shown).

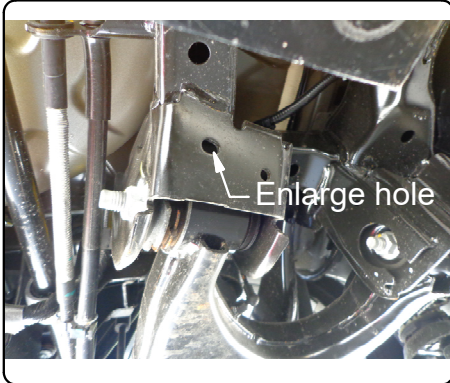


2. Raise receiver tube section of hitch into place and use the 8mm bolts and conical toothed washers provided to secure into place. Secure the 8mm nut to the back side of the frame bracket on each side to hold the exhaust bracket in place.

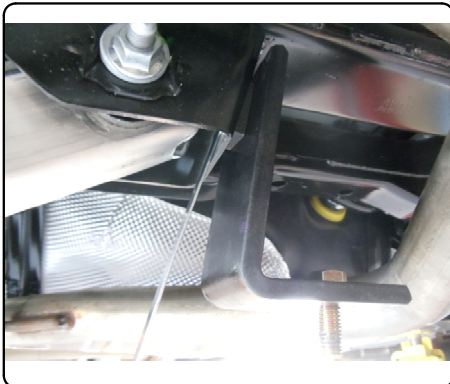


## INSTALLATION WALKTHROUGH:

3. On Buick Lacrosse (AWD) and Cadillac XTS models enlarge the rearward hole in the suspension cross member to 1/2" (as shown).



4. Assemble the bolt on bracket as shown by placing the handle nut in the suspension housing and securing with a 1/2" bolt and lock washer. (Shown below is the bolt on bracket (1) used on (FWD) vehicles built before mid year, 2013. The bolt on bracket (2) is used on all (AWD) and (FWD) models built 2013 mid year to present.)



5. Raise the center section of the hitch into place and loosely secure the (5) 1/2" hardware components that hold it into place. Torque 1/2" bolt with handle nut to 75 lb-ft, all other 1/2" hardware to 110 lb-ft, and torque 8mm hardware to 23 lb-ft.



6. Installation is complete.



# CHEVROLET IMPALA AND MALIBU BUICK REGAL AND LACROSSE CADILLAC XTS

12115

5/9/2019

PAGE 1 of 2

GROSS LOAD CAPACITY WHEN USED AS A WEIGHT CARRYING HITCH: 3500 LBS. TRAILER WEIGHT & 350 LBS. TONGUE WEIGHT.

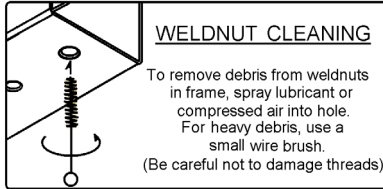
**\*\*\*DO NOT EXCEED VEHICLE MANUFACTURER'S RECOMMENDED TOWING CAPACITY.\*\*\***

**WARNING: ALL NON-TRAILER LOADS APPLIED TO THIS PRODUCT MUST BE SUPPORTED BY 18050 STABILIZING STRAPS.**

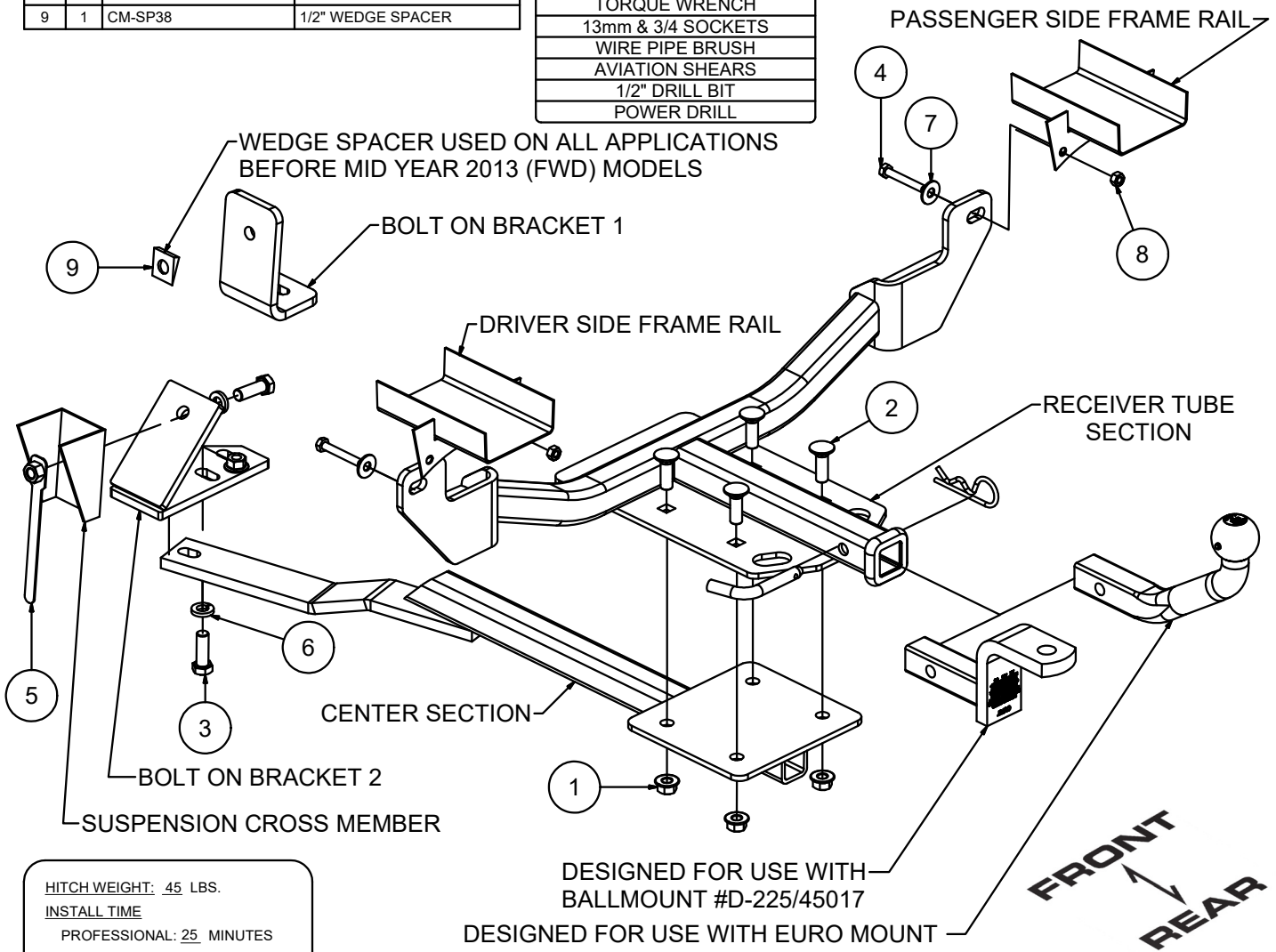
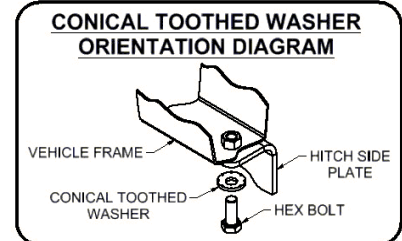
**\*\* FAILURE TO PROPERLY SUPPORT NON-TRAILER LOADS WILL VOID PRODUCT WARRANTY\*\***

HAVING INSTALLATION QUESTIONS? CALL TECHNICAL SUPPORT AT 1-800-798-0813

Parts List			
ITEM	QTY	PART NUMBER	DESCRIPTION
1	5	HFN 1213, GR8	HEX FLANGE NUT
2	4	1/2-13 x 1 1/2, GR8	CARRIAGE BOLT
3	2	1_2 - 13 x 1 1_2 HEX, GR8	HEX BOLT
4	2	M8 - 1.25 x 55mm	HEX BOLT DIN 933
5	1	1/2-13	HANDLE NUT
6	2	1/2"	LOCK WASHER
7	2	3/8"	CONICAL TOOTHED WASHER
8	2	M8-1.25	HEX NUT
9	1	CM-SP38	1/2" WEDGE SPACER



TOOLS REQUIRED
RATCHET
TORQUE WRENCH
13mm & 3/4 SOCKETS
WIRE PIPE BRUSH
AVIATION SHEARS
1/2" DRILL BIT
POWER DRILL



HITCH WEIGHT: 45 LBS.

**INSTALL TIME**

PROFESSIONAL: 25 MINUTES

NOVICE (DIY): 50 MINUTES

**INSTALL NOTES:**

- HOLE ENLARGEMENT REQUIRED ON SELECT MODELS
- USE EXISTING WELDNUTS
- TRIM REQUIRED ON SELECT MODELS

DESIGNED FOR USE WITH BALLMOUNT #D-225/45017

DESIGNED FOR USE WITH EURO MOUNT #45571 (1 7/8" BALL) & 45572 (2" BALL)

**PERIODICALLY CHECK THIS RECEIVER HITCH TO ENSURE THAT ALL FASTENERS ARE TIGHT AND THAT ALL STRUCTURAL COMPONENTS ARE SOUND.**

Curt Manufacturing LLC., warrants this product to be free of defects in material and/or workmanship at the time of retail purchase by the original purchaser. If the product is found to be defective, Curt Manufacturing LLC., may repair or replace the product, at their option, when the product is returned, prepaid, with proof of purchase. Alteration to, misuse of, or improper installation of this product voids the warranty. Curt Manufacturing LLC.'s liability is limited to repair or replacement of products found to be defective, and specifically excludes liability for incidental or consequential loss or damage.

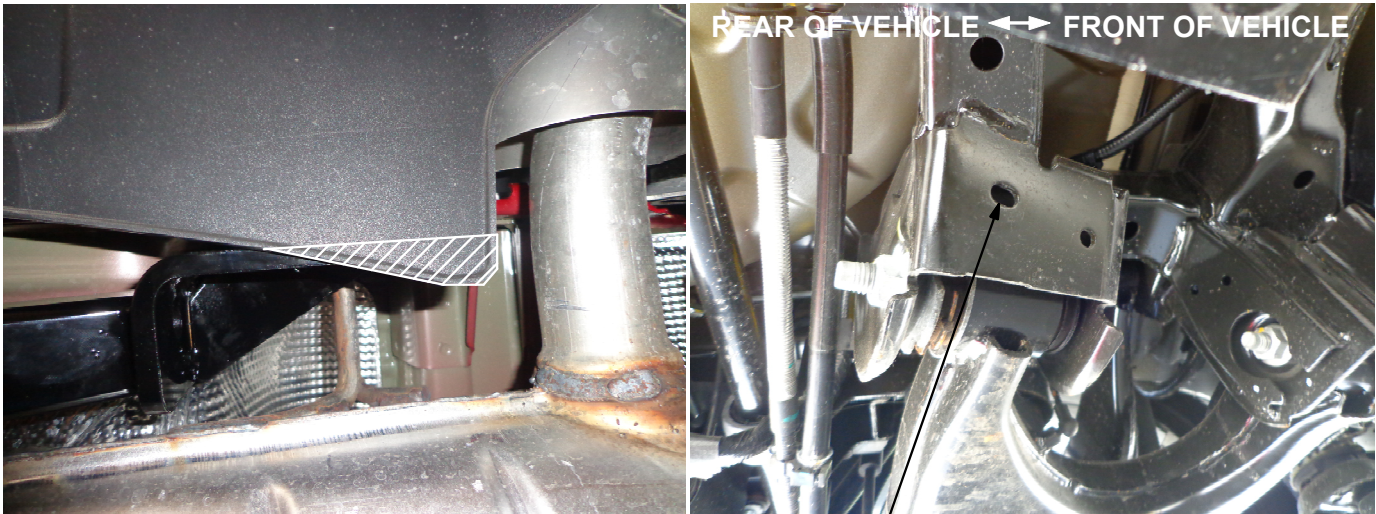
12115

**CHEVROLET IMPALA AND MALIBU  
BUICK REGAL AND LACROSSE  
CADILLAC XTS**

5/9/2019

PAGE 2 of 2

HAVING INSTALLATION QUESTIONS? CALL TECHNICAL SUPPORT AT 1-800-798-0813



TRIM DIAGRAM

ENLARGE THIS HOLE  
(STEP 3) IF REQUIRED

**INSTALLATION STEPS**

1. Remove (1) 8mm bolt from the exhaust hanger bracket on each side of the vehicle, and clean weldnut using a wire brush or spray lubricant. On Impala models only trim approximately a 1 1/4 inch deep notch from each side of the bumper fascia (As shown).
2. Raise receiver tube section of hitch into place and use the 8mm bolts and conical toothed washers provided to secure into place. Secure the 8mm nut to the back side of the frame bracket on each side to hold the exhaust bracket in place.
3. On Buick Lacrosse (AWD) and Cadillac XTS models enlarge the hole in the suspension cross member to 1/2" (as shown).
4. Assemble the bolt on bracket as shown by placing the handle nut in the suspension housing and securing with a 1/2" bolt and lock washer. (Shown above is the bolt on bracket (1) used on (FWD) vehicles built before mid year, 2013. The bolt on bracket (2) is used on all (AWD) and (FWD) models built 2013 mid year to present.)
5. Raise the center section of the hitch into place and secure the (5) 1/2" hardware components that hold it into place. Torque 1/2" bolt with handle nut to 75 lb-ft, all other 1/2" hardware to 110 lb-ft, and torque 8mm hardware to 23 lb-ft.

**PERIODICALLY CHECK THIS RECEIVER HITCH TO ENSURE THAT ALL FASTENERS  
ARE TIGHT AND THAT ALL STRUCTURAL COMPONENTS ARE SOUND.**

Curt Manufacturing LLC., warrants this product to be free of defects in material and/or workmanship at the time of retail purchase by the original purchaser. If the product is found to be defective, Curt Manufacturing LLC., may repair or replace the product, at their option, when the product is returned, prepaid, with proof of purchase. Alteration to, misuse of, or improper installation of this product voids the warranty. Curt Manufacturing LLC.'s liability is limited to repair or replacement of products found to be defective, and specifically excludes liability for incidental or consequential loss or damage.