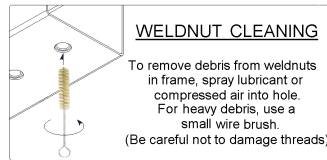


12126**KIA SPORTAGE / HYUNDAI TUCSON**

10/1/2012

GROSS LOAD CAPACITY WHEN USED AS A WEIGHT CARRYING HITCH: 3500 LBS. TRAILER WEIGHT & 300 LBS. TONGUE WEIGHT.
*****DO NOT EXCEED VEHICLE MANUFACTURER'S RECOMMENDED TOWING CAPACITY.*****

| Parts List | | | |
|------------|-----|---------------|------------------------|
| ITEM | QTY | PART NUMBER | DESCRIPTION |
| 1 | 6 | M10-1.25 x 35 | HEX TAP BOLT |
| 2 | 6 | 3/8" | CONICAL TOOTHED WASHER |

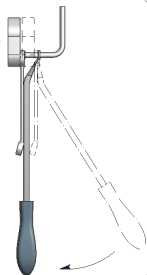
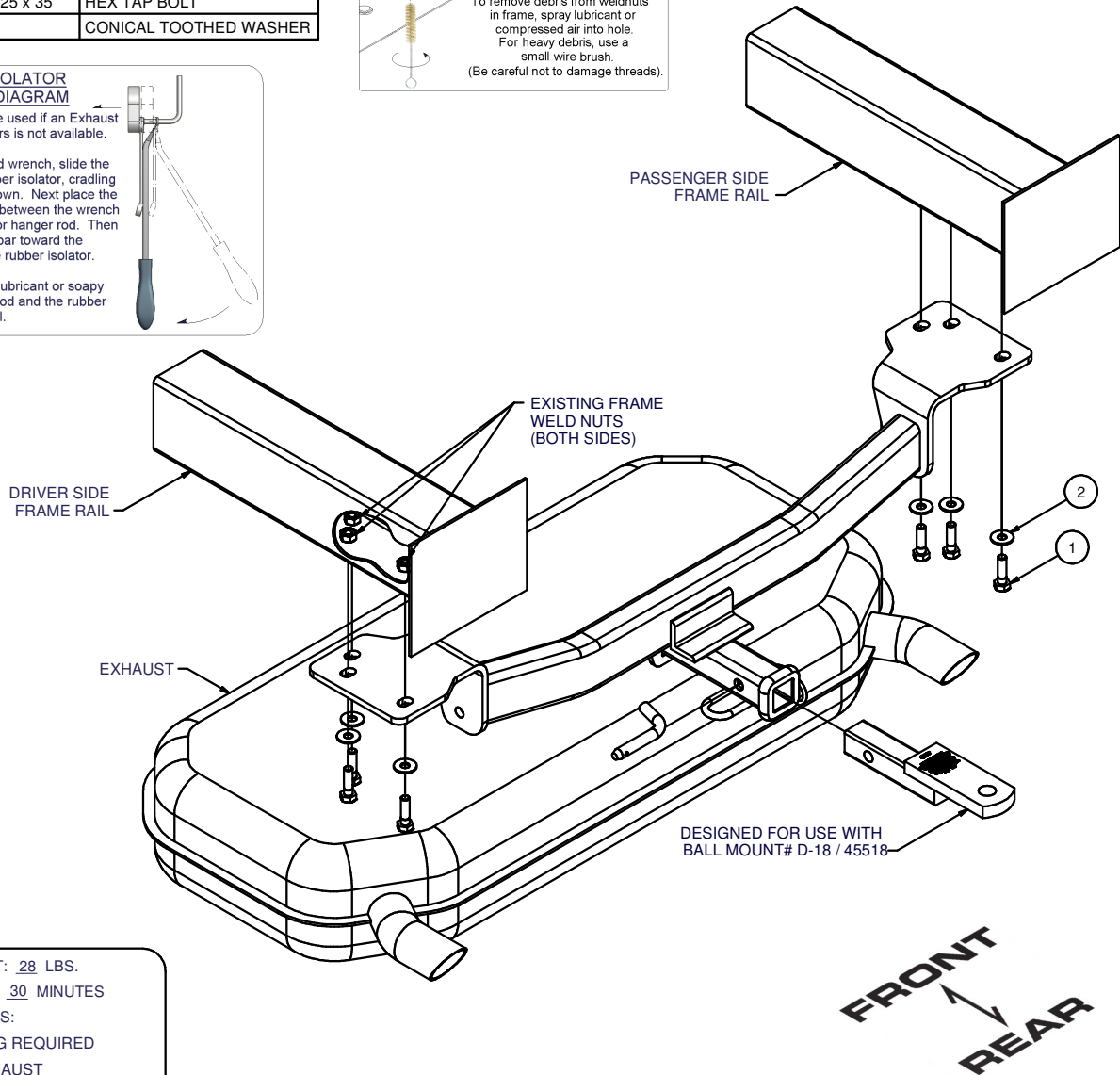


RUBBER ISOLATOR REMOVAL DIAGRAM

This technique can be used if an Exhaust Hanger Removal Pliers is not available.

Using a 5/8" open end wrench, slide the wrench up to the rubber isolator, cradling the hanger rod as shown. Next place the flat edge of a pry bar between the wrench and the hanger stop or hanger rod. Then simply rotate the pry bar toward the wrench to remove the rubber isolator.

Note: Using a spray lubricant or soapy water on the hanger rod and the rubber isolator helps removal.

HITCH WEIGHT: 28 LBS.
 INSTALL TIME: 30 MINUTES
 INSTALL NOTES:
 - NO DRILLING REQUIRED
 - LOWER EXHAUST
 - REMOVE TOW HOOKS

INSTALLATION STEPS

- 1) Remove exhaust hangers and lower exhaust for ease of installation.
- 2) Remove tow hooks and return to customer.
- 3) Raise hitch into position and secure with hex bolts and conical washers through existing weldnuts in frame rails.
- 4) Torque all 10mm fasteners to 48 lb-ft.
- 5) Reinstall exhaust hangers removed in Step 1.

PERIODICALLY CHECK THIS RECEIVER HITCH TO ENSURE THAT ALL FASTENERS ARE TIGHT AND THAT ALL STRUCTURAL COMPONENTS ARE SOUND.

Curt Manufacturing Inc., warrants this product to be free of defects in material and/or workmanship at the time of retail purchase by the original purchaser. If the product is found to be defective, Curt Manufacturing Inc., may repair or replace the product, at their option, when the product is returned, prepaid, with proof of purchase. Alteration to, misuse of, or improper installation of this product voids the warranty. Curt Manufacturing Inc.'s liability is limited to repair or replacement of products found to be defective, and specifically excludes liability for incidental or consequential loss or damage.