



Safety glasses should be worn at all times while installing this product.

YEARS: 2015-PRESENT

MAKE: JEEP

MODEL: RENEGADE

STYLE: SUV

**WARNING: NEVER EXCEED YOUR VEHICLE MANUFACTURER'S RECOMMENDED TOWING CAPACITY**







**WEIGHT CARRYING:**  
 TRAILER WEIGHT: 2000 LBS.  
 TONGUE WEIGHT: 200 LBS.

**WARNING:**  
 WE RECOMMEND THE USE OF 18050 STABILIZING STRAPS FOR ALL NON-TRAILER (WHEEL-LESS) LOADS. PLEASE SEE THE CURT CATALOG OR VISIT US ONLINE AT [WWW.CURTMFG.COM](http://WWW.CURTMFG.COM) FOR FURTHER INFORMATION.

**PRO INSTALL TIME: 15 MIN.**  
**NOVICE INSTALL TIME: 30 MIN.**

IF YOU ARE HESITANT TO UNDERTAKE THIS TASK ON YOUR OWN, CONTACT AN AUTHORIZED CURT INSTALLER FOR ADDITIONAL ASSISTANCE.


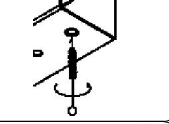
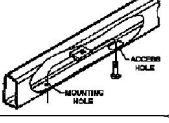
**INSTALLATION REQUIRES:**

|   |  |  |
|---|--|--|
| <br><b>RATCHET</b>                        | <br><b>22mm 11/16"</b><br><b>SOCKET</b> | <br><b>T25 TORXBIT SOCKET</b> |
| <br><b>8"</b><br><b>SOCKET EXTENSION</b> | <br><b>DIE GRINDER</b>                 | <br><b>TORQUE WRENCH</b>     |
|   |  |  |
|   |  |  |

**INSTALLATION TIPS:**

- BEFORE YOU BEGIN INSTALLATION, READ ALL INSTRUCTIONS THOROUGHLY.
- TO EASE INSTALLATION, 2 PEOPLE MAY BE REQUIRED.
- USING PROPER TOOLS WILL GREATLY IMPROVE THE QUALITY OF THE INSTALL AND REDUCE THE TIME REQUIRED.
- NEED HELP OR HAVE SOME QUESTIONS? CALL TECHNICAL SUPPORT AT 800.798.0813

**LEVEL OF DIFFICULTY: MODERATE**

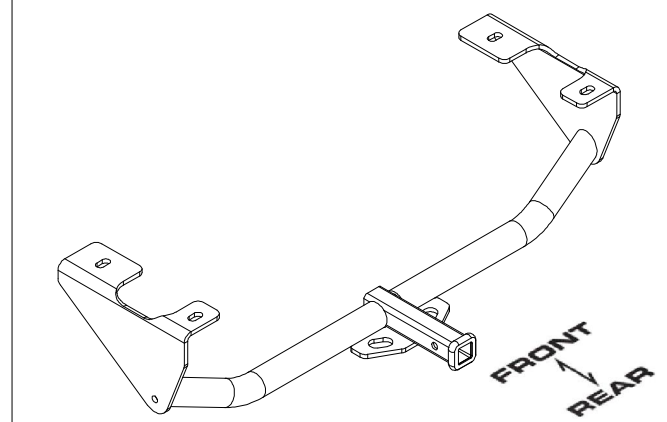
|   |                                  |                    |
|---|----------------------------------|--------------------|
| <b>EASY</b>   | <b>MODERATE</b>                  | <b>CHALLENGING</b> |
|    | <b>HOLE ENLARGEMENT REQUIRED</b> |                    |
|   | <b>WELDNUT CLEANING</b>          |                    |
|  | <b>FISHWIRE</b>                  |                    |
|   |                                  |                    |
|   |                                  |                    |

**VEHICLE PHOTO:**



**REPRESENTATIVE PHOTO**

**HITCH ILLUSTRATION:**



**MAKE SURE YOUR HITCH MATCHES**

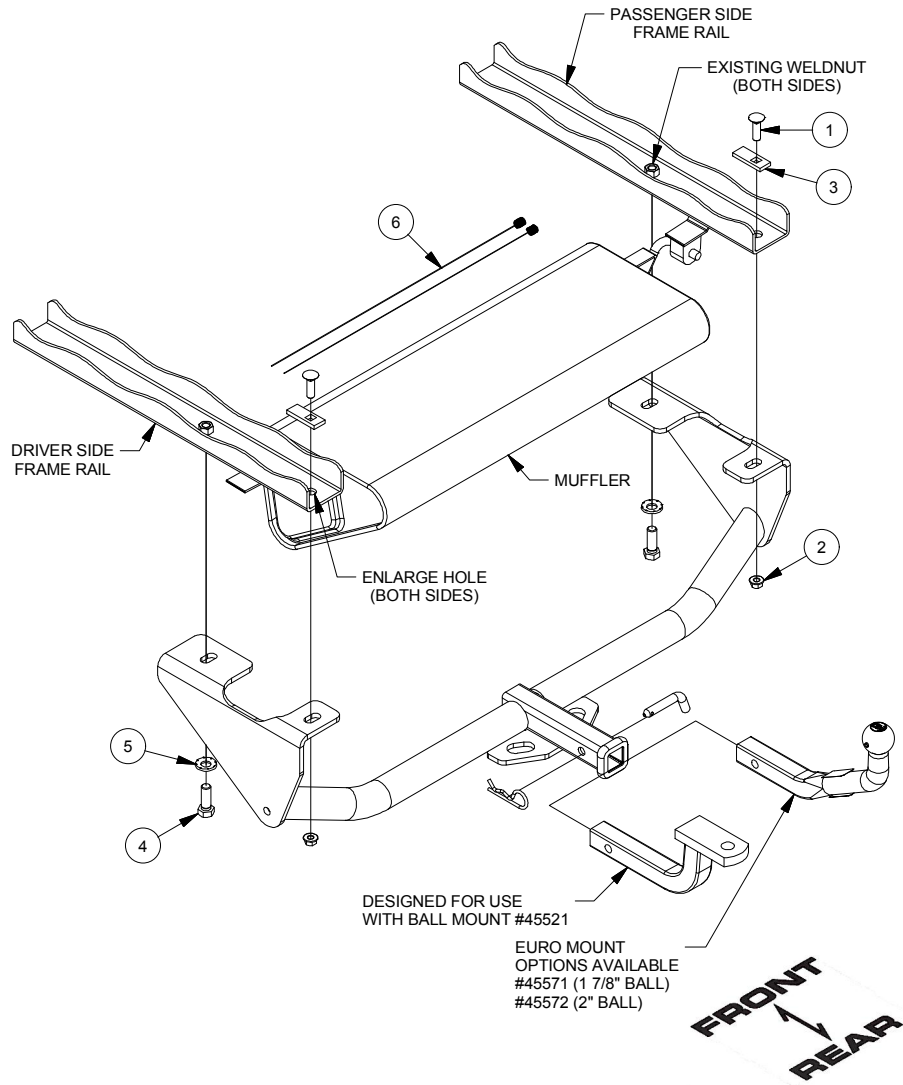


SCAN FOR MORE INFO

**PERIODICALLY CHECK THIS RECEIVER HITCH TO ENSURE ALL FASTENERS ARE TIGHT AND ALL STRUCTURAL COMPONENTS ARE SOUND**  
 CURT Manufacturing LLC. warrants this product to be free of defects in material and/or workmanship at the time of retail purchase by the original purchaser. If the product is found to be defective, CURT Manufacturing LLC. may repair or replace the product at their option, when the product is returned, prepaid, with proof of purchase. Alteration to, misuse of, or improper installation of this product voids the warranty. CURT Manufacturing LLC.'s liability is limited to repair or replacement of products found to be defective, and specifically excludes liability for incidental or consequential loss or damage. For more information log onto [www.curtmfg.com](http://www.curtmfg.com), & for helpful towing tips log onto [www.hitchinfo.com](http://www.hitchinfo.com)

# INSTALLATION WALKTHROUGH:

| Parts List |     |                      |                                       |
|------------|-----|----------------------|---------------------------------------|
| ITEM       | QTY | PART NUMBER          | DESCRIPTION                           |
| 1          | 2   | 7/16-14 x 1 1/2      | CARRIAGE BOLT                         |
| 2          | 2   | 7/16-14              | HEX FLANGE NUT                        |
| 3          | 2   | CM-SP2               | .250 x .88 x 2.25" SQUARE HOLE SPACER |
| 4          | 2   | M14-2 x 40mm LG.     | HEX BOLT                              |
| 5          | 2   | 9/16" CONICAL WASHER | CONICAL TOOTHED WASHER                |
| 6          | 2   | 7_16 FISHWIRE        | 7/16" FISHWIRE                        |



1. Remove the rear rubber plugs on each side by hand. Remove the front plastic plugs on each side with a T25 socket.



2. Enlarge the rearmost hole with the die grinder on each frame rail to allow the carriage bolts and spacers to be inserted into the frame rail. (See Hole Enlargement Diagram.)

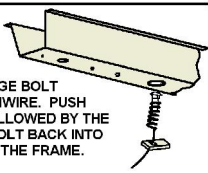


## INSTALLATION WALKTHROUGH:

3. Reverse Fishwire the 7/16" carriage bolt and CM-SP2 into the rearmost hole on driver and passenger side of vehicle. (See Reverse Fishwire Technique.)

### REVERSE PULL FISHWIRE TECHNIQUE

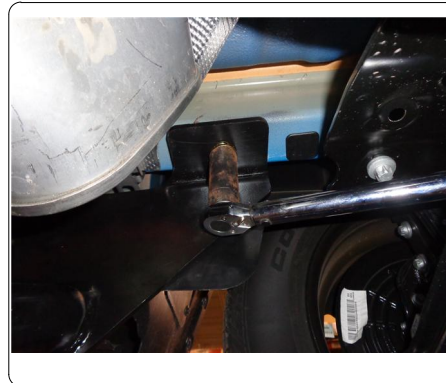
ATTACH FISHWIRE TO CARRIAGE BOLT AND SLIDE SPACER ONTO FISHWIRE. PUSH THE BOLT THRU THE HOLE FOLLOWED BY THE SPACER (AS SHOWN). PULL BOLT BACK INTO POSITION, PROTRUDING FROM THE FRAME.



4. Raise the hitch into position. Center the hitch on the vehicle and loosely secure the hitch to the vehicle, remove fishwire, and loosely secure the hitch with hex flange nuts using an 11/16" socket. Loosely secure the conical washers and hex bolts using a 22mm socket as shown.



5. Torque all 7/16" hardware to 60 ft.-lbs. Torque all M14 hardware to 125 ft.-lbs.



## TOWING SAFETY INFORMATION

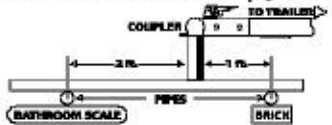
### Gross Trailer Weight / GTW

The Gross Trailer Weight is the weight of the trailer & cargo. Measure this by putting the fully loaded trailer on a vehicle scale.



### Tongue Weight / TW

The downward force that is exerted on the hitch ball by the coupler. The tongue weight will vary depending on where the load is positioned in relationship to the trailer axle(s). To measure the tongue weight, use either a commercial scale or a bathroom scale with the coupler at towing height. When using a bathroom scale with heavier tongue weights, use the method shown and multiply the scale reading by 3.



### Weight Carrying / WC

The total weight of both the trailer and the cargo inside. Never exceed the weight capacity of your trailer hitch.

### Weight Distribution / WD

Used to balance the weight of the cargo between the front and rear wheels throughout the trailer, allowing for better steering, braking, and level riding.



### Sway Control

A device used to reduce the lateral movements of the trailer that are caused by the wind. This works in conjunction with a weight distribution hitch. Do not use this on a class 1 or 2 hitch, or with surge brakes.

### How Much Can You Safely Tow?

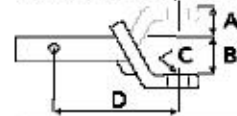
| TONGUE WEIGHT (lb.) | 1500    | 2000 | 3000 | 4000 | 5000 | 6000 | 7000 | 8000 | 10,000 | 12,000 |  |
|---------------------|---------|------|------|------|------|------|------|------|--------|--------|--|
| CLASS 1             | CLASS 1 |      |      |      |      |      |      |      |        |        |  |
| CLASS 2             | CLASS 2 |      |      |      |      |      |      |      |        |        |  |
| CLASS 3             | CLASS 3 |      |      |      |      |      |      |      |        |        |  |
| CLASS 4             | CLASS 4 |      |      |      |      |      |      |      |        |        |  |
| CLASS 5             | CLASS 5 |      |      |      |      |      |      |      |        |        |  |
| <b>Coupler</b>      | 11      | 12   | 13   | 14   | 15   | 16   |      |      |        |        |  |
| Inc.                | 1100    | 1200 | 1300 | 1400 | 1500 | 1600 |      |      |        |        |  |
| <b>Weight</b>       | 17      | 18   | 19   | 20   | 22   | 24   | 26   | 28   | 30     | 32     |  |
| Inc.                | 2100    | 2400 | 2700 | 3000 | 3300 | 3600 | 3900 | 4200 | 4500   | 4800   |  |
| <b>Weight</b>       | 17      | 18   | 19   | 20   | 22   | 24   | 26   | 28   | 30     | 32     |  |
| Inc.                | 2800    | 3200 | 3600 | 4000 | 4400 | 4800 | 5200 | 5600 | 6000   | 6400   |  |
| 5th Wheel           |         |      |      |      |      |      |      |      |        |        |  |

Refer to owner's manual for towing capabilities and limitations.

### Ball Mount

The ball mount is placed inside the opening of the receiver hitch which is mounted to the vehicle. Make sure a hitch pin and clip is properly securing the ball mount to the receiver hitch before you begin towing.

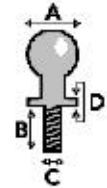
- A: Rise. B: Drop. C: Hole Size. D: Length.



### Trailer Ball

The connection from the hitch to the trailer. There are many factors that determine the correct hitch ball:

- Number one is the hitch ball's gross trailer weight rating.
- The mounting platform must be at least 3/8" thick.
- The hole diameter must not be more than 1/16" larger than the threaded shank.
- Every time you tow, check the nut and lock washer to make sure they are fastened securely.
- A: Ball Dia. B: Shank Length. C: Shank Dia. D: Shank Rise.



### Coupler

The component that is placed over the trailer ball to connect the vehicle to the trailer. Be sure that the coupler size matches the size of the hitch ball and that the coupler handle is securely fastened. To determine what size hitch ball you need for your application you will need to know the size of coupler that is on the trailer. Be sure your coupler is properly adjusted to the ball you are using.

NOTE: For added security the use of safety devices such as Coupler Safety Pins and Locks is strongly recommended.

### Safety Chains

Safety chains are a requirement and should be crossed under the tongue of the trailer so that the tongue will not drop to the road if it becomes separated from the hitch. Always leave enough slack so you can turn. Never allow the safety chains to drag on the ground and never attach the chains to the bumper.

Trailer Classification: Safety Chain Breaking Force - Minimum

Class 1: 2,000 lbs. (8.9 kN)

Class 2: 3,500 lbs. (15.6 kN)

Class 3: 5,000 lbs. (22.2 kN)

The strength rating of each length of safety chain or its equivalent and its attachments shall be equal to or exceed in minimum breaking force the GVWR (Gross Vehicle Weight Rating) of the trailer.

### Electrical

Trailer lights, Electric Brakes, Break-away systems - Every time you tow, be sure to check that all components are working properly.

Wiring identification by color:



CURT DISCLAIMER: WIRING COLOR SHOWN WORK IN CONJUNCTION WITH CURT MANUFACTURING PRODUCTS.

# 12138

# JEEP RENEGADE

2/2/2016

GROSS LOAD CAPACITY WHEN USED AS A WEIGHT CARRYING HITCH: 2000 LBS. TRAILER WEIGHT & 200 LBS. TONGUE WEIGHT.

**\*\*\*DO NOT EXCEED VEHICLE MANUFACTURER'S RECOMMENDED TOWING CAPACITY.\*\*\***

WARNING: ALL NON-TRAILER LOADS APPLIED TO THIS PRODUCT MUST BE SUPPORTED BY 18050 STABILIZING STRAPS.

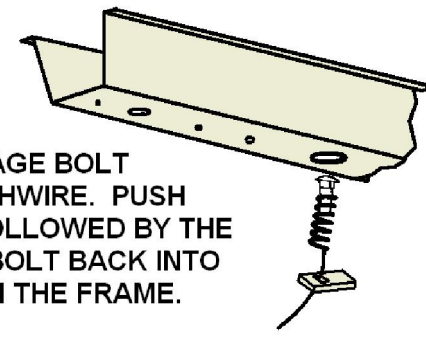
**\*\* FAILURE TO PROPERLY SUPPORT NON-TRAILER LOADS WILL VOID PRODUCT WARRANTY\*\***

HAVING INSTALLATION QUESTIONS? CALL TECHNICAL SUPPORT AT 1-800-798-0813

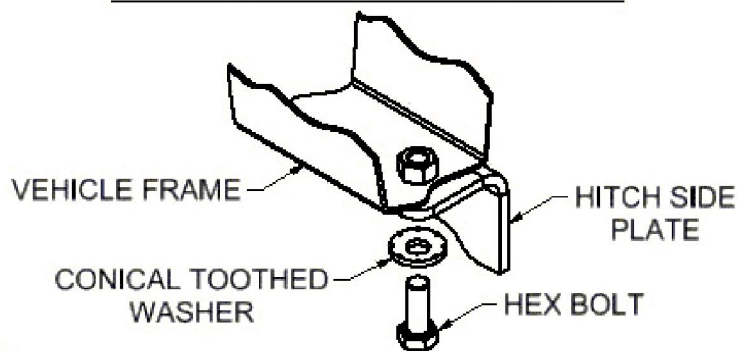
| Parts List |     |                      |                                       |
|------------|-----|----------------------|---------------------------------------|
| ITEM       | QTY | PART NUMBER          | DESCRIPTION                           |
| 1          | 2   | 7/16-14 x 1 1/2      | CARRIAGE BOLT                         |
| 2          | 2   | 7/16-14              | HEX FLANGE NUT                        |
| 3          | 2   | CM-SP2               | .250 x .88 x 2.25" SQUARE HOLE SPACER |
| 4          | 2   | M14-2 x 40mm LG.     | HEX BOLT                              |
| 5          | 2   | 9/16" CONICAL WASHER | CONICAL TOOTHED WASHER                |
| 6          | 2   | 7_16 FISHWIRE        | 7/16" FISHWIRE                        |

### REVERSE PULL FISHWIRE TECHNIQUE

ATTACH FISHWIRE TO CARRIAGE BOLT AND SLIDE SPACER ONTO FISHWIRE. PUSH THE BOLT THRU THE HOLE FOLLOWED BY THE SPACER (AS SHOWN). PULL BOLT BACK INTO POSITION, PROTRUDING FROM THE FRAME.

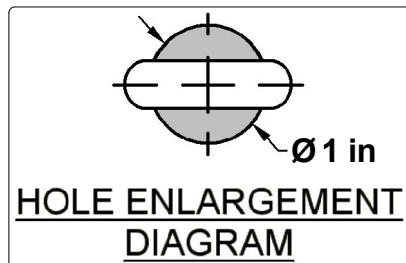
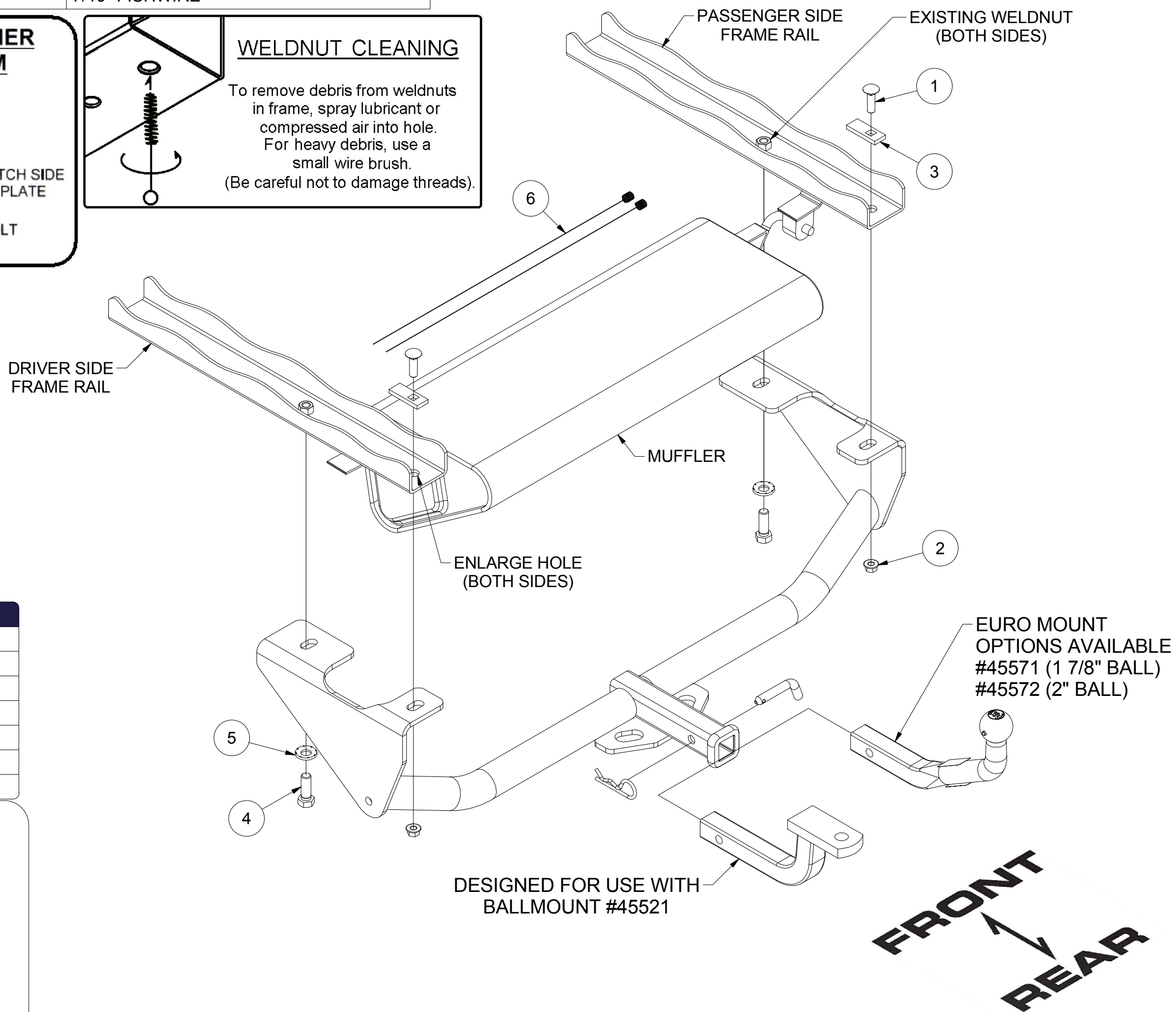
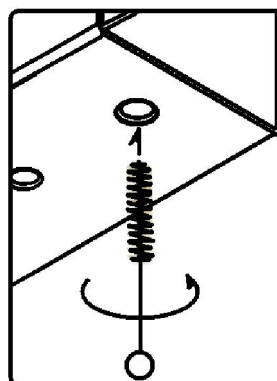


### CONICAL TOOTHED WASHER ORIENTATION DIAGRAM



### WELDNUT CLEANING

To remove debris from weldnuts in frame, spray lubricant or compressed air into hole. For heavy debris, use a small wire brush. (Be careful not to damage threads).



| TOOLS REQUIRED |
|----------------|
| RATCHET        |
| TORQUE WRENCH  |
| T25 SOCKET     |
| 22mm SOCKET    |
| 11/16" SOCKET  |
| 8" EXTENSION   |
| DIE GRINDER    |

HITCH WEIGHT: 28 LBS.

#### INSTALL TIME

PROFESSIONAL: 15 MINUTES

NOVICE (DIY): 30 MINUTES

#### INSTALL NOTES:

- HOLE ENLARGEMENT REQUIRED
- REVERSE FISHWIRE HARDWARE
- WELDNUT CLEANING

## INSTALLATION STEPS

1. Remove the rear rubber plugs on each side by hand. Remove the front plastic plugs on each side with a T25 socket.
2. Enlarge the rearmost hole with the die grinder on each frame rail to allow the carriage bolts and spacers to be inserted into the frame rail. (See Hole Enlargement Diagram.)
3. Reverse Fishwire the 7/16" carriage bolt and CM-SP2 into the rearmost hole on driver and passenger side of vehicle. (See Reverse Fishwire Technique.)
4. Raise the hitch into position. Center the hitch on the vehicle and loosely secure the hitch to the vehicle, remove fishwire, and loosely secure the hitch with hex flange nuts using an 11/16" socket. Loosely secure the conical washers and hex bolts using a 22mm socket as shown.
5. Torque all 7/16" hardware to 60 ft.-lbs. Torque all M14 hardware to 125 ft.-lbs.

**PERIODICALLY CHECK THIS RECEIVER HITCH TO ENSURE THAT ALL FASTENERS ARE TIGHT AND THAT ALL STRUCTURAL COMPONENTS ARE SOUND.**



Scan for more information

CURT Manufacturing LLC., warrants this product to be free of defects in material and/or workmanship at the time of retail purchase by the original purchaser. If the product is found to be defective, CURT Manufacturing LLC., may repair or replace the product, at their option, when the product is returned, prepaid, with proof of purchase. Alteration to, misuse of, or improper installation of this product voids the warranty. CURT Manufacturing LLC.'s liability is limited to repair or replacement of products found to be defective, and specifically excludes liability for incidental or consequential loss or damage.