

12189

CHRYSLER SEBRING SEDAN, DODGE AVENGER SEDAN

11/11/2020

EXCLUDING R/T

GROSS LOAD CAPACITY WHEN USED AS A WEIGHT CARRYING HITCH: 3500 LBS. TRAILER WEIGHT & 350 LBS. TONGUE WEIGHT.

*****DO NOT EXCEED VEHICLE MANUFACTURER'S RECOMMENDED TOWING CAPACITY.*****

WARNING: ALL NON-TRAILER LOADS APPLIED TO THIS PRODUCT MUST BE SUPPORTED BY AUXILIARY STABILIZING STRAPS.

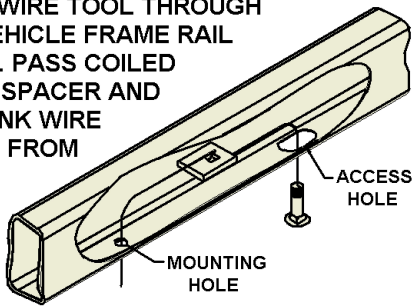
**** FAILURE TO PROPERLY SUPPORT NON-TRAILER LOADS WILL VOID PRODUCT WARRANTY****

HAVING INSTALLATION QUESTIONS? CALL TECHNICAL SUPPORT AT 877-287-8634

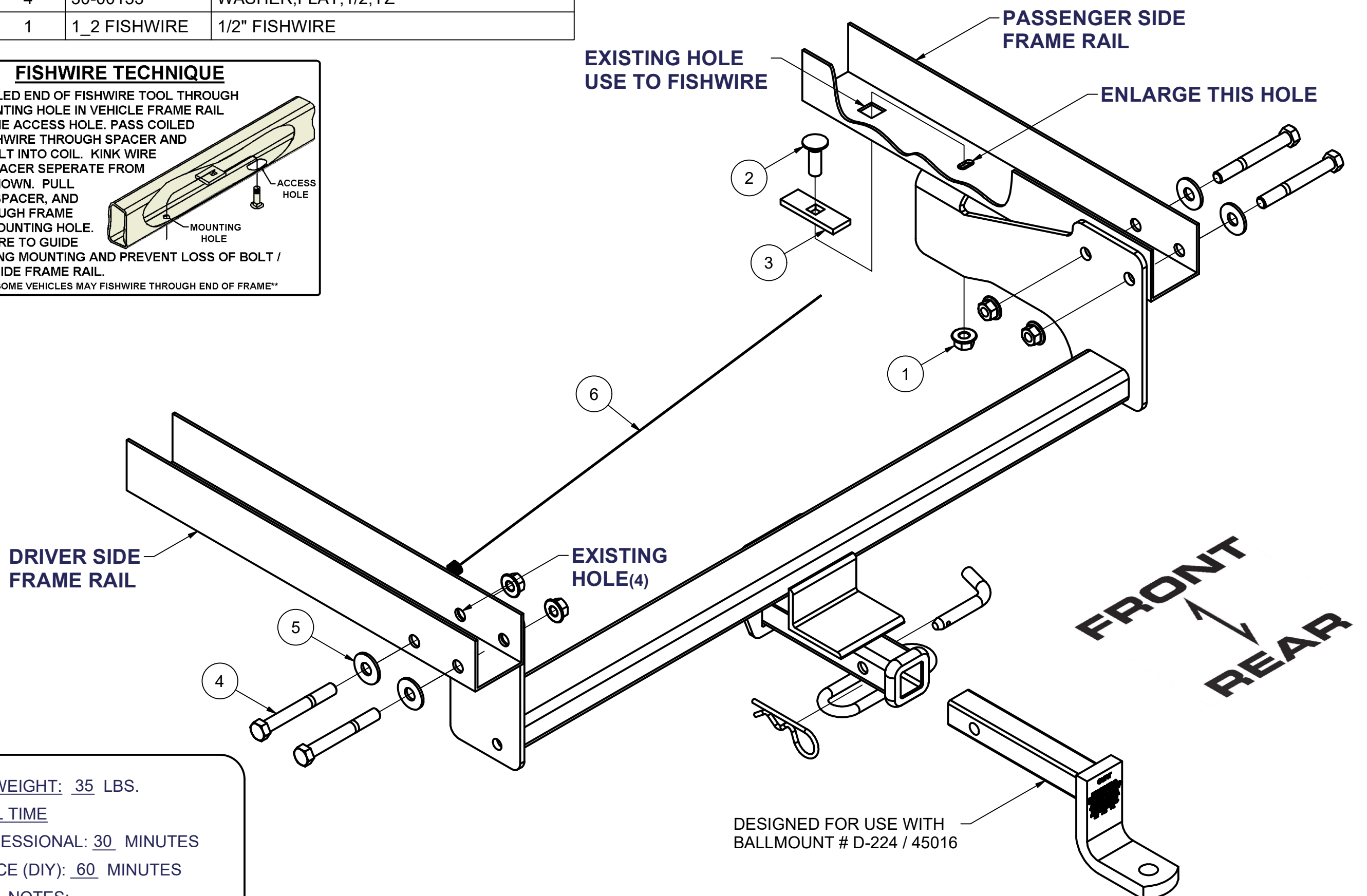
Parts List			
ITEM	QTY	PART NUMBER	DESCRIPTION
1	5	20-00062	NUT, SER-FLANGE, 1/2-13 UNC, GRD8, YZ
2	1	10-10287	BOLT, CAR, 1/2-13 UNC, 1-1/2, GRD8, YZ
3	1	CM-SP6	.250 x 1.00 x 3.00" SQUARE HOLE SPACER
4	4	10-10407	HHCS, 1/2-13 UNC, 4, GRD8, YZ
5	4	30-00133	WASHER, FLAT, 1/2, YZ
6	1	1_2_FISHWIRE	1/2" FISHWIRE

FISHWIRE TECHNIQUE

INSERT COILED END OF FISHWIRE TOOL THROUGH HITCH MOUNTING HOLE IN VEHICLE FRAME RAIL AND OUT THE ACCESS HOLE. PASS COILED END OF FISHWIRE THROUGH SPACER AND THREAD BOLT INTO COIL. KINK WIRE TO KEEP SPACER SEPERATE FROM BOLT AS SHOWN. PULL FISHWIRE, SPACER, AND BOLT THROUGH FRAME AND OUT MOUNTING HOLE. USE FISHWIRE TO GUIDE HITCH DURING MOUNTING AND PREVENT LOSS OF BOLT / SPACER INSIDE FRAME RAIL.



****NOTE: SOME VEHICLES MAY FISHWIRE THROUGH END OF FRAME****



HITCH WEIGHT: 35 LBS.

INSTALL TIME

PROFESSIONAL: 30 MINUTES

NOVICE (DIY): 60 MINUTES

INSTALL NOTES:

-HOLE ENLARGEMENT REQUIRED

INSTALLATION STEPS

- 1) Raise hitch into position between frame rails as shown. Push exhaust to side or lower if needed.
- 2) Install the four 1/2"-13 x 4" hex bolts with 1/2" washers from the outside of frames as shown. Fasten with 1/2" flange nuts finger tight to the sideplates.
- 3) With hitch in position, enlarge hole in frame at the flange of the passenger side plate with a 17/32" drill bit to fit a 1/2" bolt.
- 4) Fishwire 1/2"-13 x 1 1/2" carriage bolt with CM-SP6 spacer through existing square hole in frame to the enlarged hole and fasten to side plate with 1/2" flange nut. Finger tight only.
- 5) With all fasteners in place, torque all 1/2" hardware to 110 ft.-lb.

PERIODICALLY CHECK THIS RECEIVER HITCH TO ENSURE THAT ALL FASTENERS ARE TIGHT AND THAT ALL STRUCTURAL COMPONENTS ARE SOUND.

Curt Manufacturing Inc., warrants this product to be free of defects in material and/or workmanship at the time of retail purchase by the original purchaser. If the product is found to be defective, Curt Manufacturing Inc., may repair or replace the product, at their option, when the product is returned, prepaid, with proof of purchase. Alteration to, misuse of, or improper installation of this product voids the warranty. Curt Manufacturing Inc.'s liability is limited to repair or replacement of products found to be defective, and specifically excludes liability for incidental or consequential loss or damage.