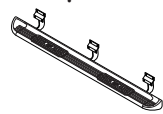


1303-0096

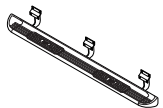
RUNNING BOARD

Raptor Series

Components:



Driver Side
Running Board Assembly
(Brackets already attached)
Qty 1

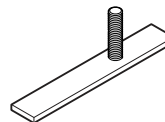


Passenger Side
Running Board Assembly
(Brackets already attached)
Qty 1

Hardware:



M10 x 30MM
Hex Head Bolt
Qty 20



M10 Bolt
Plate
Qty 2



M10 Flat Washer
Qty 34



M10 Hex
Head Nut
Qty 14



M10 Lock Washer
Qty 22

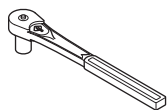


M10 Plastic Push
Nut
Qty 2

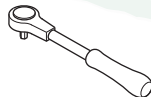


M10 U Nut Clip
Qty 8

Tools Required:



RATCHET

TORQUE
WRENCH

14MM SOCKET



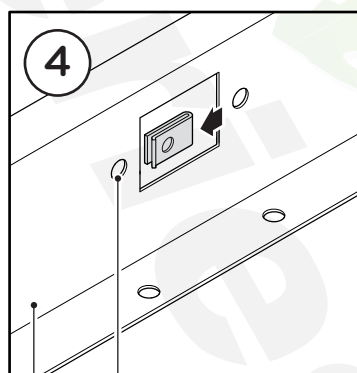
17MM SOCKET

Torque Specifications:

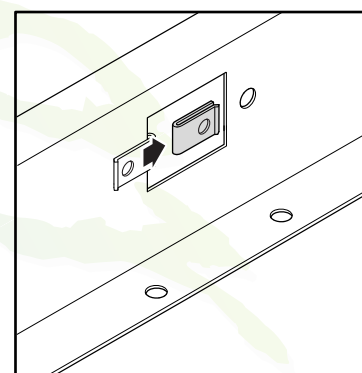
For Rocker Panel Installations
M8 through M12 sized bolts/nuts are set to 15-20 ft lbs.

Note: When installing the brackets and boards, all hardware must be left loose until all the items are attached.

1. Remove all contents from the package and check stainless steel running boards for any damage. Also, verify that all components and hardware listed above are included before you begin installation.
2. Read installation manual and installation drawing completely. Understand all brackets and bolts before installation.
3. Existing mounting holes are located on the interior wall of the rocker panel. These mounting holes will be used per the following instruction.
4. On the vertical wall of each rocker panel, install the U Nut Clips into two round holes. Install these U Nut Clips so that the threads are to the inside of the rocker panel. Be careful not to drop the U Nut Clips inside of the rocker panel.

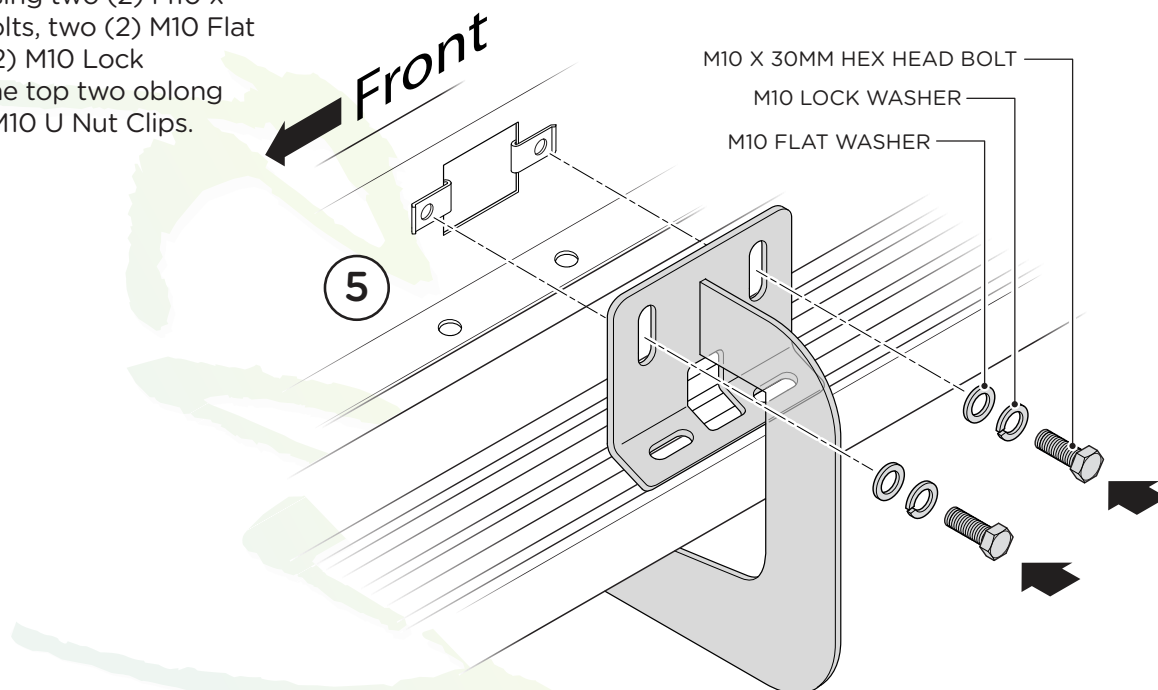


MOUNT HOLE

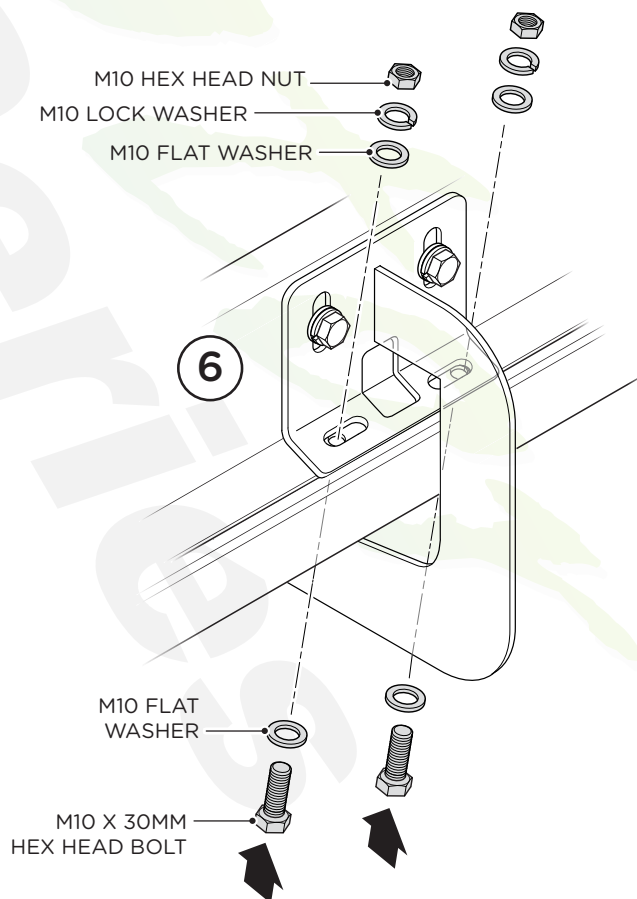
INTERIOR WALL OF
ROCKER PANEL

Front and Rear Bracket Installation

5. Install the Passenger Side Front and Rear Brackets by using two (2) M10 x 30MM Hex Head Bolts, two (2) M10 Flat Washers and two (2) M10 Lock Washers through the top two oblong holes and into the M10 U Nut Clips.

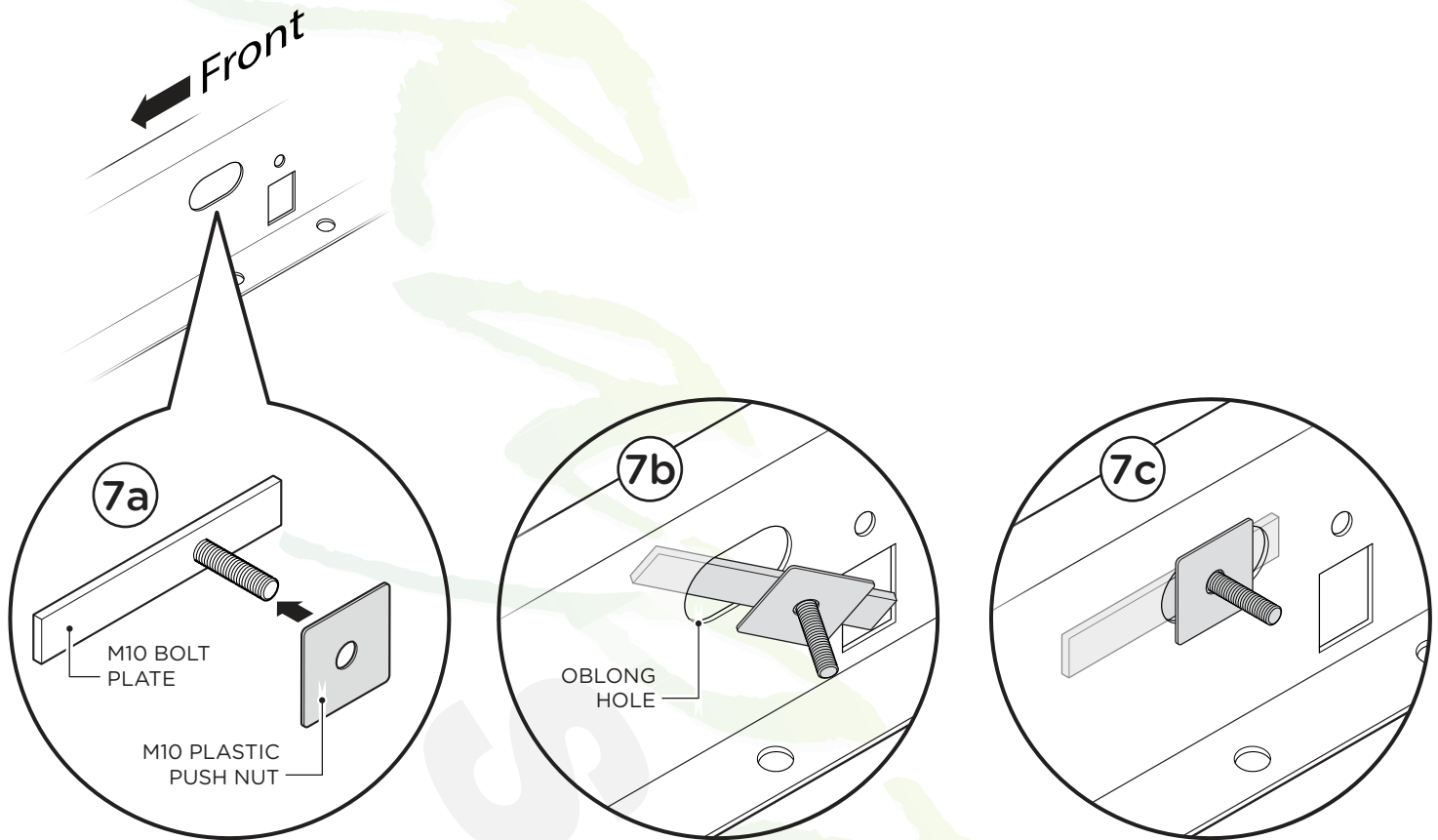


6. Complete the installation of the Front and Rear Brackets by inserting two (2) M10 x 30MM Hex Head Bolts and two (2) M10 Flat Washers through the bottom two oblong holes and fasten with two (2) M10 Flat Washers, two (2) M10 Lock Washers and two (2) M10 Hex Head Nuts.



Center Bracket Installation

7. Slide Plastic Push Nut over the Stud located on the M10 Bolt Plate (7a). Slide the M10 Bolt Plate into the oblong hole in the Rocker Panel (7b) until the M10 Bolt Plate drops through oblong hole (7c).

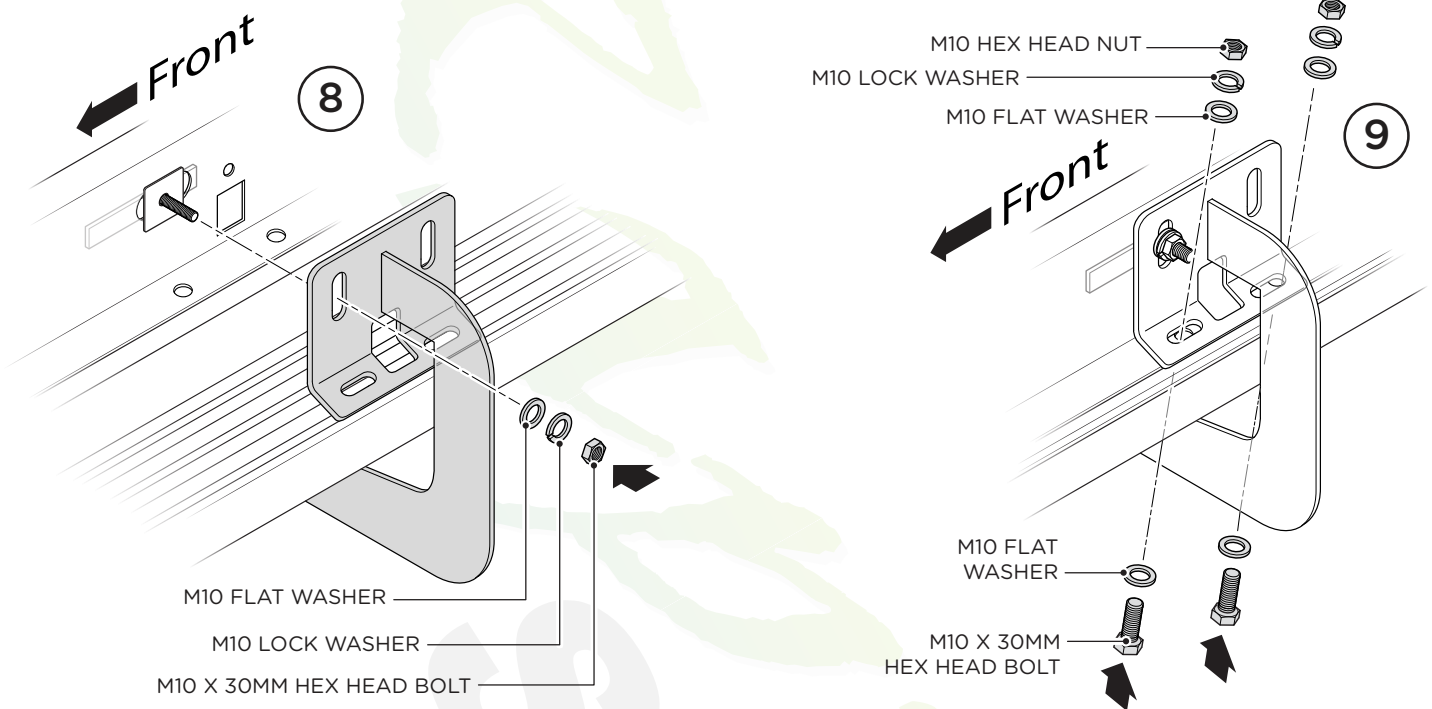


Repeat these steps for driver side installation. When all hardware is in place, everything must be tightened. See Page 1 for Torque Specifications.

Center Bracket Installation (continued)

8. Fasten the top side of Center Bracket using one (1) M10 Flat Washer, one (1) M10 Lock Washer and one (1) M10 Hex Head Nut.

9. Complete the installation of the center brackets by inserting two (2) M10 x 30MM Hex Head Bolts and two (2) M10 Flat Washers through the bottom two oblong holes and fasten with two (2) M10 Flat Washers, two (2) M10 Lock Washers and two (2) M10 Hex Head Nuts.



Repeat these steps for driver side installation. When all hardware is in place, everything must be tightened. See Page 1 for Torque Specifications.