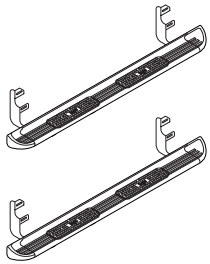



1303-0355


RUNNING BOARD*Raptor*
Series**Components:**


Driver Side
Step Bar
Qty 1

Passenger Side
Step Bar
Qty 1

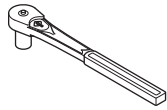
Hardware:

 M8 Hex Head Nut
Qty 8

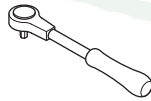
 M8 Flat Washers
Qty 8

 M8 Lock Washers
Qty 8

 Plastic Washers
Qty 8

Tools Required:

RATCHET

TORQUE
WRENCH

13MM SOCKET

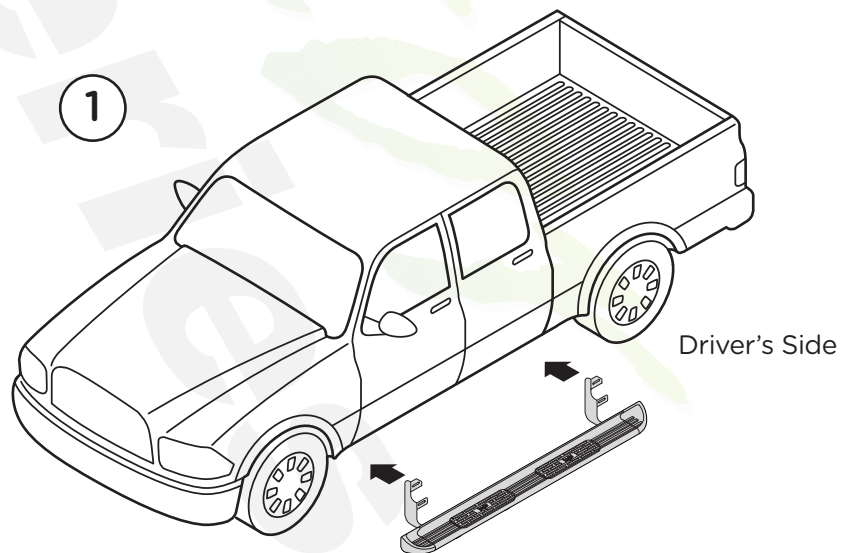
Torque Specifications:

For Rocker Panel Mount Installations
M8 through M12 bolts and nuts are set to 15-20 ft lbs.

Note: When installing the brackets and boards, all hardware must be left loose until all the items are attached.

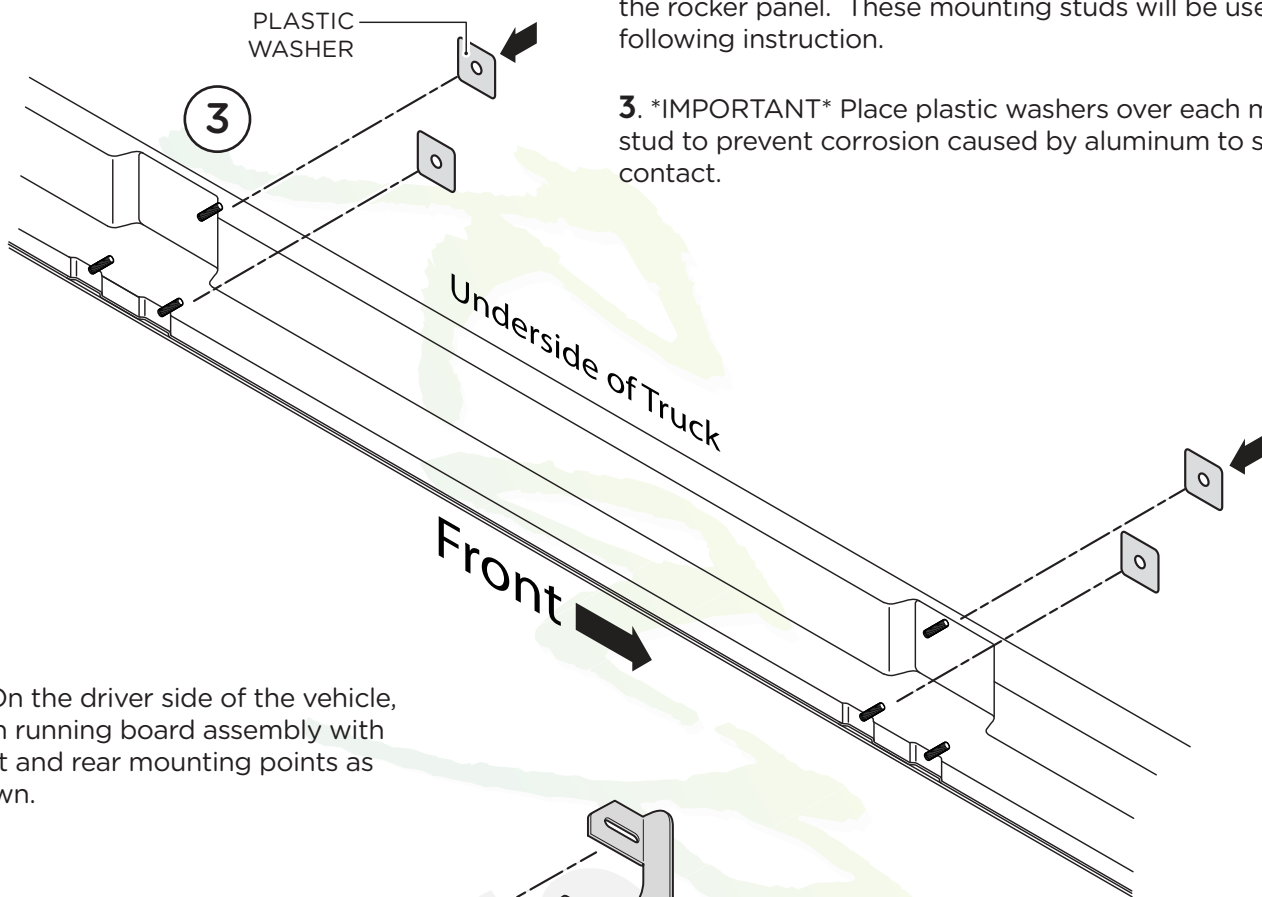
1. Remove all contents from the package and check stainless steel running boards for any damage. Also, verify that all components and hardware listed above are included before you begin installation.

Begin on driver side of vehicle.

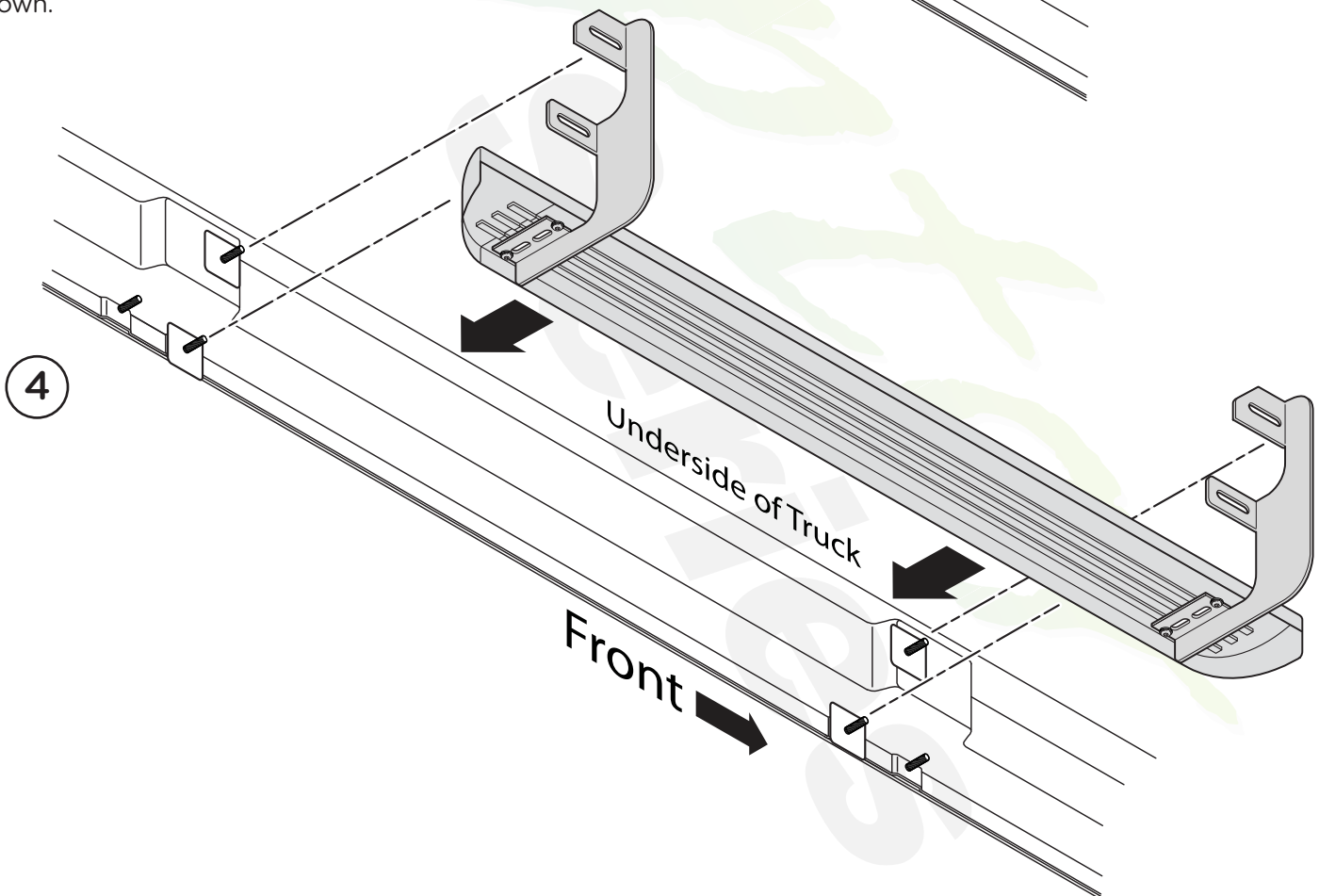


2. Existing mounting studs are located on the interior wall of the rocker panel. These mounting studs will be used for the following instruction.

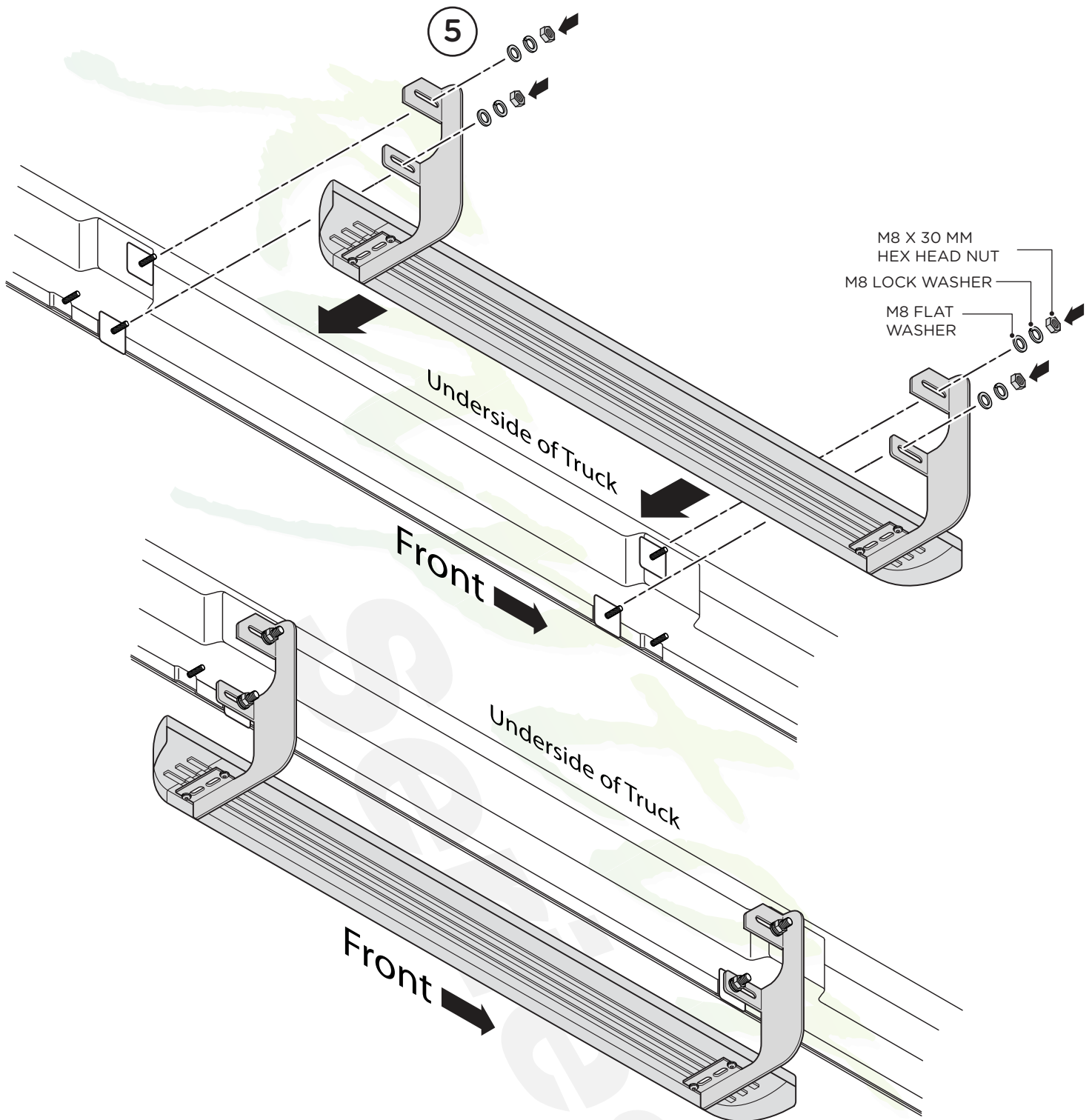
3. ***IMPORTANT*** Place plastic washers over each mounting stud to prevent corrosion caused by aluminum to steel contact.



4. On the driver side of the vehicle, align running board assembly with front and rear mounting points as shown.



5. Fasten each bracket onto existing mounting studs by using two (2) M8 Flat Washers, two (2) M8 Lock Washers and two (2) M8 Hex Head Nuts per bracket.



Repeat these steps for passenger side installation. When all hardware is in place, everything must be tightened. See Page 1 for Torque Specifications.