

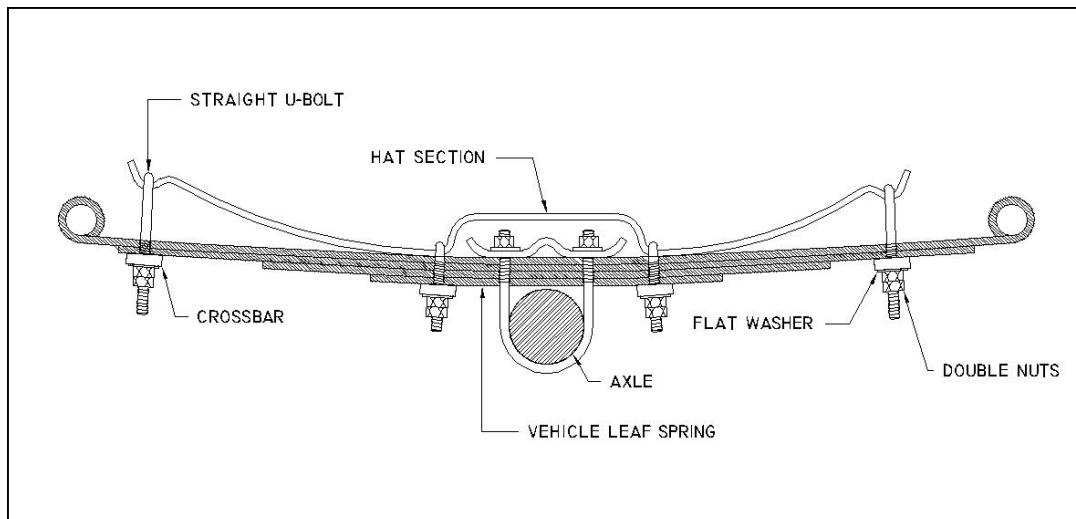
# Hellwig PRODUCTS.com

559-734-7451 800-367-5480 FAX 559-734-7460

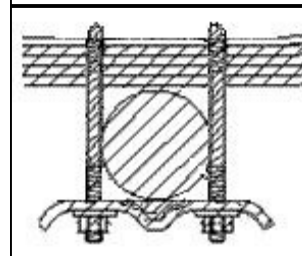
## INSTALLATION INSTRUCTIONS

Thank you for purchasing a quality Hellwig Product.

PLEASE READ THIS INSTRUCTION SHEET COMPLETELY BEFORE STARTING YOUR INSTALLATION PROCEDURES.



Some models have different factory U-bolts shown below. Installation does not change.



### TORQUE TABLE

BOLT SIZE: 3/8" = 20-30 ft. lbs. - 7/16" = 35-45 ft. lbs. - 1/2" = 50-70 ft. lbs. - 9/16" = 70-90 ft. lbs

**SAFETY: PARK YOUR VEHICLE ON A FLAT LEVEL SURFACE, SET THE PARKING BRAKE AND CHOCK THE TIRES.**

**NOTE: IF YOUR VEHICLE IS EQUIPPED WITH A BRAKE FLUID PROPORTIONING VALVE ON THE REAR AXLE READ INSERT (R-362)**

**IMPORTANT NOTE: IF YOUR VEHICLE IS EQUIPPED WITH A FACTORY CONTACT OVER LOAD IT MUST BE REMOVED BEFORE INSTALLING THE NEW HELPER SPRINGS.**

**IMPORTANT NOTE: HELLWIG HELPER SPRINGS ARE DESIGNED TO INCREASE THE "LEVEL LOAD" CARRYING CAPACITY OF YOUR VEHICLE. NEVER LOAD THE VEHICLE THAT THIS UNIT IS INSTALLED ON BEYOND THE MANUFACTURER'S MAXIMUM GROSS VEHICLE WEIGHT RATING.**

**READ THIS INSTRUCTION SHEET COMPLETELY BEFORE STARTING YOUR INSTALLTION**

1. Place the spring on top of the main spring with the long end toward the rear of the vehicle.
2. Slide the spring back and forth so the hump doesn't touch the factory vehicle U-bolts but to maximize the distance between the leaf tips and the underside of the vehicle.
3. Place the U-bolts with the short legs on either side of the hump as shown in the diagram. Using the included cross bars, washers and nuts, tighten following the torque table above.
4. Use the longer legged U-bolts on the outside cups of the spring as shown in the diagram. Attach them once again using the crossbars, washer and nuts. It may be necessary to either jack the vehicle up by the frame allowing the suspension to droop or use a C-clamp to compress the spring to start the nuts.
5. Adjust the crossbars on the end of the springs so that the adjacent leaf tip will not make contact with the crossbar when the spring is deflected. It may be necessary to move the spring stack fore or aft for best alignment.

**READ OPPOSITE SIDE COMPLETELY**

# Hellwig PRODUCTS.com

559-734-7451 800-367-5480 FAX 559-734-7460

6. Adjust the U-bolts at the spring end to desired preload. The minimum tension adjustment is having enough tension on the end U-bolts so that they do not loosen or rattle and move when the vehicle is driven over rough or bumpy surfaces. Maximum adjustment is when the leaf cups are 1/4" from the main spring.
7. When adjustment is complete, double nut to lock in adjustment.
8. Lower vehicle to the ground and check your installation for clearance on all undercarriage components; wires, fuel, brake, and air conditioning lines. Test drive the vehicle and recheck your installation, adjust as needed. Recheck on a monthly basis thereafter.

**ATTENTION INSTALLER: BE SURE THAT THE CUSTOMER RECEIVES THIS INSTRUCTION SHEET,  
ALL IMPORTANT NOTE CARDS AND THE WARRANTY FORM**

## **Maintenance and Inspection:**

Your Hellwig Suspension Product is built to last. However, as with all vehicle systems, it requires routine inspection. Inspect your Hellwig installation looking for secure hardware and tight fitting brackets and bushings. If you do not perform this inspection, have your professional mechanic inspect as described.