

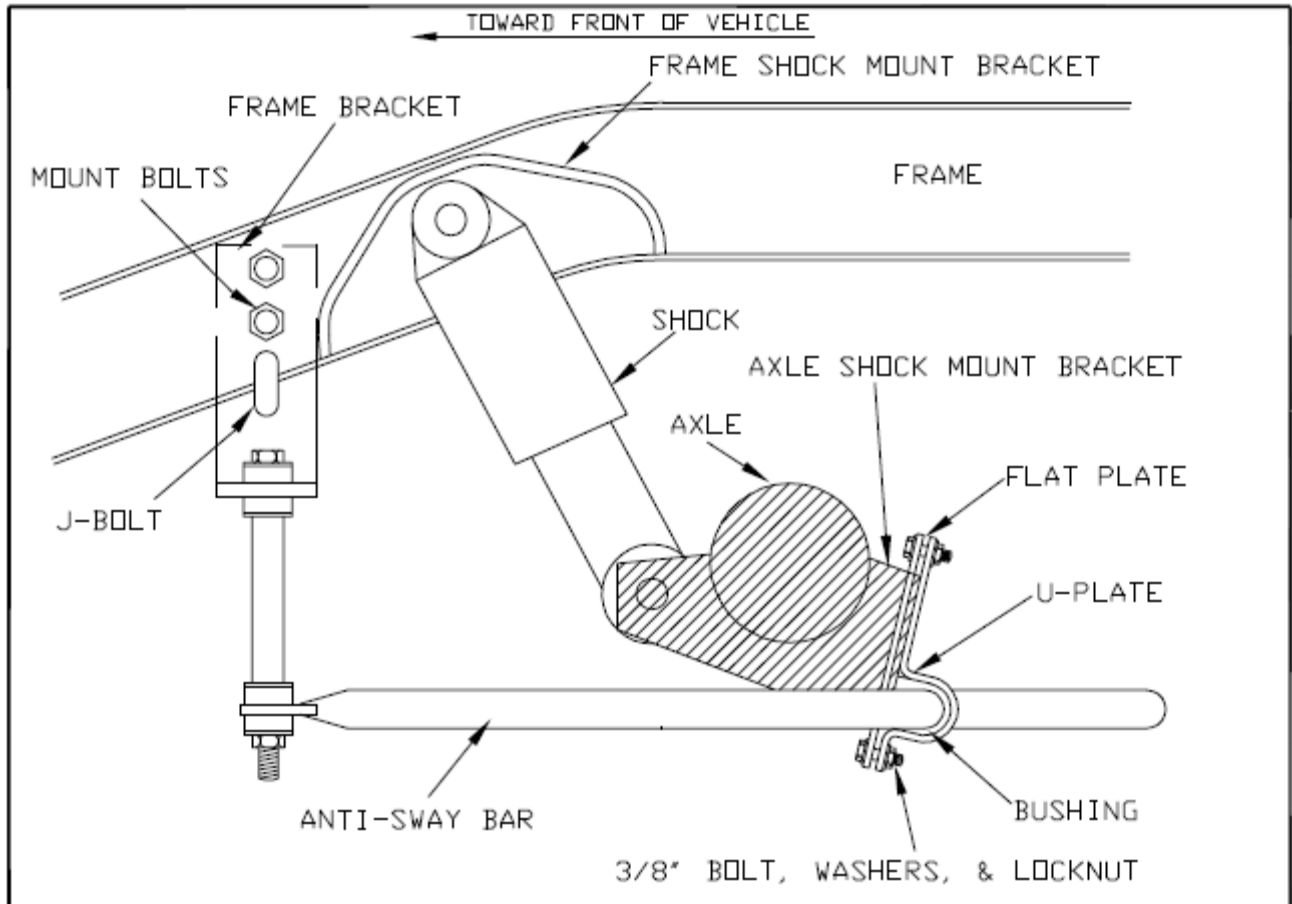
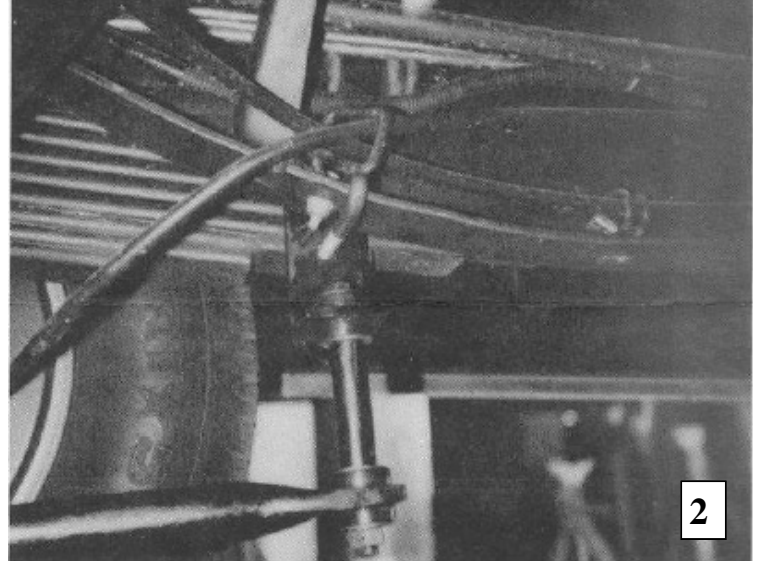
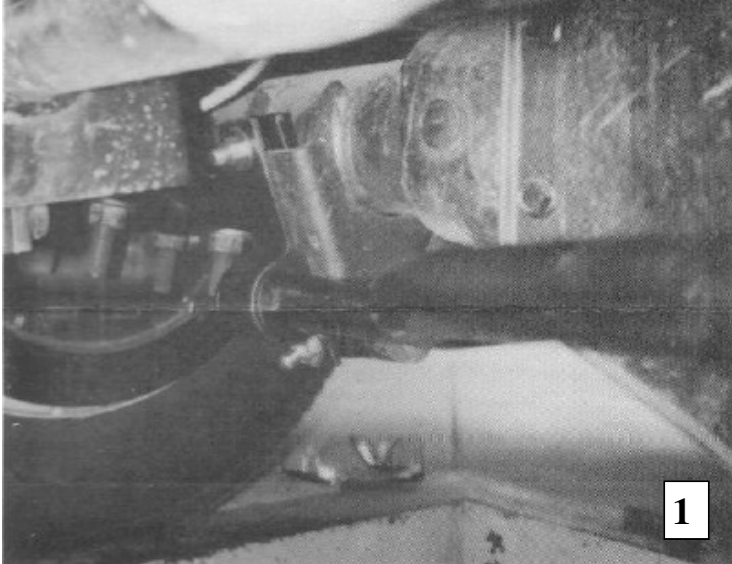
Hellwig PRODUCTS.com

559-734-7451 800-367-5480 FAX 559-734-7460

INSTALLATION INSTRUCTIONS REAR STABILIZER BAR

Thank you for purchasing a quality Hellwig Product.

PLEASE READ THIS INSTRUCTION SHEET COMPLETELY BEFORE STARTING YOUR INSTALLATION



Hellwig PRODUCTS.com

559-734-7451 800-367-5480 FAX 559-734-7460

SAFETY: BEFORE STARTING YOUR INSTALLATION, BE SURE TO SET PARKING BRAKE AND CHOCK TIRES.

NOTE: TO EASE INSTALLATION AND TO PROPERLY ADJUST THE BAR, THE WEIGHT OF THE VEHICLE MUST BE ON THE SUSPENSION, AS IF DRIVING DOWN THE ROAD. DO NOT RAISE VEHICLE BY THE FRAME.

NOTE: THIS UNIT IS DESIGNED TO MOUNT TO THE BACK OF THE SHOCK MOUNTS ON THE REAR OF THE AXLE WITH THE ARMS OF THE BAR TOWARD THE FRONT OF THE VEHICLE.

NOTE: THIS KIT INCLUDES LOCK NUTS WHICH REQUIRES TIGHTENING WITH A WRENCH AFTER BEING STARTED BY HAND.

IMPORTANT: IT WILL BE NECESSARY TO REMOVE THE LOWER SHOCK BOLTS FROM THE AXLE MOUNTS AND REVERSE THEIR DIRECTION TO THE THREADED ENDS OF THE SHOCK BOLTS DO NOT INTERFERE OR CONTACT THE SWAY BAR.

TORQUE TABLE

BOLT SIZE: 3/8" = 20-30 ft. lbs. - 7/16" = 35-45 ft. lbs. - 1/2" = 50-70 ft. lbs. - 9/16" = 70-90 ft. lbs.-5/8"=120 ft. lbs.

1. Place the flat plates inside the open area on the back of the shock mounts so the holes in the flat plates are above and below the flat surface on the back of the shock mounts. See Photos.
2. Lubricate the insides and then place the D-shaped poly bushings on each side of the center hump to align with the shock mounts and flat plates.
3. Place the U-plates over the bushings on the bar so the offset lets the sway bar so the offset lets the sway bar mount down toward the bottom of the flat plates and shock mounts. Attach the U-plates to the flat plates with the 3/8" mounting hardware provided. LEAVE LOOSE at this time to allow for adjustment. Move any brake lines or hoses on the axle to avoid any contact wear with the flat plates or the U-plates.
4. As per the Photos and Diagrams, assemble the end links and angle brackets to the end of the sway bar. Tighten the end link locknuts just until the bushings bulge slightly. DO NOT OVERTIGHTEN or damage to the end link bushings will result.
5. Rotate the bar upward so the frame angle brackets fit up against the outside of the frame rails. Some chassis have two holes predrilled into the frame and will align with the upper two holes in the angle bracket. Attach these two holes with the remaining 3/8" mounting hardware provided. LEAVE LOOSE to allow for adjustments.
6. If your vehicle has only one hole in the frame rail, attach the angle bracket to the hole and use the J-bolt provided to hook onto the frame and mount through the lower hole in the angle bracket. Be sure there are two mounting points for each of the angle brackets. It may be necessary to use the exhaust hanger bolts on the passenger side on some vehicles.
7. Center the bar under the vehicle and adjust the end links to be as straight between the ends of the sway bar and the angle brackets as possible. Being sure not to pinch any wires, lines or hoses inside the frame or on the axle, torque all of the mounting hardware to the specified rate.
8. Bounce the vehicle checking for clearance on all undercarriage components. Adjust the bar as needed. Recheck your installation after driving and recheck periodically on a regular basis.

ATTENTION INSTALLER: BE SURE THE CUSTOMER RECEIVES THIS INSTRUCTION SHEET, ALL IMPORTANT NOTE CARDS, WARNING CARDS AND THE WARRANTY FORM.