

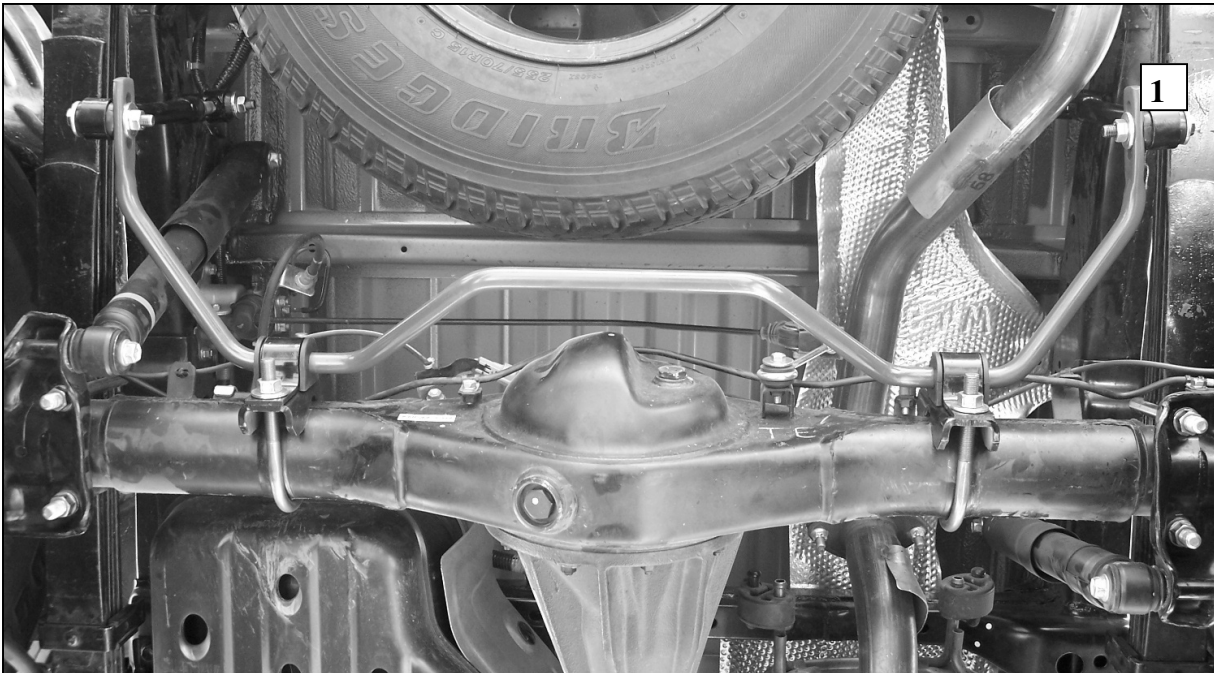
Hellwig PRODUCTS.com

559-734-7451 800-367-5480 FAX 559-734-7460

INSTALLATION INSTRUCTIONS

Rear Stabilizer Bar Toyota Hilux 4WD

Thank you for purchasing a quality Hellwig Product.



SAFETY: BEFORE STARTING YOUR INSTALLATION, BE SURE TO SET PARKING BRAKE AND CHOCK THE WHEELS.

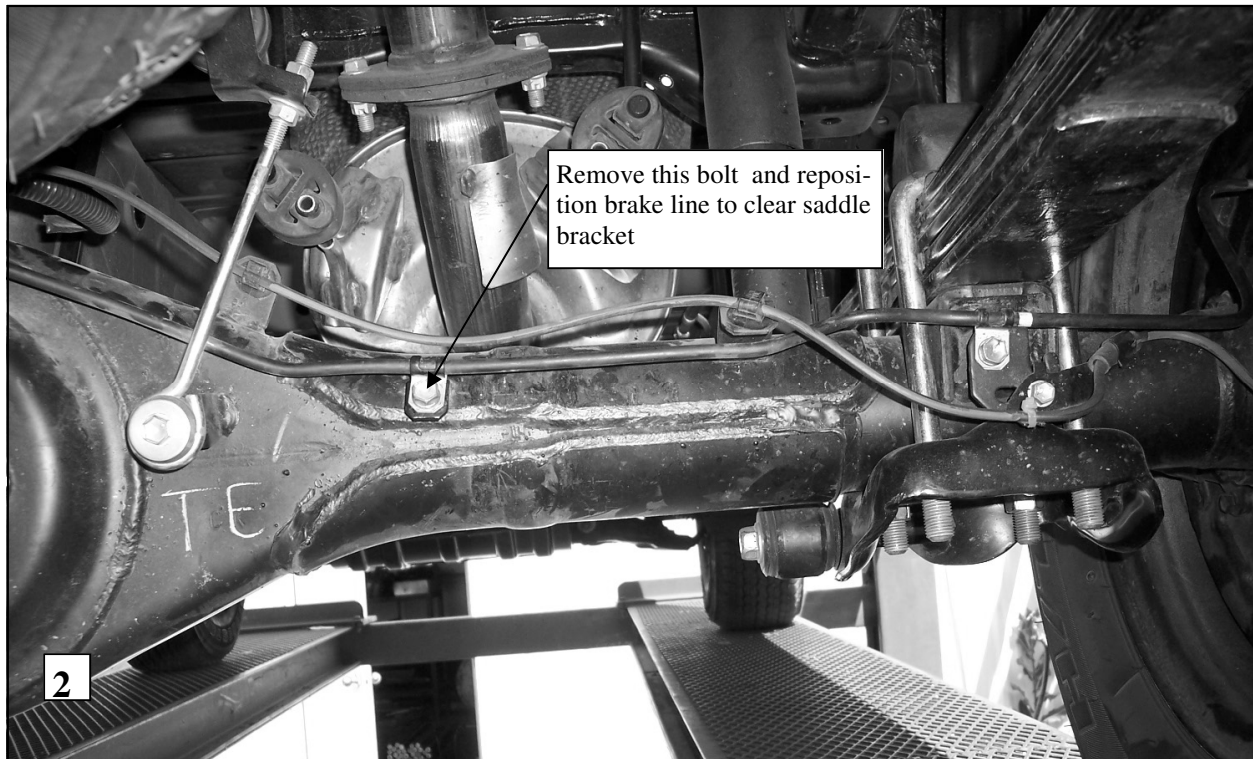
NOTE: TO EASE INSTALLATION AND TO PROPERLY ADJUST BAR, THE WEIGHT OF THE VEHICLE MUST BE ON THE SUSPENSION, AS IF DRIVING DOWN THE ROAD. DO NOT RAISE THE VEHICLE BY THE FRAME.

NOTE: THIS UNIT IS DESIGNED TO MOUNT TO THE BOTTOM OF THE VEHICLE'S AXLE WITH THE ARMS OF THE SWAY BAR TOWARDS THE REAR OF THE VEHICLE.

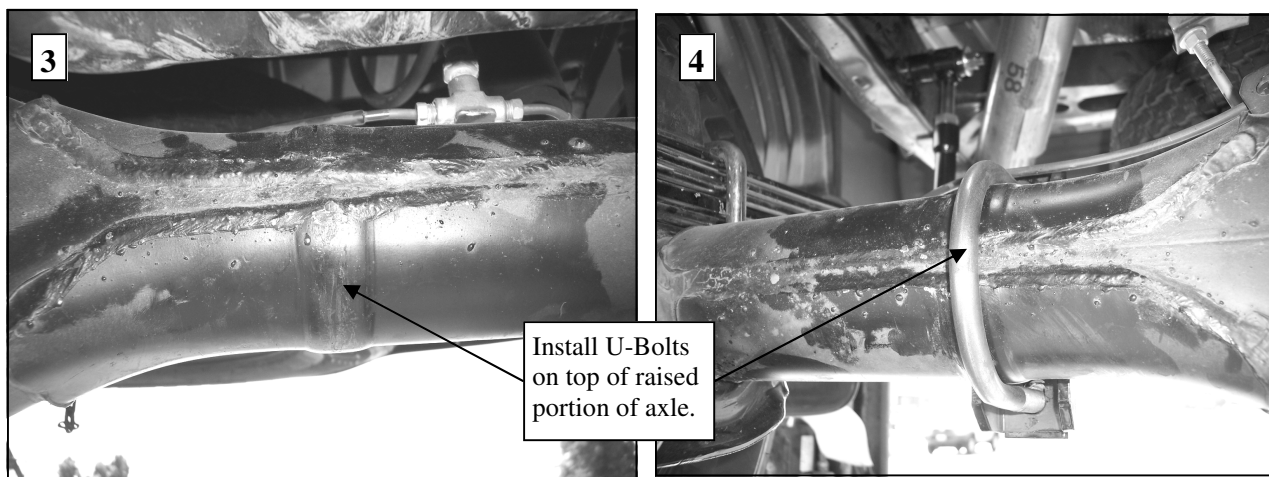
NOTE: THIS KIT INCLUDES LOCKNUTS WHICH REQUIRE TIGHTENING WITH A WRENCH AFTER BEING STARTED BY HAND

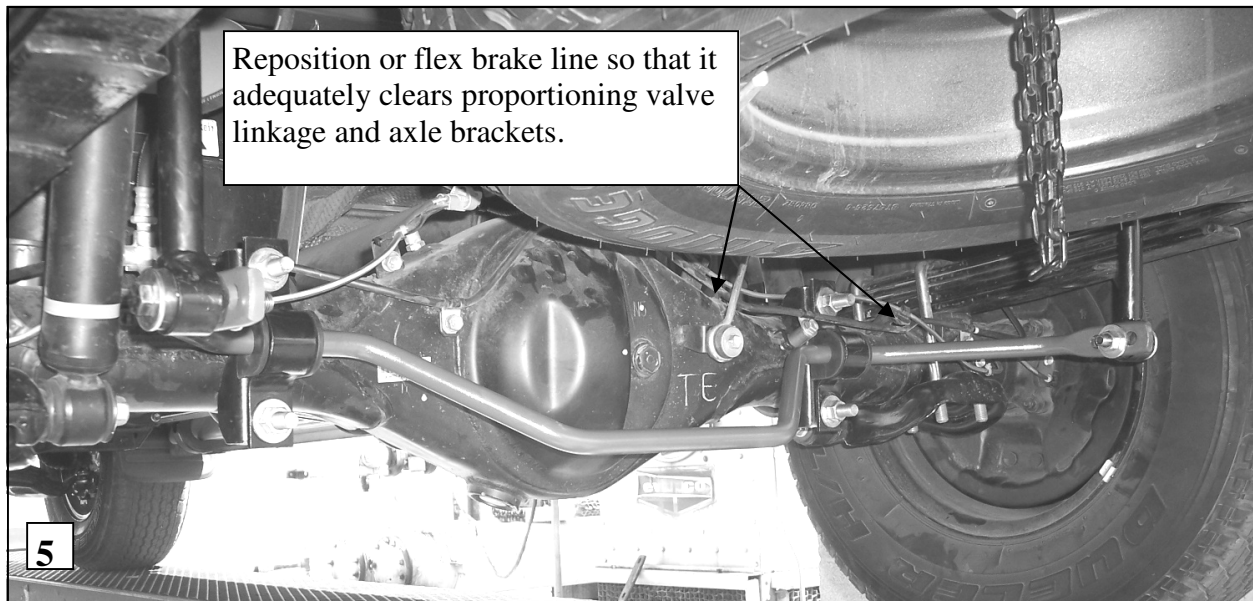
MAINTENANCE AND INSPECTION:

YOUR HELLWIG SUSPENSION PRODUCT IS BUILT TO LAST. HOWEVER, AS WITH ALL VEHICLE SYSTEMS, IT REQUIRES ROUTINE INSPECTION. INSPECT YOUR HELLWIG INSTALLATION LOOKING FOR SECURE HARDWARE AND TIGHT FITTING BRACKETS AND BUSHINGS. IF YOU DO NOT PERFORM THIS INSPECTION, HAVE YOUR PROFESSIONAL MECHANIC INSPECT AS DESCRIBED.

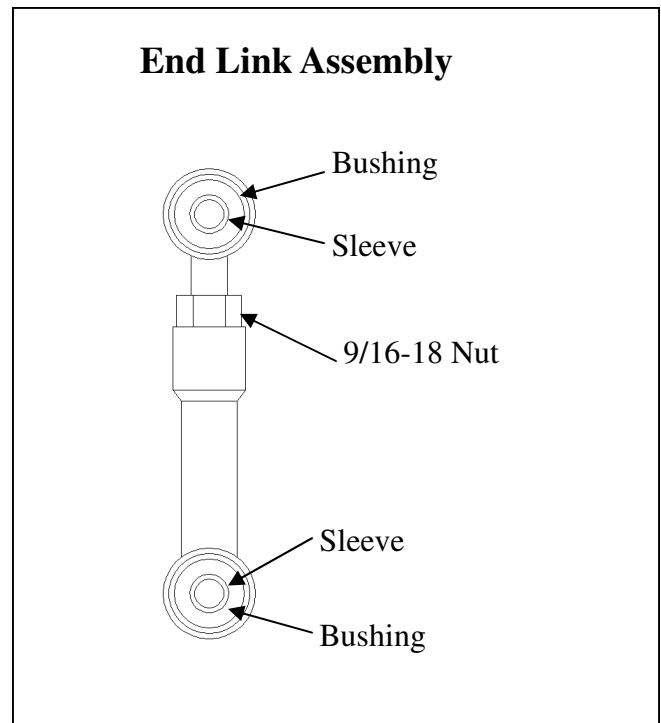
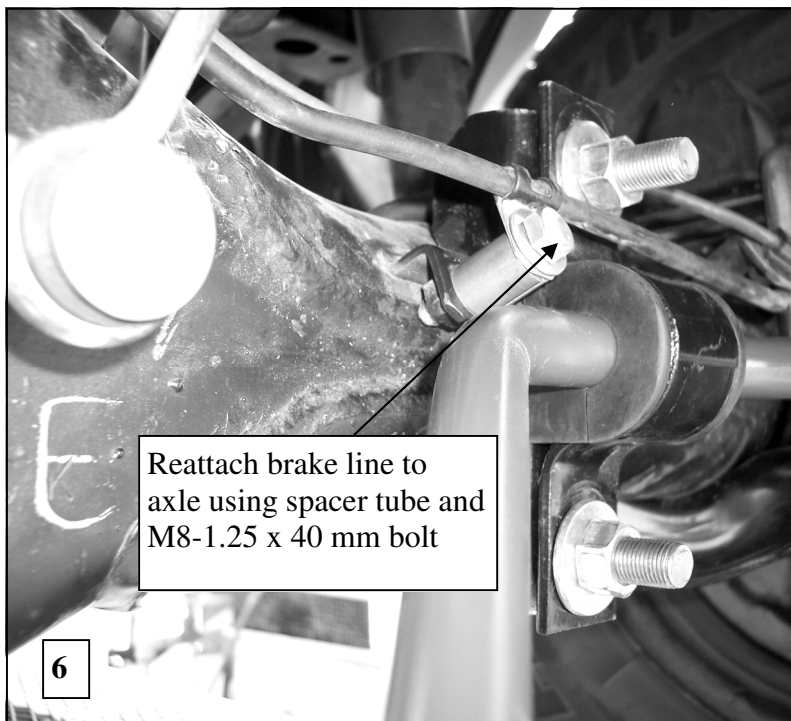


1. Remove bolt attaching passenger side brake line to axle tube as shown in photo 2. Reposition brake line so that it will clear u-bolt, saddle and sway bar as shown in photos 1 & 5.
2. Position the U-bolts on the axle on the raised portion as shown in photos 2 & 3. Be sure to install u-bolts under all brake and electrical lines to avoid pinching or crushing the lines.
3. Lubricate and install bushings on sway bar in approximate location as u-bolts as shown in photo 1.
4. Attach sway bar to axle using the 1/2" locknuts and washers. Leave loose for adjustment later.



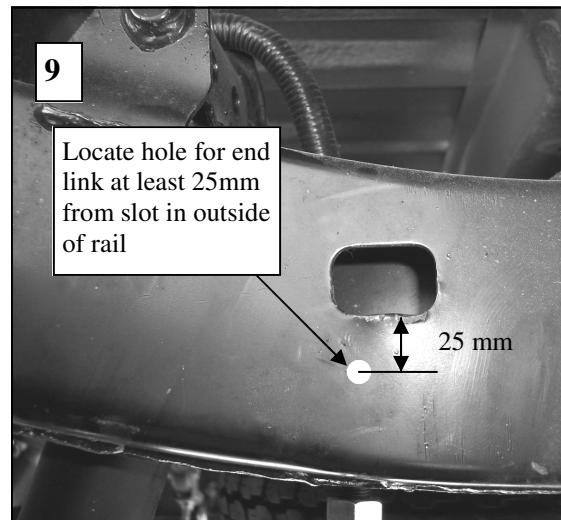
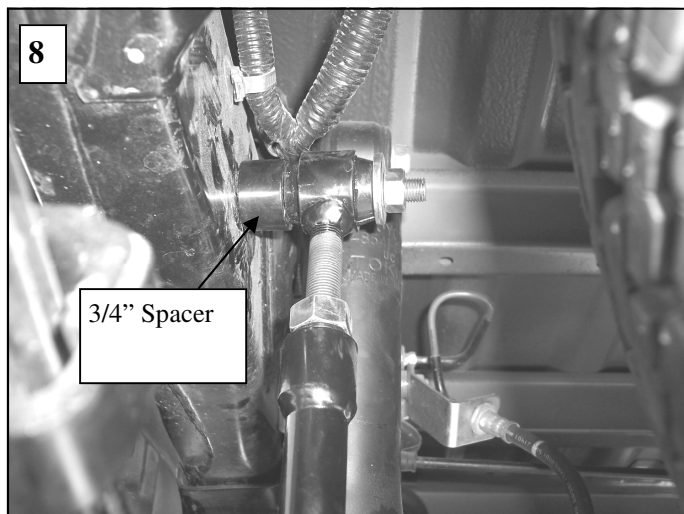


5. Center sway bar between the frame rails and tighten U-bolts to 50-60 ft-lb.
6. Reattach brake line to axle using spacer tube and M8-1.25 x 40 mm bolt and washer as shown in photo 6. Torque to 10 –15 ft-lb. Reposition or flex brake line so that it adequately clears proportioning valve linkage and will not rub on axle, axle brackets or other components.
7. Assemble end links as shown in diagram below. Use supplied grease to lubricate the hourglass bushings and sleeves before assembly. Install hourglass bushings into loops of end links first, then install sleeves into the bushings.

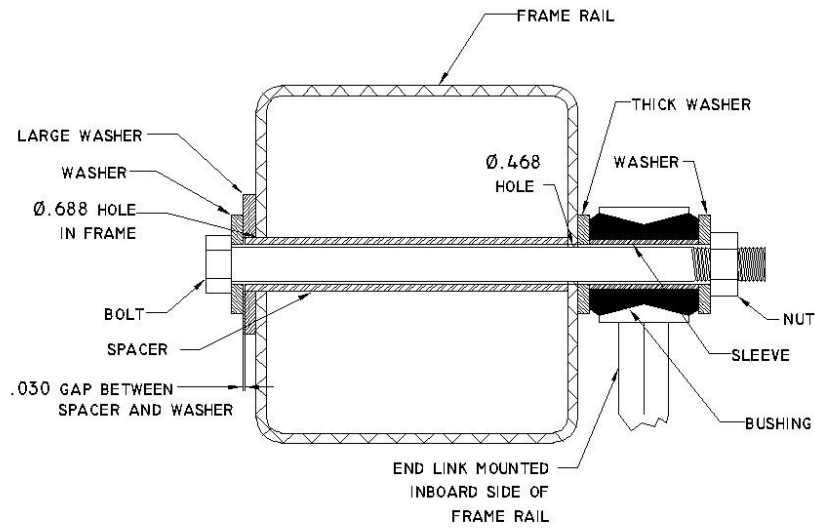




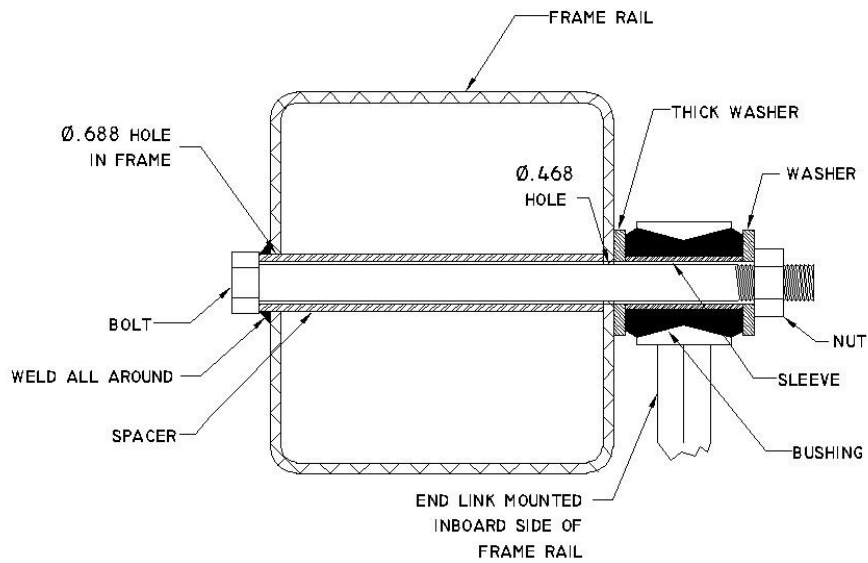
8. Attach end links to center hole of sway bar using 7/16" x 2-3/4" bolts washers and locknuts as shown in photos 7a and 7b.
9. Mark location to attach top of end links on frame. On driver side ensure that there is adequate clearance to the shock.
10. Transfer location to outside of frame rail. **Make sure that hole location is at least 1 inch (25mm) away from slot in outside of frame rail.** A piece of cardboard can be used by marking the location of the hole on the cardboard and transferring the location to the outer rail. Drawing a line on the frame square to the rails will keep the hole location square.



END LINK MOUNTING DETAIL

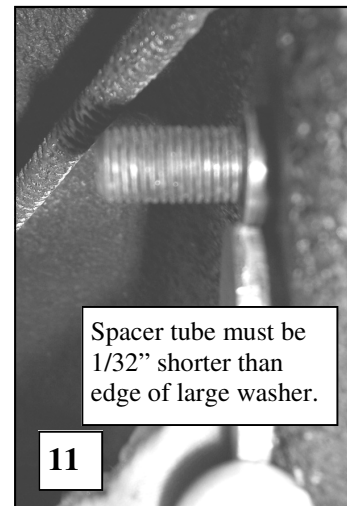
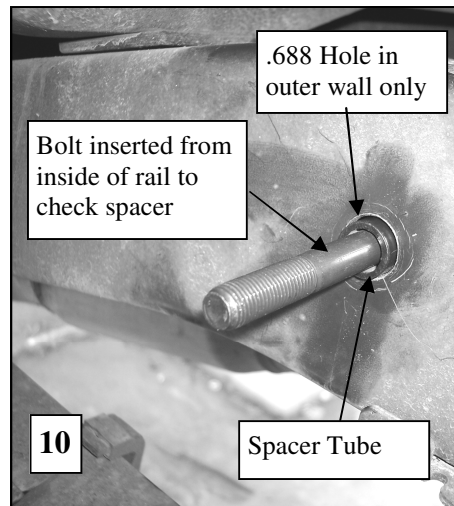
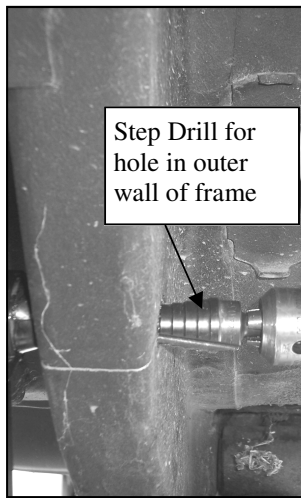


END LINK MOUNTING DETAIL SEVERE SERVICE



Hellwig PRODUCTS.com

559-734-7451 800-367-5480 FAX 559-734-7460



11. **Review end link mounting detail before drilling holes. Note—3/4" spacer will take the place of the thick washer shown in the diagrams. BEFORE DRILLING ANY HOLES IN THE RAIL—RELOCATE AND PROTECT ANY FUEL OR BRAKE LINES THAT MAY INTERFERE WITH THE DRILL BIT OR SWAY BAR INSTALLATION.**
12. Drill a 15/32 (.468) hole through **BOTH** walls of the frame. Make sure holes are square to one another when drilling holes. It is easiest to drill through the outer wall first and use a transfer punch to mark location on inner wall of frame.
13. Drill an 11/16 (.688) hole through **OUTER** wall of frame **ONLY**. See photo 7. A step drill works well for this application. Do not use a hole saw as the hole must be a close fit to the spacer tube.
14. Insert 7/16 X 6" bolt through driver's side rail as shown in PHOTO 10 with head on inside of frame rail. Insert 7/16 X 6" bolt in same manner through passenger side rail.
15. For severe duty it is recommended that the spacer tube be welded to the outer frame wall. If the spacer is to be welded, review severe service end link detail for your frame rail and skip to line 18. **IMPORTANT—If any welding is to be done, the installer must ensure that all hazards (fuel, electrical, etc) are eliminated and that fuel tanks, fuel lines, brake lines, wiring, etc. are not affected by the welding operation.**
16. Insert spacer tube from outside of rail until it contacts inner wall of frame rail and check fit. The spacer tube must be 1/32" (.030") shorter than edge of large washer as shown in PHOTO 11. **Failure to do this will result in insufficient preload and noise. Cut, file or grind end of spacer tube to achieve proper length.**
17. Remove bolt and spacer from inside of frame rail.
18. Attach end links to frame rail as shown in detail and PHOTOS 7a&7b. Note that a 3/4" spacer is used on the driver side rail only.
19. Torque end link bolts to 40 ft-lb.
20. Tighten jam nut on adjustable end links.
21. **Bounce the vehicle checking for clearance on all under carriage components: fuel tank, shocks, exhaust, differential, brake and fuel lines, etc.** Test drive the vehicle and recheck all clearances and the installation alignment. Adjust as needed. Re-check your installation after one week of driving and periodically on a regular basis.

22. The sway bar has three end link mounting holes. The end link **MUST** be mounted on the outer hole for initial use. **SEE BELOW**
23. For a firmer setting, use the inner holes. You must use the outer mounting hole as shown in photo below until you are accustomed to the vehicles new handling characteristics. After driving vehicle, a firmer setting may be selected if desired. It is recommended that the outer hole be used for street driving.

ATTENTION INSTALLER: BE SURE THAT THE CUSTOMER RECEIVES THIS INSTRUCTION SHEET, ALL IMPORTANT NOTE CARDS AND THE WARRANTY FORM

