

INSTALLATION MANUAL

13532

Level of Difficulty

Difficult

Installation difficulty levels are based on time and effort involved and may vary depending on the installer level of expertise, condition of the vehicle and proper tools and equipment.

Weight Carrying Capacity

Tongue weight (TW)	150 lbs.
--------------------	----------

Parts List

Item	Qty	Description
1	1	Accessory mount
2	1	Mounting bracket, driver-side
3	1	Mounting bracket, passenger-side
4	4	Carriage bolt, 1/2"
5	4	Serrated-flange nut, 1/2"
6	6	Hex nut, M12
7	6	Flat washer, 1/2"
8	6	Conical-toothed washer, 1/2"

Tools Required

Ratchet	Torque wrench
Socket, 8mm	Tape measure
Socket, 12mm	Rotary tool
Socket, 15mm	Tape
Socket, 3/4"	Cut-off wheel
Socket extension, 3"	--

* For a tools reference guide visit curtmfg.com/trailer-hitch-installation

⚠ WARNING

Never exceed the vehicle manufacturer's recommended towing capacity.

Not intended for towing use

Product Photo



NOTICE

Visit www.curtmfg.com for a full-color copy of this instruction manual, as well as helpful videos, guides and much more!

Before you begin installation, read all instructions thoroughly.

Proper tools will improve the quality of installation and reduce the time required.

This installation requires:

- Temporary removal of underbody panels
- Trimming of lower bumper fascia

Periodic inspection of the trailer hitch should be performed to ensure all mounting hardware remains tight and structural components are secure.

To help prevent damage to the product or vehicle, refer to the specified torque specifications when securing hardware during the installation process.

SAFETY INSTRUCTIONS

Safety glasses should be worn at all times while installing this product.

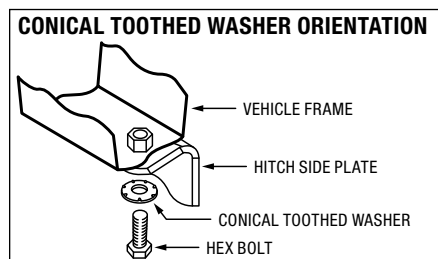
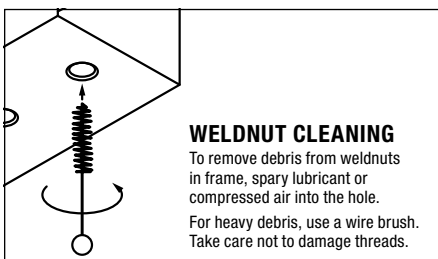
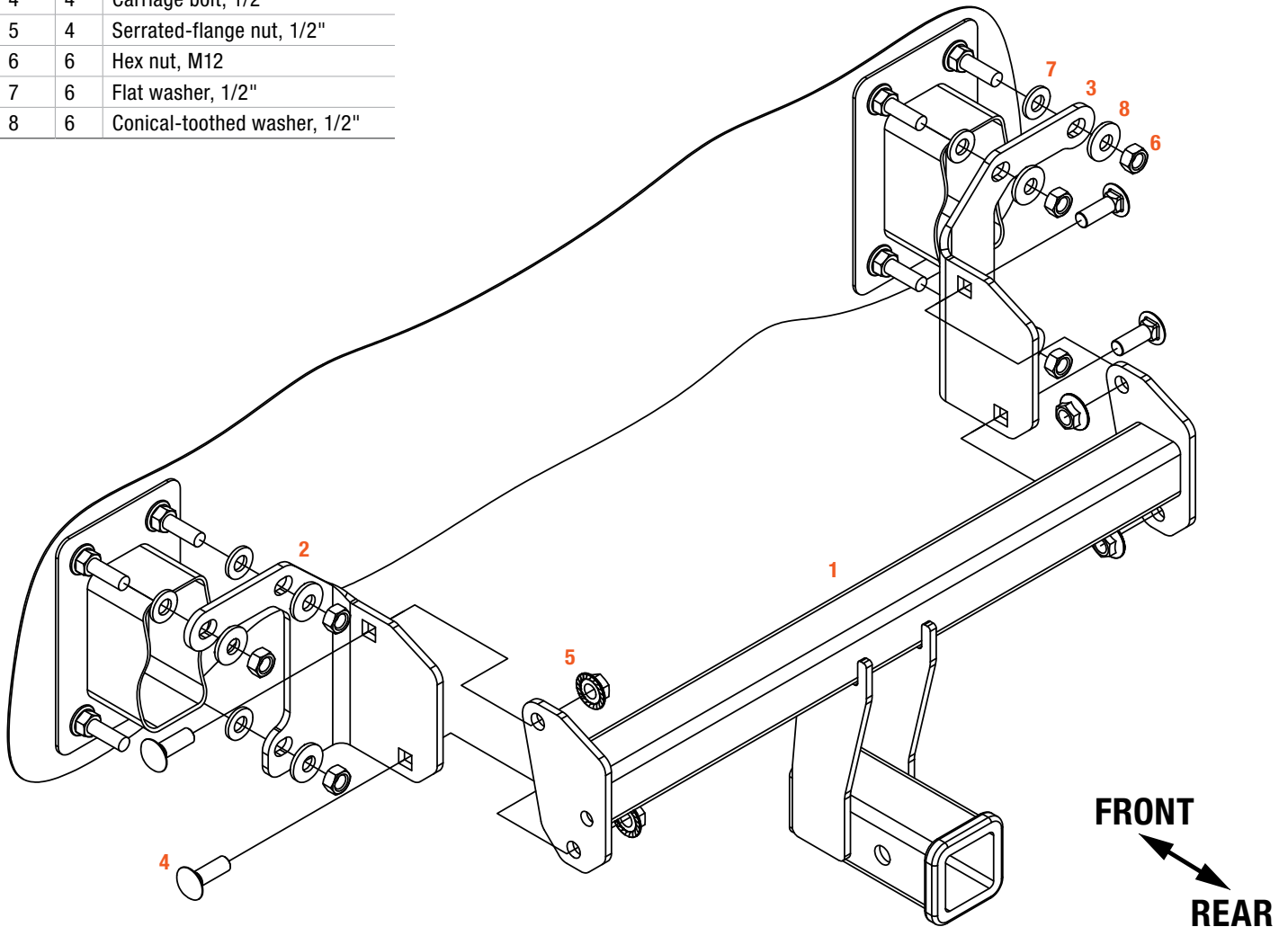
Product Registration and Warranty

CURT stands behind our products with industry-leading warranties. To get copies of the product warranties, register your purchase or provide feedback, visit: warranty.curtgroup.com/surveys

ASSEMBLY

Parts List

Item	Qty	Description
1	1	Trailer hitch
2	1	Mounting bracket, driver-side
3	1	Mounting bracket, passenger-side
4	4	Carriage bolt, 1/2"
5	4	Serrated-flange nut, 1/2"
6	6	Hex nut, M12
7	6	Flat washer, 1/2"
8	6	Conical-toothed washer, 1/2"



Step 1

Remove the four rear underbody panels, starting with the forward-most panel, then the middle panel and finally the two outer panels.



Step 2

Clean the threads of the two inner-most bumper beam studs and the top stud on the outside of each bumper beam support. Insert a flat washer (#7) over the six cleaned studs.



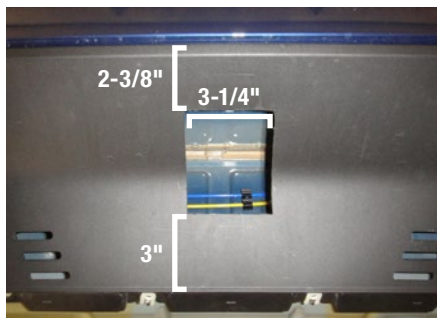
Step 3

Raise the driver and passenger-side plates into position over the studs and loosely secure with a conical-toothed washer (#8) and M12 hex nut (#6) on each stud.



Step 4

Trim the lower bumper panel using the trim diagram for reference.



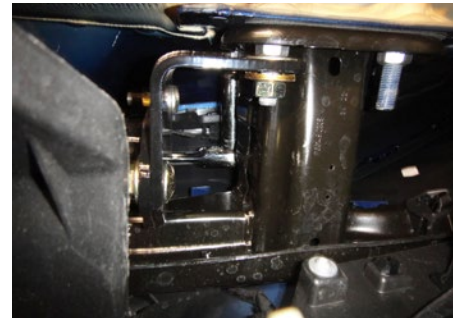
Step 5

Raise the hitch and center it up behind the bumper cover. Rotate the receiver tube into position and secure with 1/2" carriage bolts (#4) and serrated flange nuts (#5).



Step 6

Torque all 1/2" fasteners to 90 ft-lbs. and all M12 hardware to 82 ft-lbs. Reinstall all panels removed in step 1.



Final Installed Image



TOWING BASICS & SAFETY INFORMATION

For information on safely towing your trailer, visit curtmfg.com/understanding-towing.