

13571

03-07 NISSAN MURANO

08/07/2020

GROSS LOAD CAPACITY WHEN USED AS A WEIGHT CARRYING HITCH: 3,500 LBS. TRAILER WEIGHT & 350 LBS. TONGUE WEIGHT.

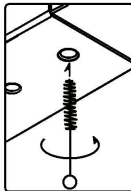
*****DO NOT EXCEED VEHICLE MANUFACTURER'S RECOMMENDED TOWING CAPACITY.*****

WARNING: ALL NON-TRAILER LOADS APPLIED TO THIS PRODUCT MUST BE SUPPORTED BY AUXILIARY STABILIZING STRAPS.

**** FAILURE TO PROPERLY SUPPORT NON-TRAILER LOADS WILL VOID PRODUCT WARRANTY****

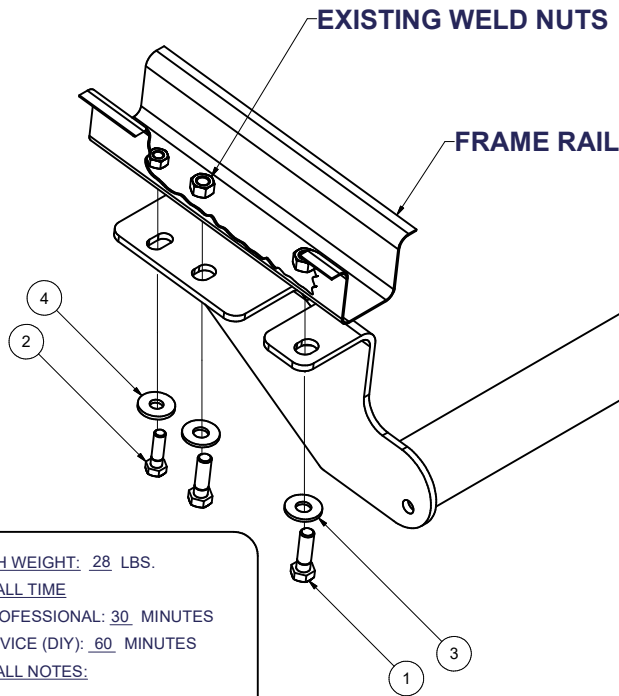
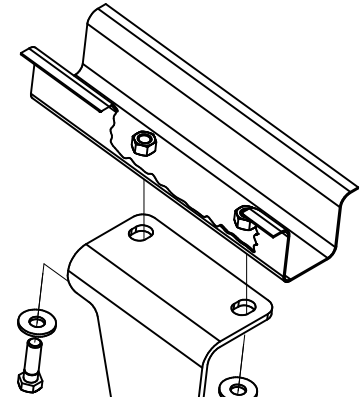
HAVING INSTALLATION QUESTIONS? CALL TECHNICAL SUPPORT AT 1-877-287-8634

Parts List			
ITEM	QTY	PART NUMBER	DESCRIPTION
1	4	10-10277	HHCS,M12x1.25,40CL10.9,YZ
2	1	10-10298	HHCS,M10x1.25,35,CL10.9,YZ
3	4	30-00149	WASHER,S-CON,1/2,YZ
4	1	30-00163	WASHER, S-CON,7/16,YZ



WELDNUT CLEANING

To remove debris from weldnuts in frame, spray lubricant or compressed air into hole. For heavy debris, use a small wire brush. (Be careful not to damage threads).



FRONT
↑
REAR

HITCH WEIGHT: 28 LBS.

INSTALL TIME

PROFESSIONAL: 30 MINUTES

NOVICE (DIY): 60 MINUTES

INSTALL NOTES:

- REMOVE TIE DOWN BRACKET
- LOWER EXHAUST
- NO DRILLING REQUIRED

INSTALLATION STEPS

1. Remove the tie down bracket under driver's side frame rail. Lower vehicle's exhaust enough to allow hitch assembly to pass over twin exhaust tips and position under frame rails. Support the exhaust to prevent damage.
2. Use conical washers and metric fasteners to attach hitch under frame rails at existing weld nuts as shown in diagram.
3. Torque M12 fasteners to 86 lb.-ft. Torque M10 fasteners to 48 lb.-ft.
4. Raise exhaust back into position lowered in step 1.

PERIODICALLY CHECK THIS RECEIVER HITCH TO ENSURE THAT ALL FASTENERS ARE TIGHT AND THAT ALL STRUCTURAL COMPONENTS ARE SOUND.

Curt Manufacturing Inc., warrants this product to be free of defects in material and/or workmanship at the time of retail purchase by the original purchaser. If the product is found to be defective, Curt Manufacturing Inc., may repair or replace the product, at their option, when the product is returned, prepaid, with proof of purchase. Alteration to, misuse of, or improper installation of this product voids the warranty. Curt Manufacturing Inc.'s liability is limited to repair or replacement of products found to be defective, and specifically excludes liability for incidental or consequential loss or damage.