

# INSTALLATION MANUAL

# 1500250

## Level of Difficulty

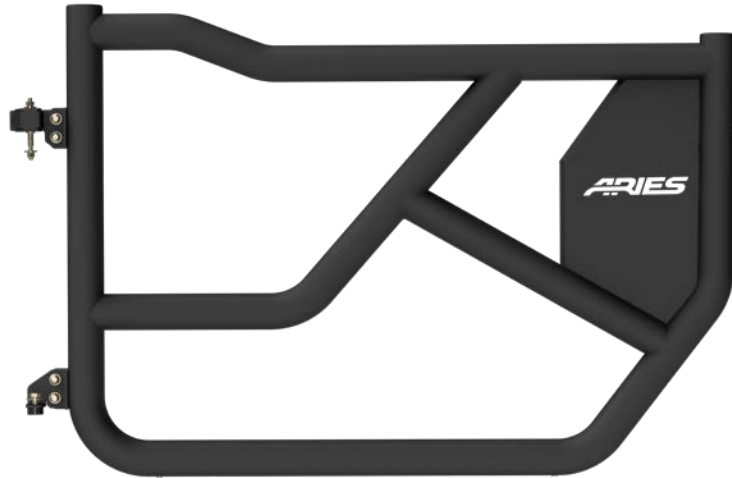
Moderate

Installation difficulty levels are based on time and effort involved and may vary depending on the installer level of expertise, condition of the vehicle and proper tools and equipment.

## Parts List

Qty	Description
1	Driver / left front door
1	Passenger / right front door
1	Driver / left upper hinge assembly
1	Passenger / right upper hinge assembly
1	Driver / left lower hinge bracket
1	Passenger / right lower hinge bracket
2	Rubber bumpers
1	Driver / left latch assembly
1	Passenger / right latch assembly
1	Driver / left latch bracket
1	Passenger / right latch bracket
4	Latch mounting shims, 1mm
4	Latch mounting shims, 2mm
2	Tube spacers, 26mm x 23mm x 10mm
4	Double nut plates, 8mm
8	Button head bolts, 8mm x 25mm
2	Hex bolts, 8mm x 25mm
2	Flat washers, 8mm x 24mm x 2mm
8	Flat washers, 8mm x 16mm x 1.6mm
10	Lock washers, 8mm
8	Button head bolts, 6mm x 25mm
20	Flat washers, 6mm x 18mm x 1.6mm
6	Lock washers, 6mm
4	Nylon lock nuts, 6mm
2	Hex nuts, 6mm
2	Button head bolts, 4mm x 20mm
2	Flat washers, 4mm x 8.65mm x 0.8mm
1	Wrench, 5mm
1	Wrench, 4mm
1	Wrench, 2.5mm

## Product Photo



## NOTICE

Visit [www.ariesautomotive.com](http://www.ariesautomotive.com) for a full-color copy of this instruction manual, as well as helpful videos, guides and much more!

Before you begin installation, read all instructions thoroughly.

Proper tools will improve the quality of installation and reduce the time required.

Periodic inspection of your product should be performed to ensure all hardware and / or components remain secure.

To help prevent damage to the product or vehicle, refer to the specified torque specifications when securing hardware during the installation process.

## Maintenance

Mild automotive detergent may be used to clean the product. Do not use dish detergent, abrasive cleaners, abrasive pads, wire brushes or other similar products that may damage the finish.

## Product Registration and Warranty

ARIES stands behind our products with industry-leading warranties. To get copies of the product warranties, register your purchase or provide feedback, visit: [warranty.curtgroup.com/surveys](http://warranty.curtgroup.com/surveys)

## Tools Required

Socket wrench	Allen wrenches (included)
Socket , 13mm	--

## Torque Specifications

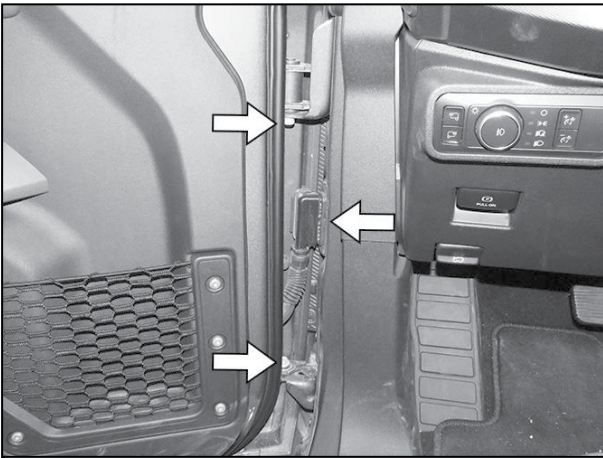
M6 bolt	7 ft-lbs.
M8 bolt	16 ft-lbs.
Use above torque setting unless otherwise noted	

## PROCEDURE:

**REMOVE CONTENTS FROM BOX. VERIFY ALL PARTS ARE PRESENT. READ INSTRUCTIONS CAREFULLY BEFORE STARTING INSTALLATION. ASSISTANCE IS RECOMMENDED.**

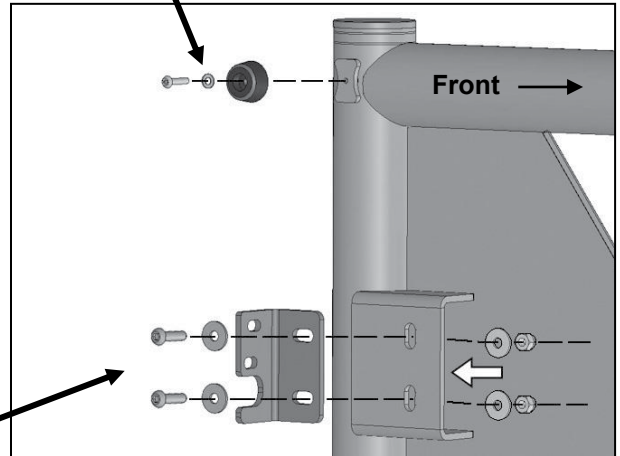
1. Start installation at the driver/left front door. Unplug the wiring harness leading to the door, **(Figure 1)**.
2. Remove the hardware attaching the top and bottom hinges to the door frame and remove the door, **(Figure 1)**. Refer to owner's manual for full door removal instructions.
3. Carefully unwrap the driver/left Tubular Door assembly. Select (1) Rubber Bumper. Attach the Rubber Bumper to the threaded hole in the top corner of the door with the included (1) 4mm Button Head Screw and (1) 4mm Flat Washer, **(Figure 2)**. Do not fully tighten hardware at this time.
4. Select the driver/left Latch Mounting Bracket. Attach the Bracket to the Door Assembly with the included (2) 6mm x 25mm Button Head Bolts, (4) 6mm Flat Washers and (2) 6mm Nylon Lock Nuts, **(Figures 2 & 3)**. Do not fully tighten hardware at this time.
5. Attach the driver/left Latch Assembly to the outside of the Mounting Bracket with the included (2) 6mm x 25mm Button Head Bolts, (2) 6mm Lock Washers and (2) 6mm Flat Washers, **(Figure 4)**. Do not fully tighten hardware at this time.
6. Select the driver/left Upper Hinge Assembly. Attach the Hinge Assembly to the outside of the mounting tab on the Door Assembly with the included (2) 8mm x 25mm Button Head Bolts, (2) 8mm Lock Washers, (2) 8mm Flat Washers and (1) 8mm Double Nut Plate, **(Figure 5)**. Do not fully tighten hardware.
7. Next, select the driver/left Lower Hinge Bracket. Attach the Bracket to the outside of the lower mounting tab on the Door Assembly with the included (2) 8mm x 25mm Button Head Bolts, (2) 8mm Lock Washers, (2) 8mm Flat Washers and (1) 8mm Double Nut Plate, **(Figure 6)**. Do not fully tighten hardware.
8. Select (1) Tube Spacer. Place the Tube Spacer over the lower hinge mount on the door frame, **(Figures 7 & 8)**.
9. Carefully hold the door in place over the hinges on the vehicle. Guide the Upper Hinge Pin down and into the hinge. Secure the Hinge Pin to the hinge with (1) 6mm Flat Washer, (1) 6mm Lock Washer and (1) 6mm Hex Nut, **(Figure 9)**. Leave Hex Nut loose at this time.
10. Attach the bottom Hinge Bracket to the top of the lower hinge and Tube Spacer with the included (1) 8mm x 25mm Hex Bolt, (1) 8mm Lock Washer and (1) 8mm x 25mm Flat Washer, **(Figure 9)**. Do not fully tighten hardware at this time.
11. Open and close the door a few times to center the hinge pins in the hinges. Center the Door assembly in the opening in the vehicle. Adjust as necessary and fully tighten Hinge to Door hardware only.
12. Place the included 6mm Flat Washers between the Rubber Bumper and the Tube Door to adjust the Door in or out as necessary, **(Figures 10 & 11)**.
13. Adjust the position of the Latch assembly outward in the slots as far as possible. Snug but do not fully tighten hardware. Slowly close the door and check to see if the Latch is lined up with the center of the striker. Insert the included Thick and/or Thin Shims as necessary between the Latch and the Bracket to line up Latch with striker, **(Figure 12)**.
14. Adjust the Latch up or down to line up with striker, **(Figure 13)**. **IMPORTANT:** Make sure Latch will fully close and open properly before fully tightening Latch hardware. Check to see that the latch fully closes then gradually move the latch in toward the door to tighten up the door and fully tighten all hardware, **(Figure 14)**.
15. Once Door is fully adjusted, tighten the top 6mm Hex Nut and bottom 8mm Hex Bolt hardware on the Hinges until there is slight resistance in the door operation, **(Figures 15 & 16)**.
16. Repeat **Steps 1—15** to install the passenger/right Door assembly.
17. Do periodic inspections to the installation to make sure that all hardware is secure and tight.

**Driver/left Side Installation Pictured**



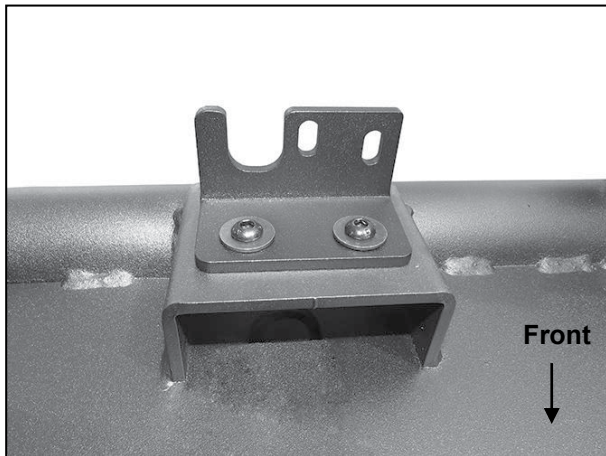
**(Fig 1) Unplug wiring harness leading to door. Remove hardware attaching door to vehicle (arrows)**

**4mm Button Head Screw  
4mm Flat Washer**



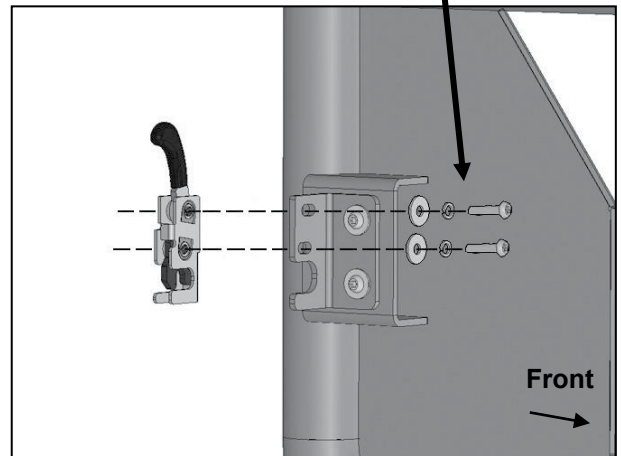
**(Fig 2) Attach Rubber Bumper to top of Tubular Door. Attach driver/left Latch Mounting Bracket to Door**

**(2) 6mm x 25mm Button Head Bolts  
(4) 6mm Flat Washers  
(2) 6mm Nylon Lock Nuts**



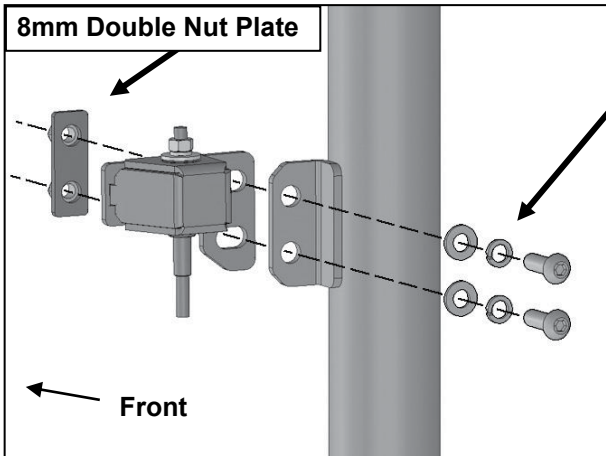
**(Fig 3) Driver/left Latch Bracket installed**

**(2) 6mm x 25mm Button Head Bolts  
(2) 6mm Lock Washers  
(2) 6mm Flat Washers**



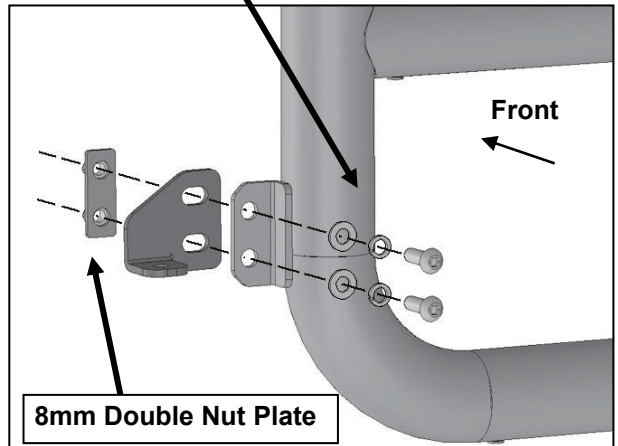
**(Fig 4) Attach driver/left Latch Assembly to Latch Bracket.**

**Driver/left Side Installation Pictured**

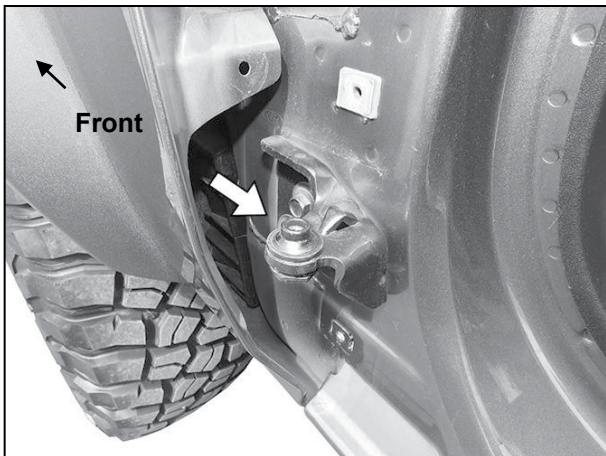


**(Fig 5) Attach driver/left Upper Hinge Assembly to mounting tab on back of Door**

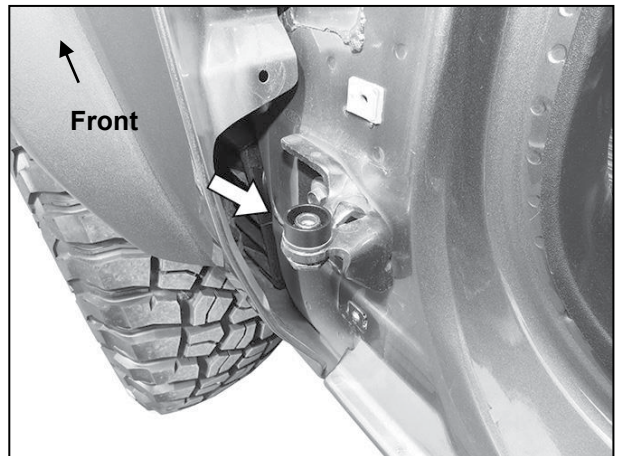
- (2) 8mm x 25mm Button Head Bolts
- (2) 8mm Lock Washers
- (2) 8mm x 16mm Small Flat Washers



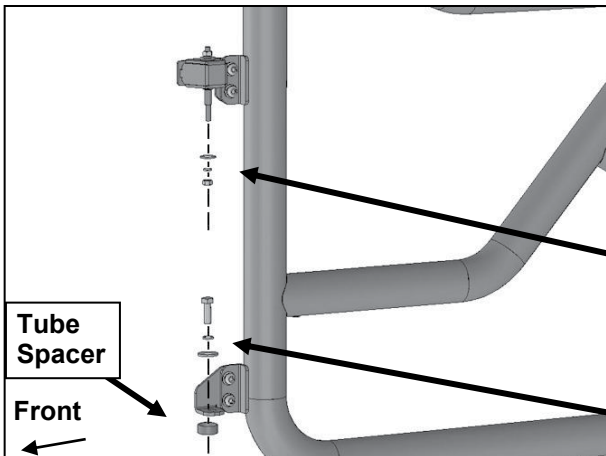
**(Fig 6) Attach driver/left Lower Hinge Bracket to mounting tab on back of Door**



**(Fig 7) Driver/left lower hinge post on vehicle**



**(Fig 8) Slide Tube Spacer onto hinge post (arrow)**



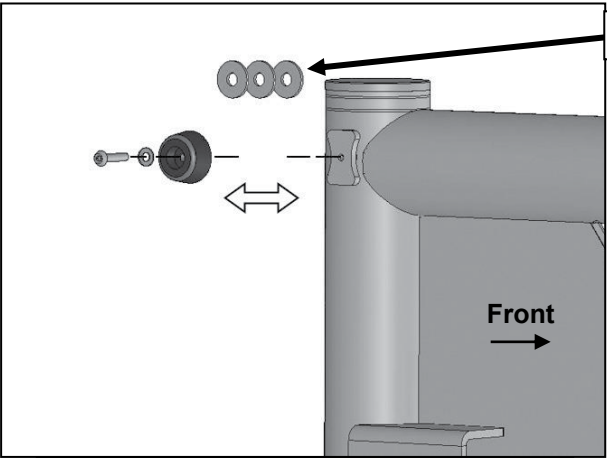
**(Fig 9) Lift door, guide Upper Hinge Pin down through hinge on vehicle**

- 6mm Flat Washer
- 6mm Lock Washer
- 6mm Hex Nut

- 8mm x 25mm Hex Bolt
- 8mm Lock Washer
- 8mm x 24mm Large Flat Washer

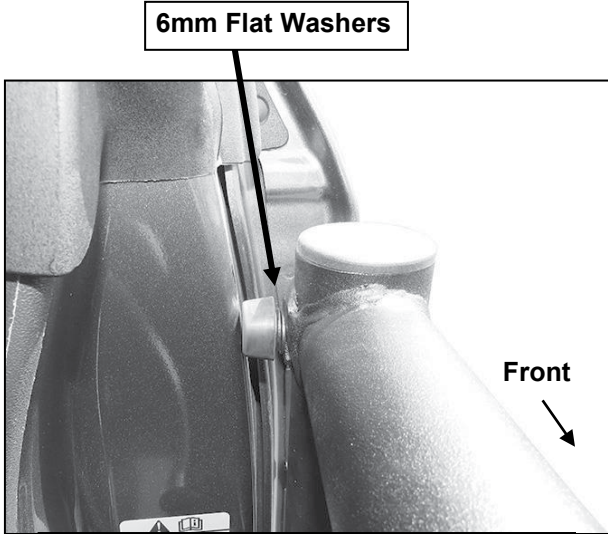


Driver/left Side Installation Pictured



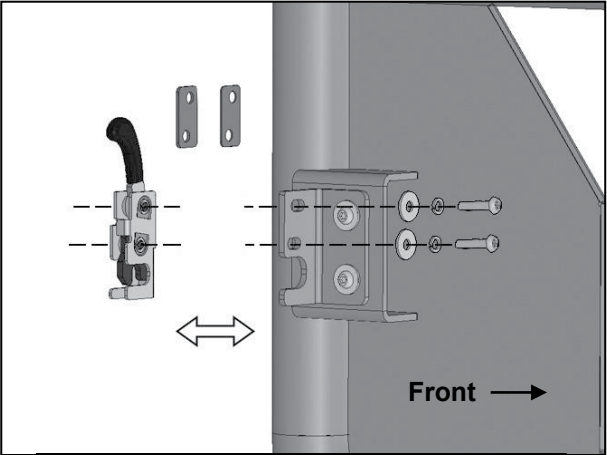
6mm Flat Washers

(Fig 10) Insert 6mm Flat Washers between Rubber Bumper and Tubular Door to adjust Door in or out as needed

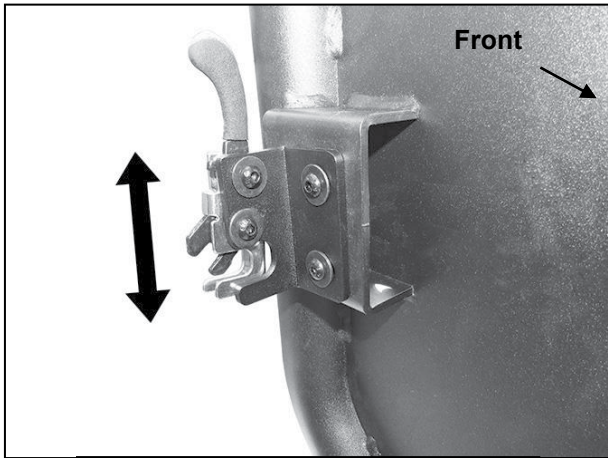


6mm Flat Washers

(Fig 11) Adjust Door in or out as needed



(Fig 12) Insert the included 2-Hole Thick or Thin shims between the Bracket and Latch to line up Latch with striker

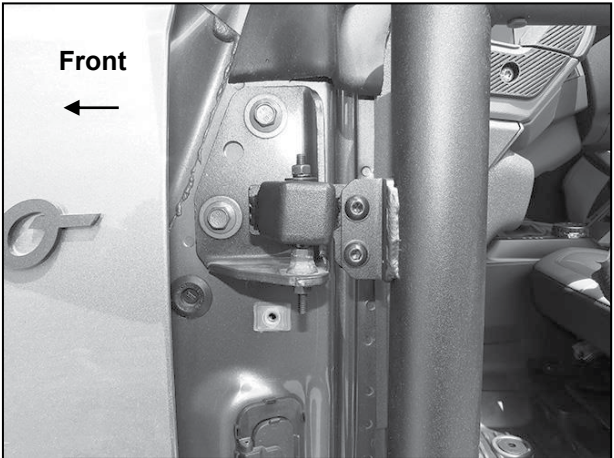


(Fig 13) Loosen hardware. Adjust Latch up or down to match striker

**Driver/left Side Installation Pictured**



**(Fig 14) Adjust Door and Latch assembly for proper operation before fully tightening hardware. Make sure door latch fully closes against striker**



**(Fig 15) Tighten hardware on Hinges (driver/left Upper Hinge pictured)**



**(Fig 16) Tighten hardware on Hinges (driver/left Lower Hinge pictured)**



**Complete Installation**