

15316**99 - 03 FORD F-250 / F-350 SUPER DUTY WITH 10" STEP BUMPER
(FITS ONLY WITH 16" SPARE)****9/29/2020**

GROSS LOAD CAPACITY WHEN USED AS A WEIGHT CARRYING HITCH: 16,000 LBS. TRAILER WEIGHT & 2,400 LBS. TONGUE WEIGHT.
 GROSS LOAD CAPACITY WHEN USED AS A WEIGHT DISTRIBUTION HITCH: 17,000 LBS. TRAILER WEIGHT & 2,400 LBS. TONGUE WEIGHT

*****DO NOT EXCEED VEHICLE MANUFACTURER'S RECOMMENDED TOWING CAPACITY.*****

HAVING INSTALLATION QUESTIONS? CALL TECHNICAL SUPPORT AT 877-287-8634

Parts List			
ITEM	QTY	PART NUMBER	DESCRIPTION
1	2	10-10328	BOLT,CAR,9/16-12 UNC,1-3/4,GRD8,YZ
2	2	CM-SP73	.313 x 1.25 x 2.00" 9/16" SQUARE HOLE SPACER
3	2	20-00104	NUT,SER-FLANGE,9/16-12 UNC,GRD8,YZ
4	6	10-10272	BOLT,CAR,1/2-13 UNC,1-3/4,GRD8,YZ
5	8	10-10278	BOLT,CAR,1/2-13 UNC,1-1/4,GRD8,YZ
6	6	CM-SP1	.250 x 1.50 x 2.00" SQUARE HOLE SPACER
7	14	20-00062	NUT,SER-FLANGE,1/2-13 UNC,GRD8,YZ

TOOLS REQUIRED

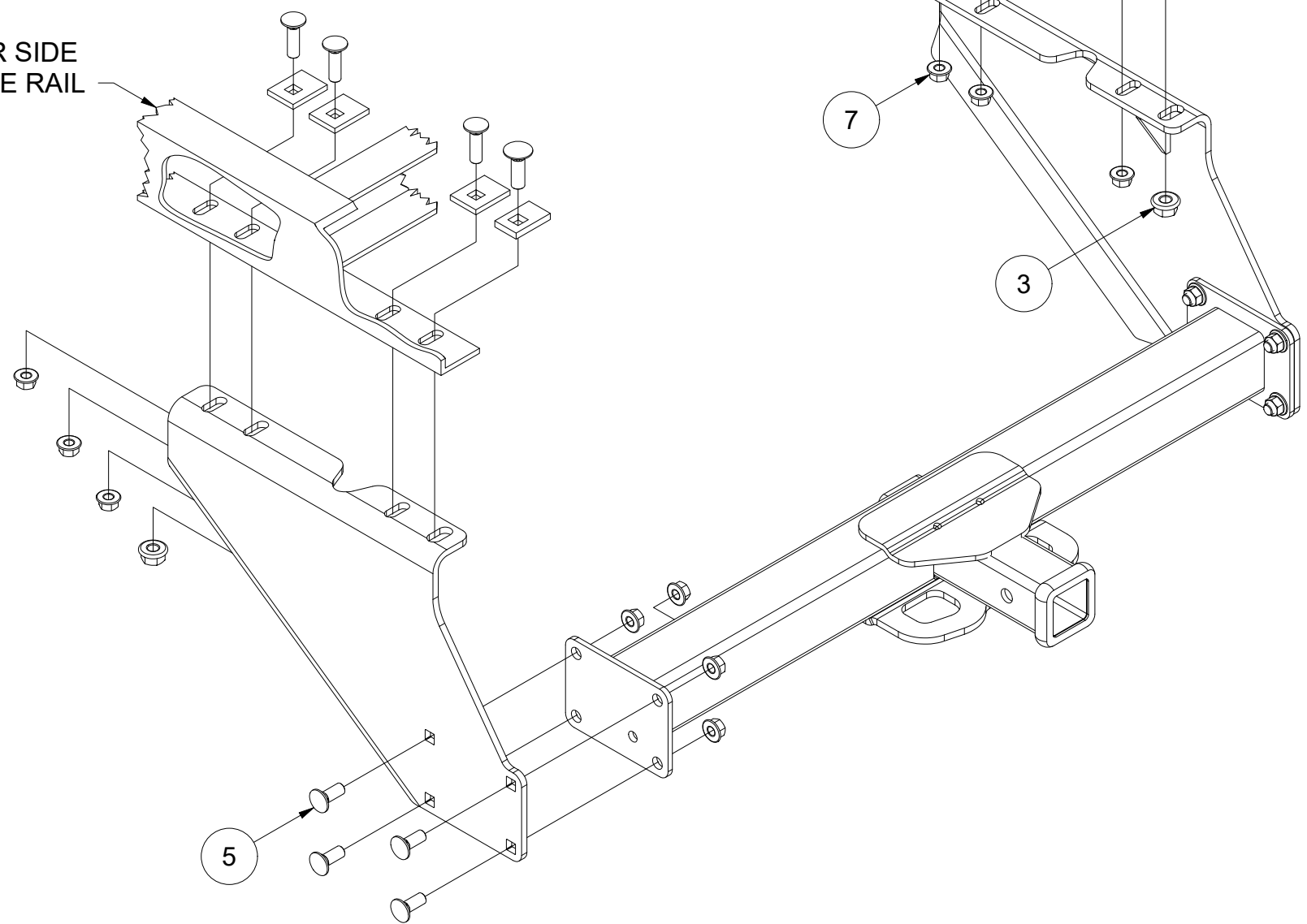
7/8" & 3/4" SOCKETS

12" EXTENSION

RATCHET

TORQUE WRENCH

LOCKING PLIERS / C-CLAMPS

DRIVER SIDE
FRAME RAIL

HITCH WEIGHT: 76 LBS.

INSTALL TIME

PROFESSIONAL: 30 MINUTES

NOVICE (DIY): 60 MINUTES

INSTALL NOTES:

- NO DRILLING REQUIRED**INSTALLATION STEPS**

- Remove the spare tire to allow room to position the hitch.
- Determine which installation method will work best for your application (a or b):
 - Attaching the side plates to receiver tube assembly prior to installation:
Secure the receiver tube assembly to the driver and passenger side plates using 1/2" x 1 1/4" carriage bolts and hex flange nuts as shown. **NOTE:** Be sure the side plates are mounted with the flanges positioned inward.
 - Attaching the side plates to the frame prior to installation:
Align the frame rivets with the reliefs in the side plates. Loosely attach the side plates to the frame, as shown above. **NOTE:** Be sure 9/16" hardware is in vehicles rear most mounting locations and the side plates are mounted with the flanges positioned inward.
- Align the hitch under the vehicle so that the frame rivets align with the reliefs in the side plates. Use locking pliers or c-clamps to hold the hitch in place.
 - Raise the receiver tube assembly into position secure it to the driver and passenger side plates with 1/2" x 1 1/4" carriage bolts and hex flange nuts, as shown above.
- Loosely attach the side plates to the frame, as shown above. **NOTE:** Be sure 9/16" hardware is in vehicles rear most mounting locations.
 - Center hitch on vehicle and tighten frame hardware.
- Torque all 1/2" hardware to 110 ft-lbs and all 9/16" hardware to 150 ft-lbs.
- Reinstall the spare tire. **NOTE:** While raising the spare tire back into position, push the tire forward slightly and let it rest on the front of the receiver tube assembly.

**PERIODICALLY CHECK THIS RECEIVER HITCH TO ENSURE THAT ALL FASTENERS
ARE TIGHT AND THAT ALL STRUCTURAL COMPONENTS ARE SOUND.**

Curt Manufacturing LLC., warrants this product to be free of defects in material and/or workmanship at the time of retail purchase by the original purchaser. If the product is found to be defective, Curt Manufacturing LLC., may repair or replace the product, at their option, when the product is returned, prepaid, with proof of purchase. Alteration to, misuse of, or improper installation of this product voids the warranty. Curt Manufacturing LLC.'s liability is limited to repair or replacement of products found to be defective, and specifically excludes liability for incidental or consequential loss or damage.