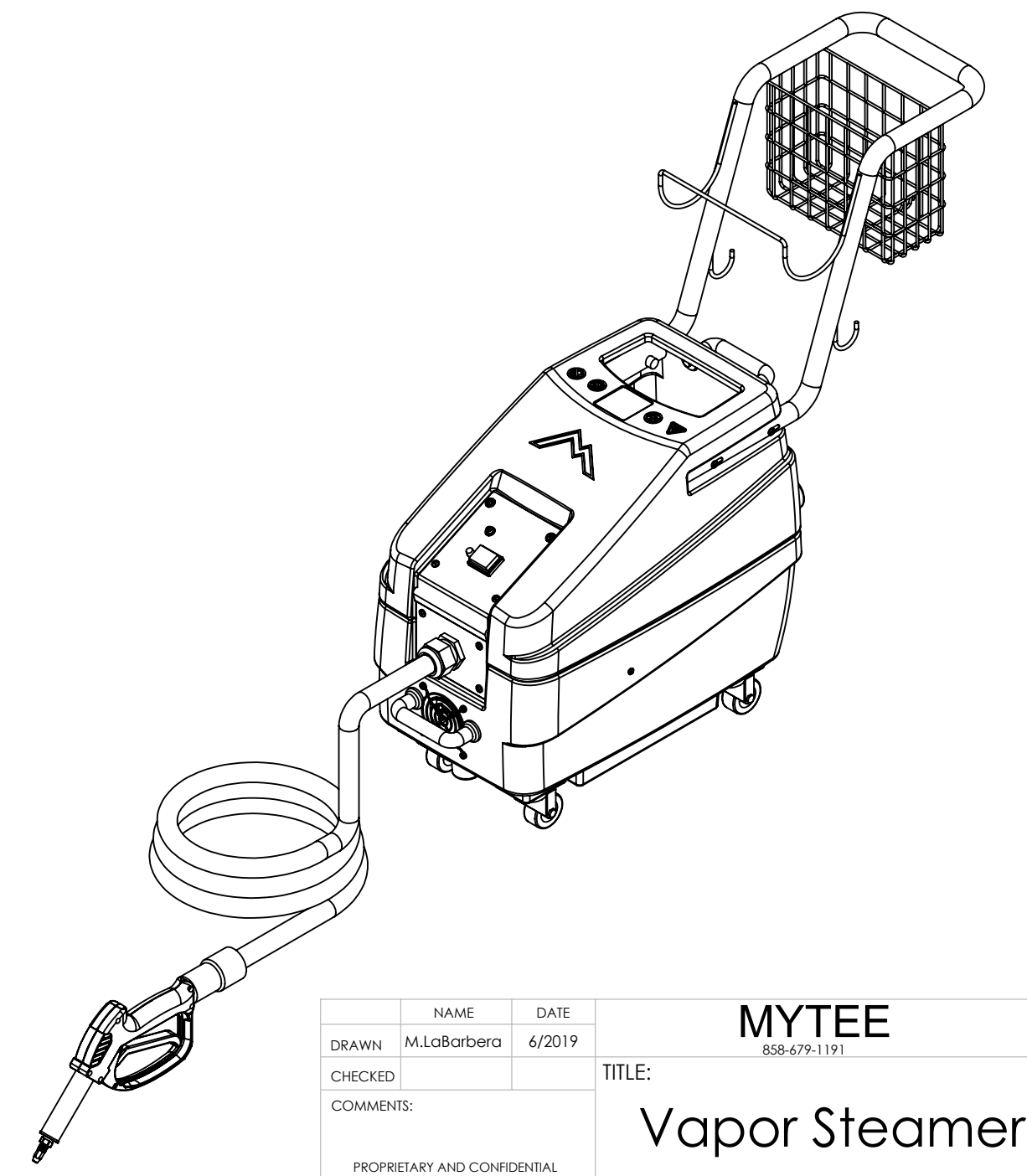


ITEM NO.	PART NO.	DESCRIPTION	QTY.
1	PH719-4	outer hose	1
2	G643	o-ring, 7/16" od x 5/16" id, 5/64 width	2
3	B220	spray nozzle, steamer	1
4	H876	washer, 1/2 flat, s/s	1
5	B142	coupling, 1/4" fpt x 1/4" fpt	1
6	B303	nipple, 3" long x 1/4" npt x 1/4" npt	1
7	H540	gun, high pressure	1
8	B105	bushing, brass, 3/8"mpt x 1/4"	1
9	H958	cuff, grey vinyl, 1" hose x 1" female slip	1
10	PH719-216	outer hose	1
11	H172	fitting, strain relief, hose, 1"	1
12	G086-6	gasket, U channel, 3/16 x 3/4 x 15/32 x 9/16	1
13	A942	pressure hose	1
14	H283	nut, lock, 1" steel, electrical	1
15	H273	nut, kep, #10-32 zinc	25
16	H381	front plate	1
17	H230	screw, 10-32 x 1/2" phil pan head, s/s	16
18	H485	handle, aluminum grip, black	2
19	H211	washer, 1/4" id x 1" od, flat, s/s	8
20	H202	bolt, 1/4-20 x 3/4" hex head, s/s	4
21	E523	controller, liquid level, steamer	1
22	H186	screw, 10-32 x 3/4, phil, flat, countersunk, s/s, black	3
23	H316	bolt, 1/4-20 x 1-1/2" hex head, s/s	4
24	H210	washer, 1/4" flat, s/s	2
25	G641	feet, kettle, steamer	4
26	H215	nut, hex, 1/4-20 s/s	4
27	H393	kettle, steamer, w/lid, 1600	1
28	H972	coil, heating, 1750W, 115V, 1600	1
29	G642	o-ring, 6" od x 1/4" width	1
30	H562	screw, 1/4-20 x 1-1/4", socket head cap, s/s	8
31	B108	valve, brass, 1/4" check	1
32	B103	elbow, 90 deg street, 1/4"mpt x 1/4" fpt	4
33	B156	nut, 1/4" npt	1
34	B113	tee, 1/4" fpt x 1/4" fpt x 1/4" fpt	1
35	B541	valve, relief, 250 psi	1
36	B107	nipple, hex, 1/4"mpt x 1/4"mpt	3
37	H212	flat washer, 9/16"ID x 1 1/16"OD, AN960-C916	5
38	B111	adapter, brass, extender, 1/4" mpt x 1/4" fpt, hex	1
39	E374	level float, vacuum shut-off, s/s, n/c, rear threads	1
40	B110	adapter, brass, 1/4" sw barb x 1/4" fpt, w/gasket	3
41	B170	ferrule, 1/4" brass	6
42	PH634-16	sol hose, 1/4", silicone braided, clear	1
43	C378	pump, 55psi, 115V flojet	1
44	B131	barb, 1/4" barb x 1/8" mpt	2
45	B143	street elbow, 90 degrees, 1/8"	2
46	H250	bracket, set 55 psi pump	2
47	H256	screw, 10-32 x 3/4" phil pan head	18
48	PH634-8	sol hose, 1/4", silicone braided, clear	1
49	H221	nut, lock, 1/2" steel, electrical	1
50	H487	bracket, hinge	1
51	E531	power cord, end, 25', 12/3 black	1
52	H220	fitting, strain relief, cord	1
53	H296	guard, cooling fan, wire	4
54	H304	screw, #8 x 5/8 phil oval, s/s	16
55	P742	base, steamer	1
56	H369	Screw, M4 x 8mm, Phil Pan Head, S/S	1
57	H289	washer, 10 flat, s/s	4
58	H561	jet bracket, ECO-17	1
59	E524	thermostat, w/bulb, steamer	1
60	H681	caster, 2", black hub, gray tread	4
61	B136	elbow, brass, 90 deg, 1/4" mpt x 1/4" mpt	2

ITEM NO.	PART NO.	DESCRIPTION	QTY.
62	B656	valve, ball, 1/4" fpt x 1/4" fpt, s/s	1
63	B646	adapter, 1/4" mpt x 1/8" fpt	1
64	H380	switch plate	1
65	E515	switch, rocker, 2 position	1
66	E511	light, red, 250v	1
67	H389	screw, 10-32 x 1/2" SHCS, alloy	1
68	G052	washer, buna 1-1/8" od x 3/16" id	2
69	H688-A	handle w/ basket, MyteeLite	1
70	H222	screw, 10-32 x 1-1/4" phil pan head, s/s	4
71	H423	plug, 7/8", black, heyco	2
72	H846B	cap, gallon jug, 1-5/8"	1
73	P743	solution tank, steamer	1
74	B119	filter, strainer, 1/4"	1
75	B130	45 deg, street elbow, brass, 1/4" male NPTF	1
76	PH634-16	sol hose, 1/4", silicone braided, clear	1
77	B109	barb, 1/4" barb x 1/4" mpt	1

ITEMS NOT SHOWN

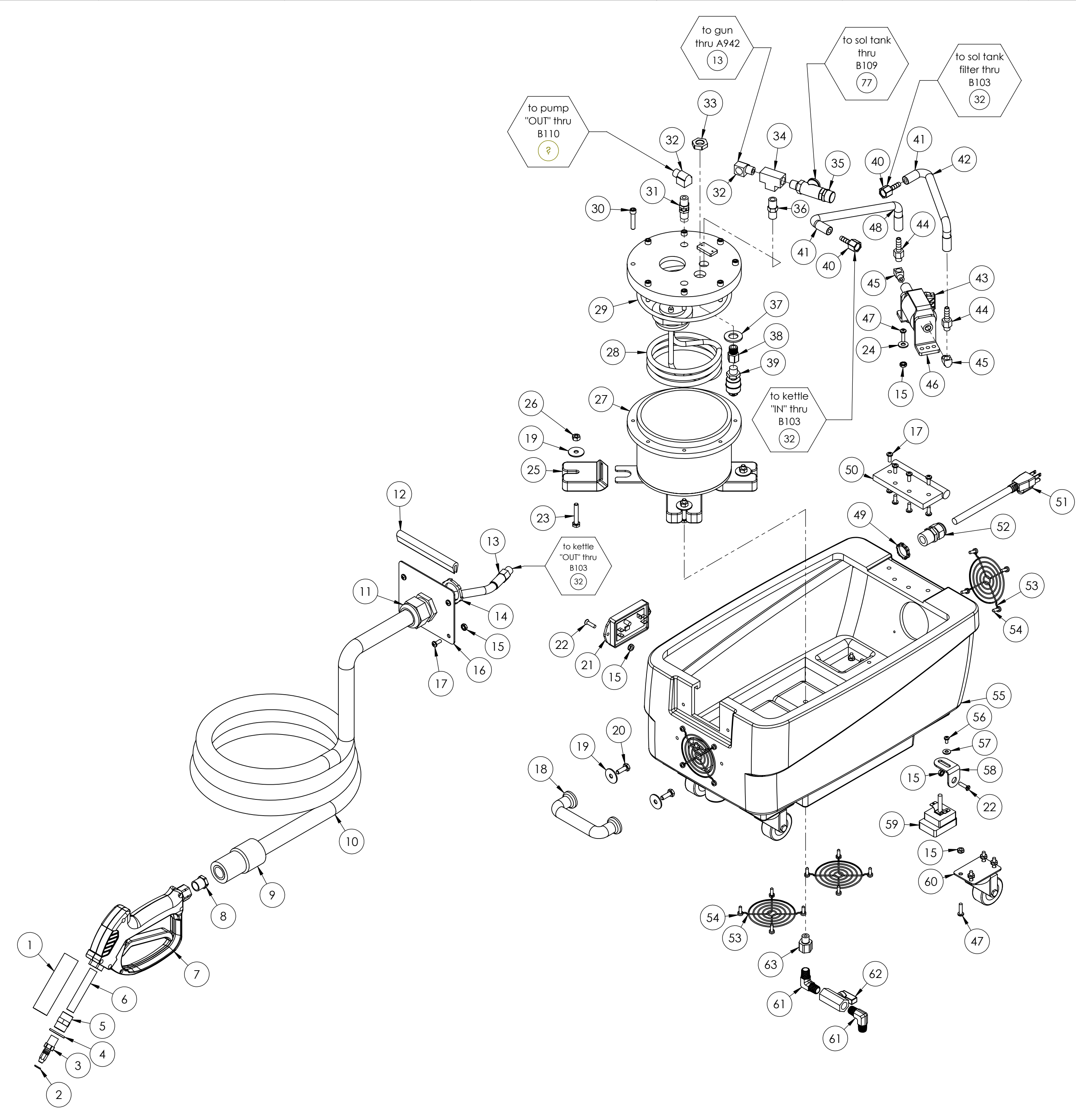
PART NO.	DESCRIPTION	QTY
E342	harness, electrical, 1500	1
G017	insulation, heater wrap	3
VS04	small nylon brush	3
VS05	large nylon brush	3
VS07	jet nozzle attachment	3
VS15	metal brush	3
VS16	gum scraper tool	3



NAME		DATE		MYTEE 858-679-1191	
DRAWN	M.LaBarbera	6/2019			
CHECKED				TITLE:	
COMMENTS:				Vapor Steamer	
<small>PROPRIETARY AND CONFIDENTIAL THE INFORMATION CONTAINED IN THIS DRAWING IS THE SOLE PROPERTY OF MYTEE LLC. ANY REPRODUCTION IN PART OR AS A WHOLE WITHOUT THE WRITTEN PERMISSION OF MYTEE LLC IS PROHIBITED.</small>					
SCALE:	DWG. NO.	REV			
C	1600	OD			
SCALE: 1:6	DO NOT SCALE DRAWING	SHEET 1 OF 3			

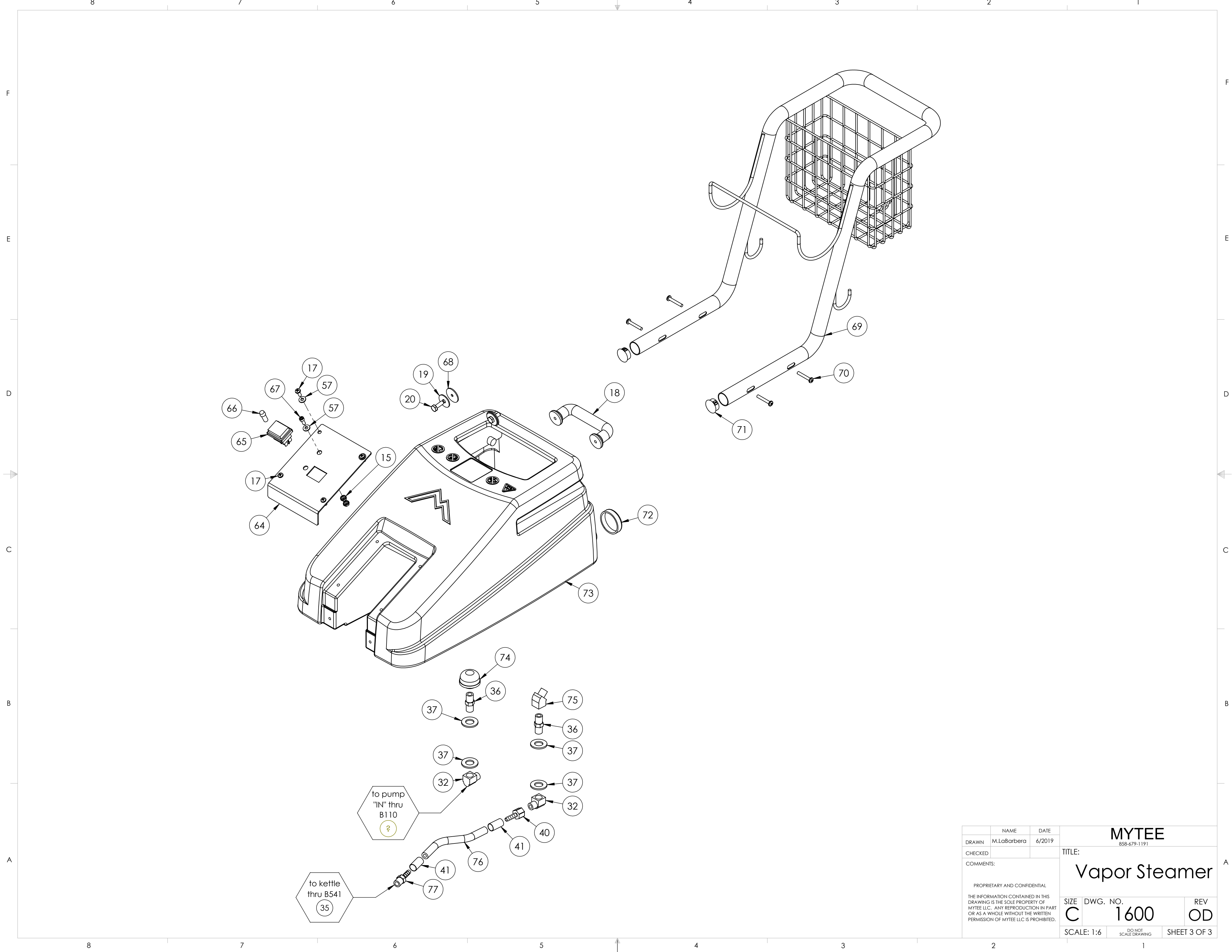
8 7 6 5 4 3 2 1

F
E
D
C
B
A



	NAME	DATE	MYTEE	
DRAWN	M.LaBarbera	6/2019	858-679-1191	
CHECKED			TITLE:	
COMMENTS:			Vapor Steamer	
<small>PROPRIETARY AND CONFIDENTIAL THE INFORMATION CONTAINED IN THIS DRAWING IS THE SOLE PROPERTY OF MYTEE LLC. ANY REPRODUCTION IN PART OR AS A WHOLE WITHOUT THE WRITTEN PERMISSION OF MYTEE LLC IS PROHIBITED.</small>			SIZE DWG. NO. C 1600	REV OD
SCALE: 1:6			DO NOT SCALE DRAWING	SHEET 2 OF 3

8 7 6 5 4 3 2 1



	NAME	DATE	MYTEE	
DRAWN	M.LaBarbera	6/2019	858-679-1191	
CHECKED			TITLE:	
COMMENTS:			Vapor Steamer	
<small>PROPRIETARY AND CONFIDENTIAL THE INFORMATION CONTAINED IN THIS DRAWING IS THE SOLE PROPERTY OF MYTEE LLC. ANY REPRODUCTION IN PART OR AS A WHOLE WITHOUT THE WRITTEN PERMISSION OF MYTEE LLC IS PROHIBITED.</small>			SIZE	REV
			C	OD
			DWG. NO.	
			1600	
SCALE: 1:6			DO NOT SCALE DRAWING	SHEET 3 OF 3