

Parts List

1	Driver / left side bar
1	Passenger / right side bar
1	Driver / left mounting bracket, front
1	Passenger / right mounting bracket, front
1	Driver / left mounting bracket, rear
1	Passenger / right mounting bracket, rear
4	Hex bolt, M6 x 50mm
4	Lock nut, M6 x 20mm
4	Double bolt plate, 10mm
8	Flat washer, 10mm ID x 26mm OD
8	Lock washer, 10mm
8	Hex nut, 10mm
4	Hex bolt, M12 x 35mm
4	Hex bolt, 12mm x 60mm
4	Lock washer, 12mm
4	Flat washer, 12mm x 25mm x 2.5mm
4	Flat washer, 12mm ID x 31mm OD
4	Hex nut, M12

Level of Difficulty

Easy

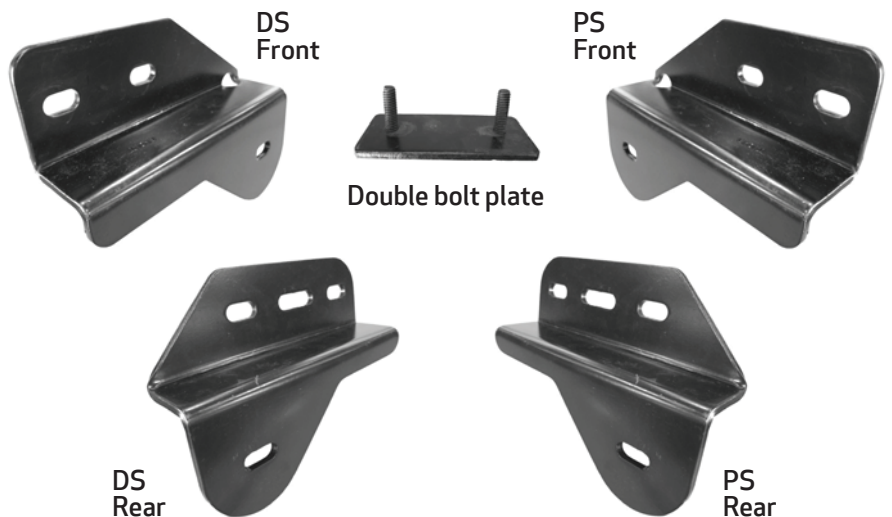


Scan for helpful install tips

Product Image



Brackets and Hardware



Notes and Maintenance

Before you begin installation, read all instructions thoroughly.

Proper tools will improve the quality of installation and reduce the time required.

To protect the product, wax after installing. Regular waxing is recommended to add a protective layer over the finish. Do not use any type of polish or wax that may contain abrasives that could damage the finish.

For gloss black finishes, mild soap may be used to clean the product.

Procedure

1. Starting on the driver-side of vehicle, remove the plastic covers from the inner rocker panel, see figure 1. Insert one double bolt plate into factory slotted hole, see figure 2.
2. Locate the driver-side front mounting bracket. Hold the double bolt plate from one side while you position and attach the mounting bracket to the opposite side. Once you attach one bolt, proceed to attach the second bolt on the double bolt plate using two 10mm hex nuts, two 10mm lock washers and two 10mm flat washers, see figures 3 and 4. Snug the hardware, but do not fully tighten.
3. Repeat steps 2 and 3 to install the driver-side rear mounting bracket.
4. Once the mounting brackets are partially mounted, position the side bar onto the mounting brackets. Attach the side bar to the brackets using two 12mm x 60mm hex bolts, two 12mm lock washers and two 12mm flat washers, see figure 5. Snug the hardware, but do not fully tighten.
6. Adjust side bar so that it is level and centered, and tighten all bolts to complete the driver-side installation.
7. Repeat this process for the passenger-side of the vehicle.
8. Congratulations on the installation of your new ARIES 3" round side bars. With the side bars installed, periodic inspections should be performed to ensure all mounting hardware remains tight.

To protect your investment, see the 'Notes and Maintenance' section on the first page of this instruction manual.

