

INSTALLATION MANUAL

2074118

Level of Difficulty

Easy

Parts List

1	Driver / left rocker step
1	Passenger / right rocker step
2	Support bracket, front
4	Support bracket, middle / rear
12	Hex bolt, M6
24	Flat washer, M6
12	Nylock nut, M6
6	Hex bolt, M8
6	Lock washer, M8
6	Flat washer, M8
6	Hex bolt, M10
12	Flat washer, M10
6	Nylock nut, M10

Tools Required

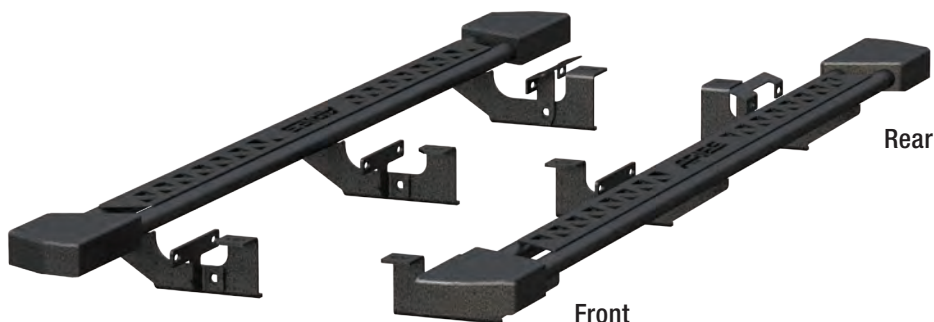
Ratchet	Socket set
Ratchet extension	Wrench set
Level	--

Torque Specifications

Metric	M6 bolt	3 ft-lbs.
	M8 bolt	7 ft-lbs.
	M10 bolt	16 ft-lbs.
	M12 bolt	28 ft-lbs.
SAE	1/4" bolt	3 ft-lbs.
	5/16" bolt	7 ft-lbs.
	3/8" bolt	16 ft-lbs.
	7/16" bolt	20 ft-lbs.
	1/2" bolt	28 ft-lbs.

Use above torque setting unless otherwise noted

Product Photo



Notes and Maintenance

Before you begin installation, read all instructions thoroughly.

Proper tools will improve the quality of installation and reduce the time required.

To protect the product, wax after installing. Regular waxing is recommended to add a protective layer over the finish. Do not use any type of polish or wax that may contain abrasives that could damage the finish.

For polished, gloss and other smooth finishes, polish may be used to clear small scratches and scuffs on the finish.

Mild automotive detergent may be used to clean the product. Do not use dish detergent, abrasive cleaners, abrasive pads, wire brushes or other similar products that may damage the finish.

Refer to the table to the left when securing hardware during the installation process to help prevent damage to the product or vehicle.

Product Registration

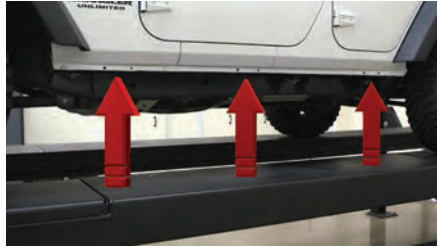
CURT Group stands behind our products with industry leading warranties. You can help us continue to improve our product line and help us understand your needs by registering your purchase by visiting:

warranty.curtgroup.com/surveys

At CURT Group, customer is king. We value your feedback and we use that information to make improvements on our products. Please, take a minute and let us know how we are doing.

Step 1

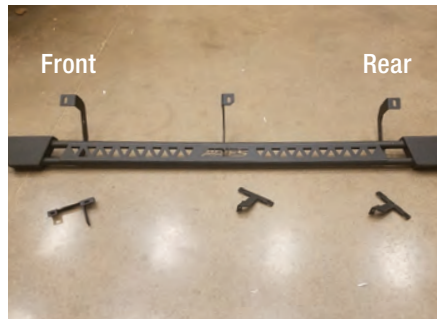
Locate the three mounting points along the bottom edge of the vehicle body.



Step 2

Attach each support bracket to the rocker steps using an M10 hex bolt, two flat washers and a nylock nut.

Snug the hardware, but do not fully tighten at this time.



Step 3

Starting on the driver-side front mounting location, locate the factory threaded hole on the vehicle frame.



Step 4

With help, lift the rocker step into position and align the brackets on the rocker step with the mounting points on the vehicle.



Step 5

Secure the front rocker step attachment point with an M8 hex bolt, lock washer and flat washer using the factory threaded hole.

Secure the front rocker step attachment point by inserting an M6 hex bolt and flat washer on the outside and a flat washer and nylock nut on the inside.



Step 6

Repeat step 5 for the middle and rear attachment points.

With the rockers steps in position, it is recommended to tighten all brackets to the vehicle first, followed by the rocker step connections.



Step 7

Repeat steps 1 through 6 on the passenger side of the vehicle.

Congratulations on the installation of your new ARIES rocker steps.

With the rocker steps installed, periodic inspections should be performed to ensure all mounting hardware remains tight.

To protect your investment, see the 'Notes and Maintenance' section on the first page of this instruction manual.

