

INSTALLATION INSTRUCTIONS AND PARTS LIST

VEHICLE APPLICATION: MODEL 251440 (12.00" X 20.00") AND 251443 (12.00" X 23.00")
2014 AND NEWER GM PICKUPS

1. READ INSTRUCTIONS COMPLETELY AND CHECK TO MAKE SURE THAT ALL REQUIRED PARTS (LISTED ON SERVICE PARTS LIST) ARE ON HAND BEFORE STARTING THE INSTALLATION.

MOUNTING FRONT SPLASH GUARDS ON SILVERADO & SIERRA: (SEE SHEET #2)

2. INSTALL THE SPLASH GUARDS AS FOLLOWS:
 - 2.1 REMOVE TWO FACTORY SCREWS THAT HOLD THE PLASTIC GUARD IN PLACE. **(THESE SCREWS ARE NOT REUSED, BUT THE PLASTIC GUARD WILL REMAIN).**
 - 2.2 POSITION THE SPLASH GUARD AGAINST THE WHEEL WELL FLANGE AND INSTALL TWO HEX HEAD SEMS SCREWS WITH FENDER WASHERS (ITEMS #5,7) THRU THE TWO LOWER HOLES AS SHOWN IN FIG. 1. AND TIGHTEN DOWN.
 - 2.3 WITH THE SPLASHGUARD LEVELED AND TIGHTENED, DRILL A 3/16" HOLE THROUGH THE WHEEL WELL FLANGE AND INSTALL THE 1/4" SELF TAPPING SCREW AND FENDER WASHER (ITEMS #6,7) DO NOT OVER TIGHTEN THIS SCREW.
 - 2.4 REPEAT FOR OPPOSITE SIDE

MOUNTING REAR SPLASH GUARDS ON CHEVROLET SILVERADO: (SEE SHEET #3)

3. INSTALL THE SPLASH GUARDS AS FOLLOWS:
 - 3.1 REMOVE TWO FACTORY SCREWS THAT HOLD THE PLASTIC GUARD IN PLACE. **(THESE SCREWS ARE NOT REUSED, BUT THE PLASTIC GUARD WILL REMAIN).**
 - 3.2 POSITION THE SPLASH GUARD AGAINST THE WHEEL WELL FLANGE AND INSTALL TWO HEX HEAD SEMS SCREWS WITH FENDER WASHERS (ITEMS #5,7) THRU THE TWO LOWER HOLES AS SHOWN IN FIG. 2. AND TIGHTEN DOWN.
 - 3.3 WITH THE SPLASHGUARD LEVELED AND TIGHTENED, DRILL A 3/16" HOLE THROUGH THE WHEEL WELL FLANGE AND INSTALL THE 1/4" SELF TAPPING SCREW AND FENDER WASHER (ITEMS #6,7) DO NOT OVER TIGHTEN THIS SCREW.
 - 3.4 REPEAT FOR OPPOSITE SIDE.

MOUNTING REAR SPLASH GUARDS ON GMC SIERRA: (SEE SHEET #4)

4. INSTALL THE SPLASH GUARDS AS FOLLOWS:
 - 4.1 CUT OUT THE DRILLING TEMPLATES ON SHEET # 5 FOR THE LOWER (2) HOLES AND TAPE TO THE WHEEL WELL MOLDING, LINING UP THE OUTER AND LOWER EDGES. DRILL (2) 1/8" DIA. HOLES TO ENSURE PROPER LOCATION. THEN DRILL A 7/32" DIA. HOLE.
 - 4.2 POSITION THE SPLASH GUARD AGAINST THE WHEEL WELL MOLDING AND INSTALL (2) 10-24 X 1.0" PHILLIPS TRUSS SCREWS WITH FENDER WASHERS (ITEMS #5,7) THRU THE (2) LOWER HOLES AS SHOWN IN FIG. 3. TIGHTEN DOWN WITH THE (2) HEX FLANGE NUTS (ITEM#8).
 - 4.3 WITH THE SPLASHGUARD LEVELED AND TIGHTENED, DRILL A 3/16" HOLE THROUGH THE WHEEL WELL FLANGE AND INSTALL THE 1/4" SELF TAPPING SCREW AND FENDER WASHER (ITEMS #6,7) DO NOT OVER TIGHTEN THIS SCREW.
 - 4.4 REPEAT FOR OPPOSITE SIDE.



(A LUVERNE Company)

1200 E. Birch St.

Brandon, SD 57005

552313 SHEET 1 OF 5 24JUN13

SERVICE PARTS LIST

MODEL NO. - 251440/251443

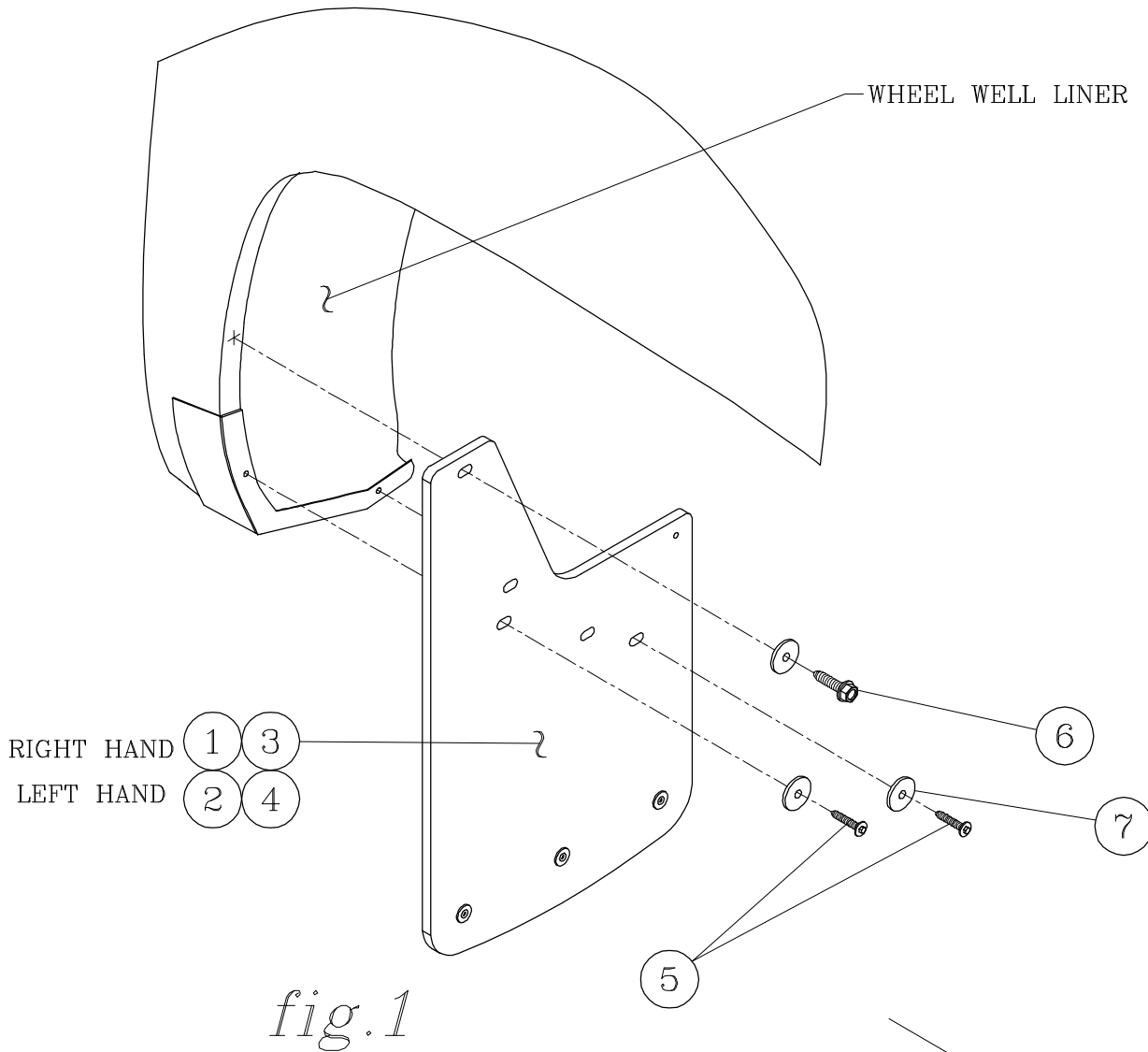


fig.1

FRONT INSTALLATION
RIGHT (PASSENGER) SIDE SHOWN

ITEM	PART NO.	QTY	DESCRIPTION
1	552309	1	SPLASH GUARD-RUBBER,12 X 20,GM PICKUPS,RH
2	552310	1	SPLASH GUARD-RUBBER,12 X 20,GM PICKUPS,LH
3	552311	1	SPLASH GUARD-RUBBER,12 X 23,GM PICKUPS,RH
4	552312	1	SPLASH GUARD-RUBBER,12 X 23,GM PICKUPS,LH
5	105514	4	SCREW - SEMS, 7MM, HEX HD, M4.2 X 30MM
6	108449	2	SCREW-HEX, SELF TAP, 14-1.0, SST
7	108521	6	WASHER - FENDER, 1/4 X 1, SST, 18-8, BZP



SERVICE PARTS LIST

MODEL NO. - 251440/251443

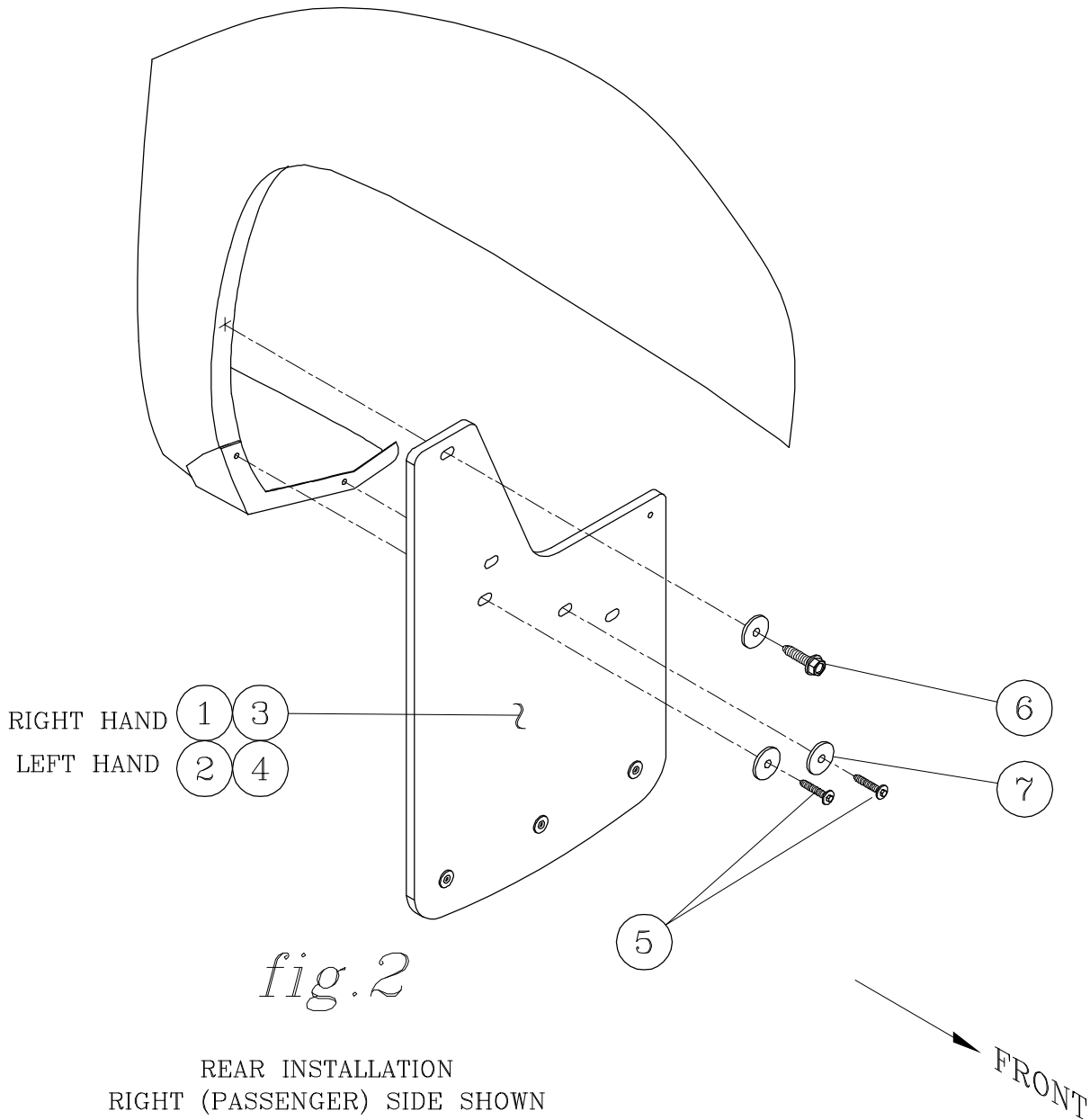


fig. 2

REAR INSTALLATION
RIGHT (PASSENGER) SIDE SHOWN

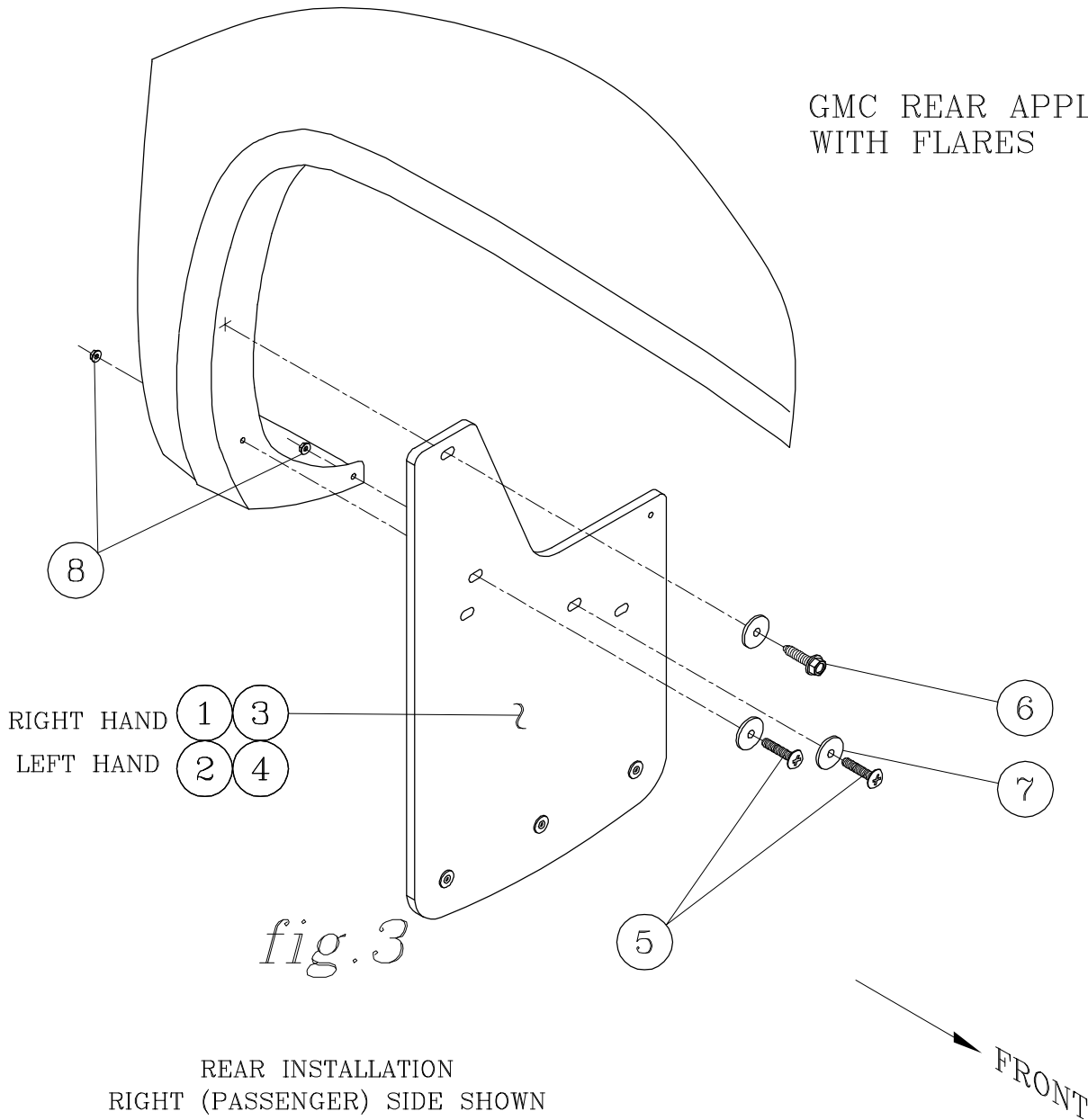
ITEM	PART NO.	QTY	DESCRIPTION
1	552309	1	SPLASH GUARD-RUBBER,12 X 20,GM PICKUPS,RH
2	552310	1	SPLASH GUARD-RUBBER,12 X 20,GM PICKUPS,LH
3	552311	1	SPLASH GUARD-RUBBER,12 X 23,GM PICKUPS,RH
4	552312	1	SPLASH GUARD-RUBBER,12 X 23,GM PICKUPS,LH
5	105514	4	SCREW - SEMS, 7MM, HEX HD, M4.2 X 30MM
6	108449	2	SCREW-HEX, SELF TAP, 14-1.0, SST
7	108521	6	WASHER - FENDER, 1/4 X 1, SST, 18-8, BZP



SERVICE PARTS LIST

MODEL NO. - 251440/251443

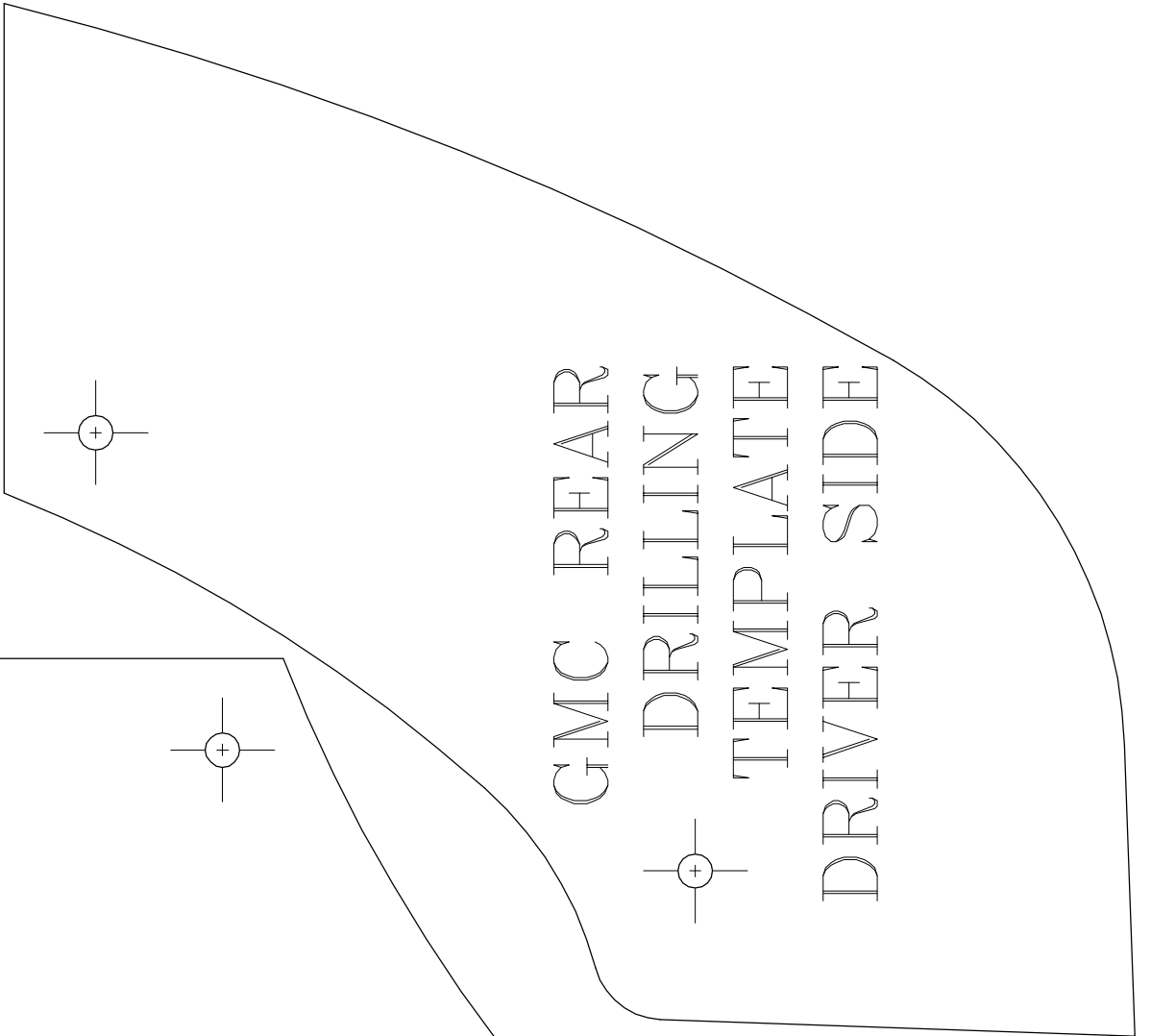
GMC REAR APPLICATION
WITH FLARES



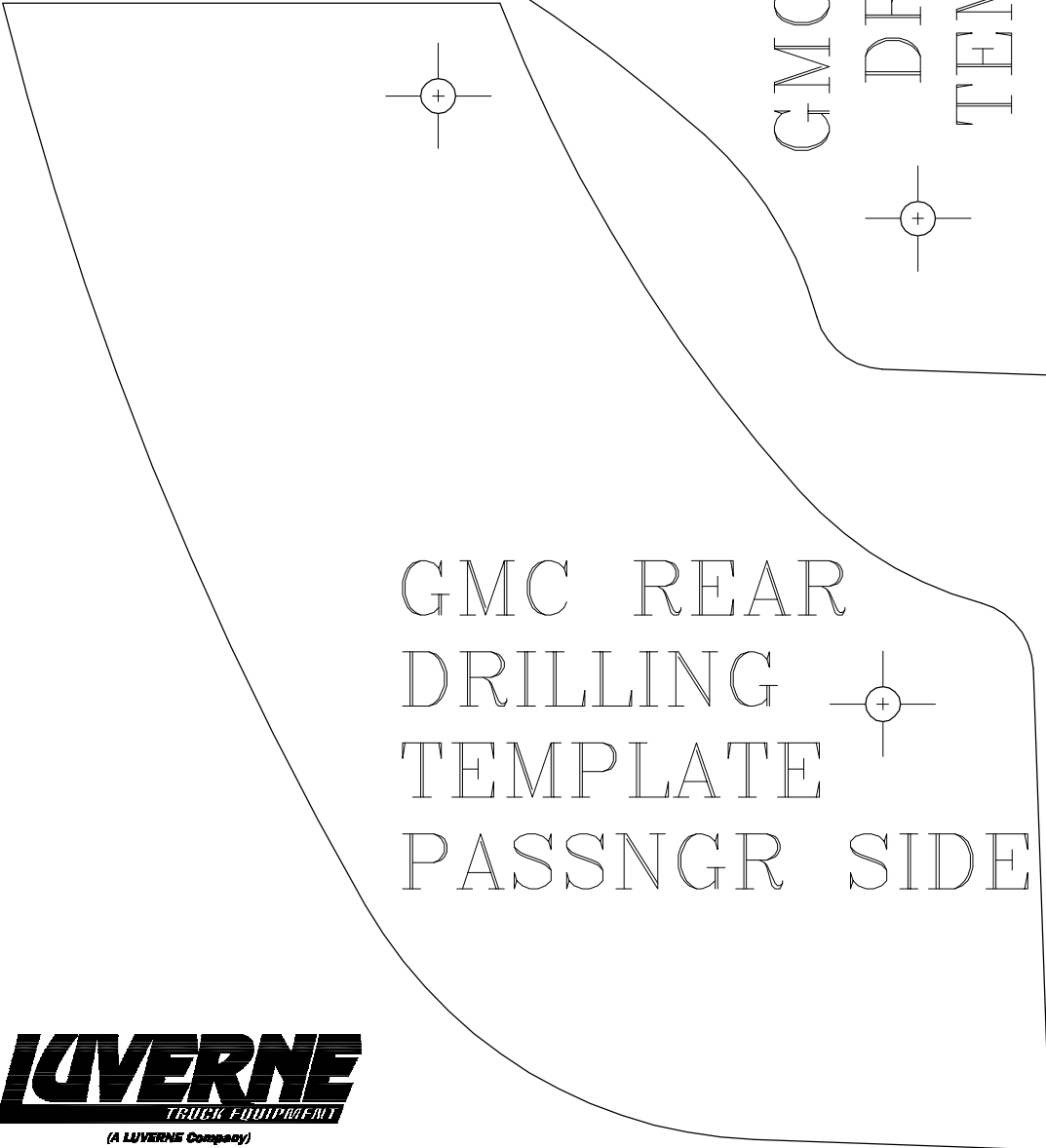
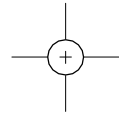
REAR INSTALLATION
RIGHT (PASSENGER) SIDE SHOWN

ITEM	PART NO.	QTY	DESCRIPTION
1	552309	1	SPLASH GUARD-RUBBER,12 X 20,GM PICKUPS,RH
2	552310	1	SPLASH GUARD-RUBBER,12 X 20,GM PICKUPS,LH
3	552311	1	SPLASH GUARD-RUBBER,12 X 23,GM PICKUPS,RH
4	552312	1	SPLASH GUARD-RUBBER,12 X 23,GM PICKUPS,LH
5	105516	4	SCREW - TRUSS HEAD, 10-2 X 1.0", SST
6	108449	2	SCREW-HEX, SELF TAP, 14-1.0, SST
7	108521	6	WASHER - FENDER, 1/4 X 1, SST, 18-8, BZP
8	104261	4	NUT-SER FLANGE, 10-24, SST

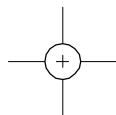




GMC REAR
DRILLING
TEMPLATE
DRIVER SIDE



GMC REAR
DRILLING
TEMPLATE
PASSNGR SIDE



(A LIVERNE Company)

1200 E. Birch St.

Brandon, SD 57005

552313 SHEET 5 OF 5 24JUN13