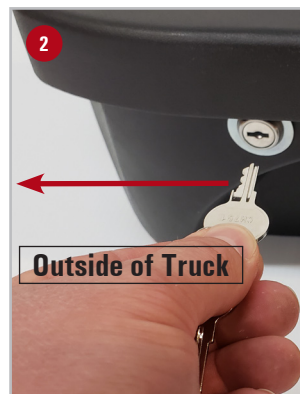


2019–2022 RAM 1500 Crew Cab (New Body Style) LOCKBOX – Underseat Storage

Fits DU-HA Part Number
30120

Installation Instructions:

- 1 Install the DU-HA Lockbox by following the instructions included with the divider kit. To remove Lockbox remove the Carabiner and rectangular washer from the RAM mounting strap. Do this on each side and remove the Lockbox. To re-install set the Lockbox back into position and slide the RAM mounting straps back through the slots in the back of the Lockbox. Then slide the rectangular washer onto the RAM mounting strap and clip the Carabiner through the hole in the RAM mounting strap, on both sides.
- 2 To lock the Lockbox insert the key into the lock with the teeth on the key pointing to the outside of the vehicle. Once the key is inserted turn the key clockwise to lock the driver's side and counter-clockwise to lock the passenger's side. When locked the teeth on the key should be pointing downward. Remove the key.
- 3 To Un-lock the Lockbox insert the key into the lock with the teeth on the key pointing downward. Turn the key counter-clockwise to unlock the driver's side and clockwise to unlock the passenger's side.
- 4 If you have the reclining back seats remove the bag holder from bottom of seats, use a flat screwdriver to remove the plastic cover on holder. Remove the bag holder using a #25 torque bit.



Passenger's Side

Driver's Side



Safety Instructions:

Warning: Make sure the DU-HA is secured in the vehicle according to installation instructions. Do not store explosives or hazardous materials in the DU-HA. Do not place loaded guns in the DU-HA. For further instructions refer to truck owner's manual or contact DU-HA.

2019 – 2022 RAM 1500 Crew Cab (New Body Style) Underseat Storage

Fits DU-HA Part Numbers:

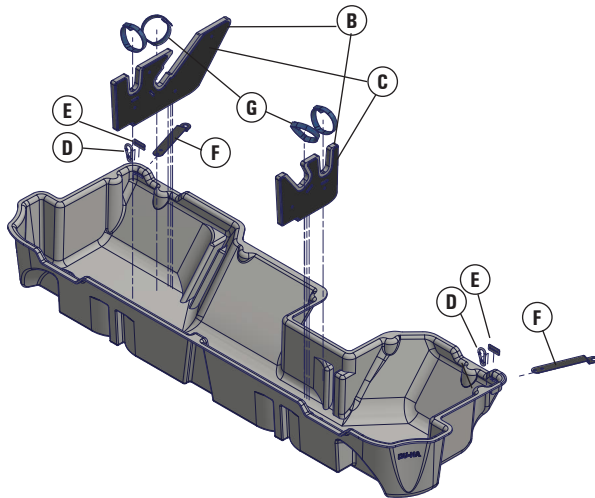
30100 30102

30101 30120

Installation Instructions:

- 1** Lift up the bottoms of both sides of the back seat. If you do not have the factory divider proceed to step 6.
- 2** Remove the factory divider, using a 10mm socket to remove the 3 bolts on each side. Remove one end at a time, may need to carefully pry out each side with a screw driver.
- 3** Remove the spring loaded handle that holds the factory divider. Remove the 2 screws using a #20 torx bit.
- 4** Remove the plastic cover around the plastic handle. Be careful not to break the plastic cover. You may need a flat screw driver to pry out the clips holding the cover.
- 5** Next, remove the plastic bracket that held the spring loaded handle. Use a 10mm socket to remove the 2 bolts holding the bracket.
- 6** Remove the 2 large bolts under the back seat one on each side (drivers and passengers side) using an 18mm socket.

Continue to Step 7



Part	Part Number	Description	Qty
A	--	DU-HA Storage Unit	1
B	Divider-30100	Foam Organizer / Gun Rack	2
C	Divider-30100	Plastic Stiffener	2
D	1001213	Carabiner	2
E	1001212	Mounting Strap Washer	2
F	1001197	RAM Mounting Strap	2
G	Velcro Straps	Velcro Strap	4



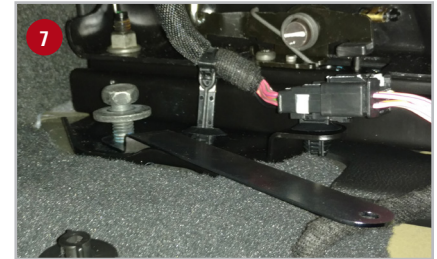
2019 – 2022 RAM 1500 Crew Cab (New Body Style) Underseat Storage

Fits DU-HA Part Numbers:

30100 30102
30101 30120

Installation Instructions:

- 7 Take the previously removed bolt and insert into the hole in the RAM mounting strap (F) (as shown with offset in strap facing downward) and thread into the hole it was removed from (1 on each side). Leave bolt loose.
- 8 Position the DU-HA (A) under the back seat, with the cut out slots facing towards the truck bed. Slide the RAM mounting straps (F) through the slots in the DU-HA (A).
- 9 Secure each RAM mounting strap (F) to the DU-HA (A) by sliding Mounting Strap Washer (E), onto the RAM mounting strap (F) and secure with Carabiner (D) through small hole in RAM mount strap (F). There are 2 small holes in the strap use the one that will hold the DU-HA in place the tightest. Tighten the 18mm bolts to secure the RAM mounting straps (F) in the truck. Torque bolts to manufacturers recommended torq spec.
- 10 Install the Foam Organizer / Gun Rack (B) and Plastic Stiffeners (C) by sliding them into the channel slots inside the DU-HA (A), as shown. Use the provided Velcro straps (G) to secure guns to the gun racks to help to keep them from moving around. Slide the Velcro strap through the hole under each gun rack slot and wrap around gun and onto itself to secure gun.
- 11 Lower the bottoms of both sides of the back seat to their original position.



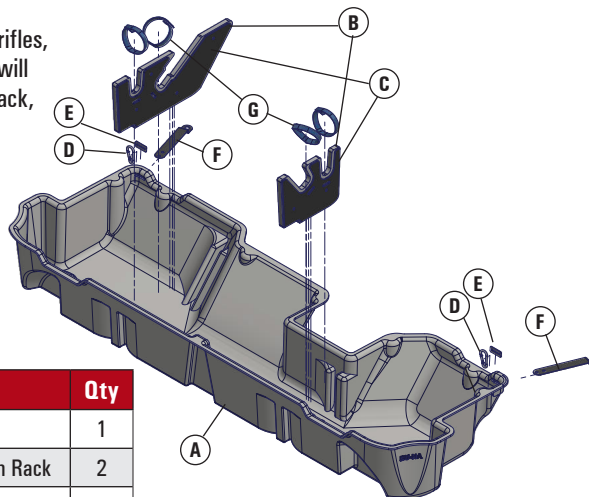
Safety Instructions:

Warning: Seat bottom must be down at all times while vehicle is moving. Make sure the DU-HA is secured in the vehicle according to installation instructions. Do not store explosives or hazardous materials in the DU-HA. Do not place loaded guns in the DU-HA.

For further instructions refer to truck owners manual or contact DU-HA, Inc.



2 shotguns or rifles,
1 with scope, will
fit in the gun rack,
as pictured.



Part	Part Number	Description	Qty
A	--	DU-HA Storage Unit	1
B	Divider-30100	Foam Organizer / Gun Rack	2
C	Divider-30100	Plastic Stiffener	2
D	1001213	Carabiner	2
E	1001212	Mounting Strap Washer	2
F	1001197	RAM Mounting Strap	2
G	Velcro Straps	Velcro Strap	4