

# EGR INSTALLATION INSTRUCTIONS

## Tools Required



Clean Dry Cloth



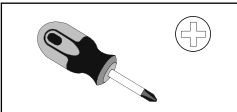
Soap & Water



Non-Permanent Marker



Pliers



#2 Phillips Head Screwdriver



## Cleaning Notes

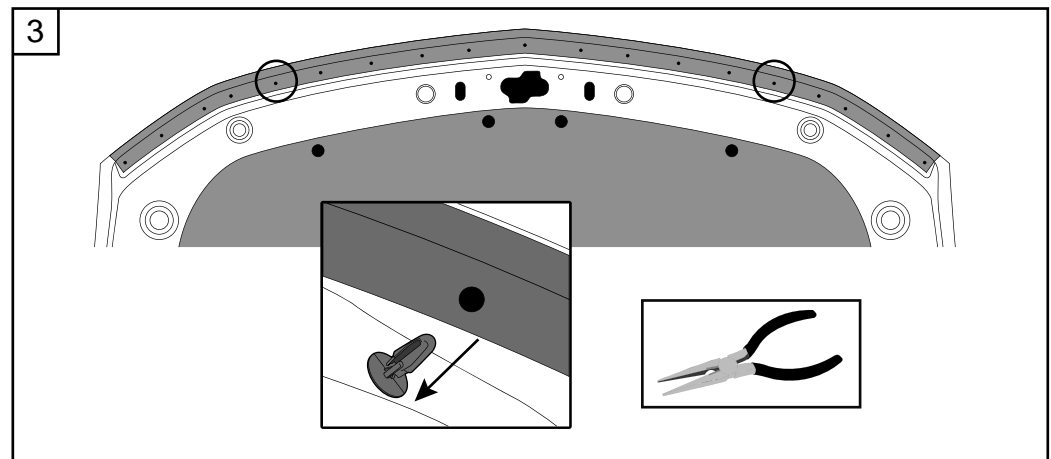
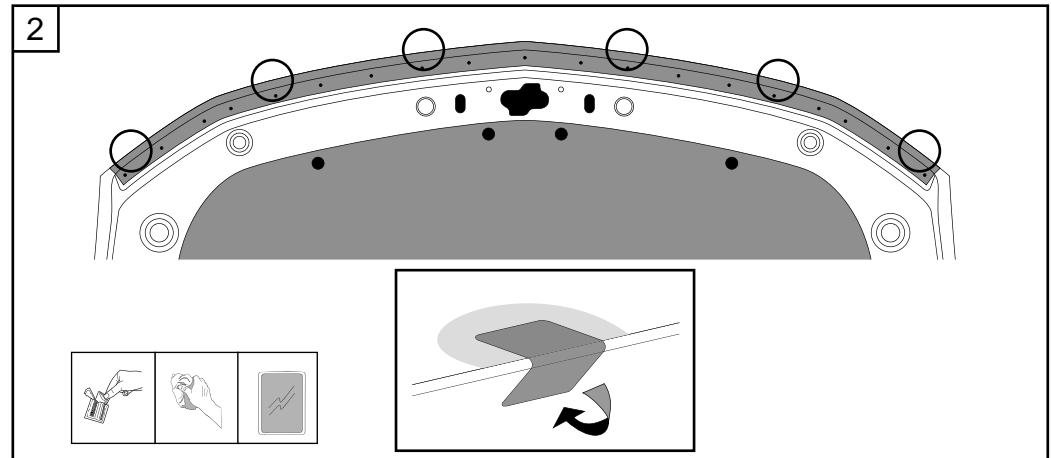
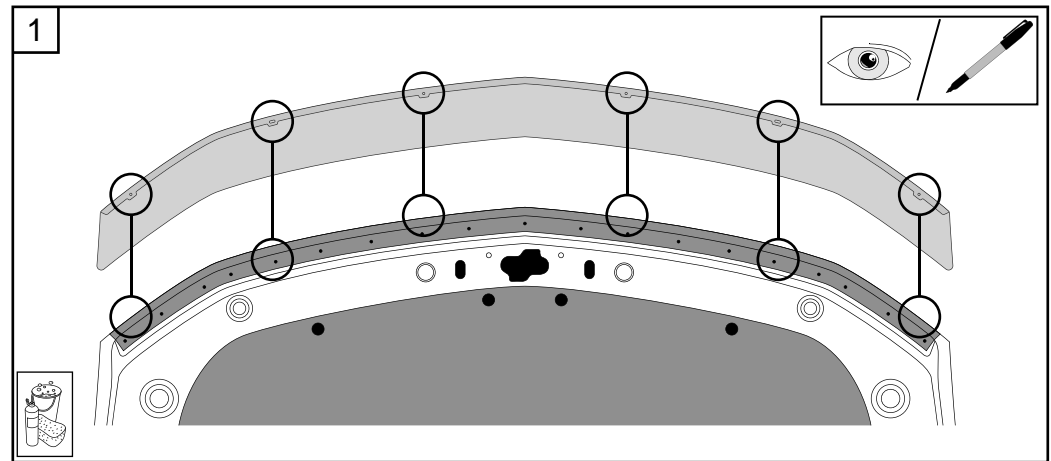
- Spray with a firm water spray to remove any loose dirt.
- Wash with water, detergent and a soft cloth or sponge.
- Do not use petroleum based solvents or abrasives.

• For Technical Support/Warranty Information please call: 800-757-7075

1. Wash the hood with a mild soap and water solution, then dry thoroughly. Open the hood. Trial fit the Hood Deflector centrally onto the hood. With a non-permanent marker, note and mark the positions of the four acrylic tag holes in the hood Deflector and where they correspond to the hood lip, also note and mark the positions of the two acrylic tag slots and where they correspond with the rubber trim retaining plugs. Remove Hood Deflector

2. Clean the six noted areas with the alcohol wipe provided. Wipe off any residue with a dry clean cloth. Pull the rubber trim down and adhere the abrasive resistant tape strips over the hood lip. Apply tape so approximately half of each strip is adhered to the top side and half is adhered to the underside of hood.

3. Using pliers remove the two rubber trim retaining plugs and discard.



# EGR INSTALLATION INSTRUCTIONS

## Tools Required



Clean Dry Cloth



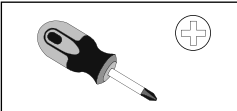
Soap & Water



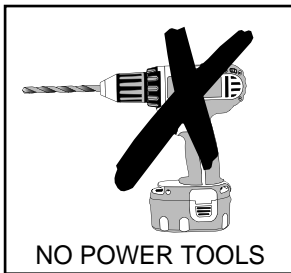
Non-Permanent Marker



Pliers



#2 Phillips Head Screwdriver



## Cleaning Notes

- Spray with a firm water spray to remove any loose dirt.
- Wash with water, detergent and a soft cloth or sponge.
- Do not use petroleum based solvents or abrasives.

• For Technical Support/Warranty Information please call: 800-757-7075

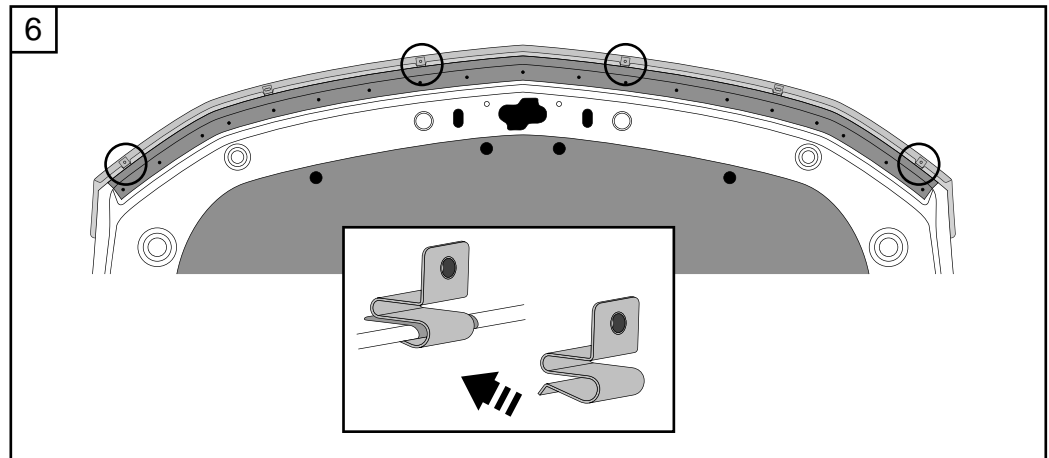
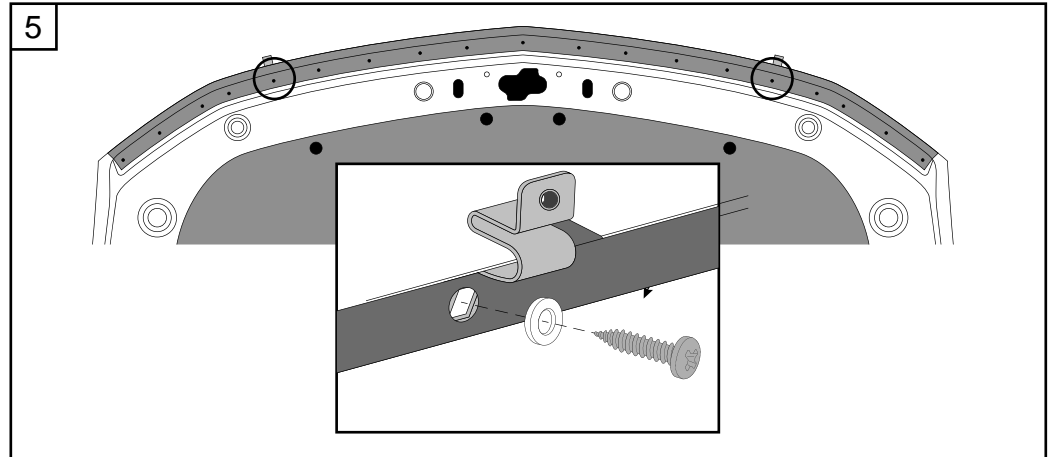
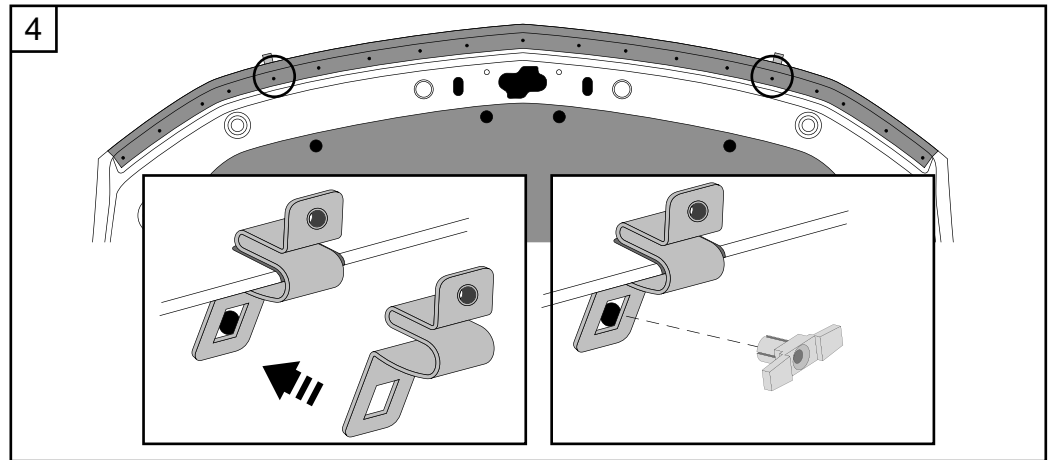
- 4• Pull the rubber trim forward and position the two fixed clips at the previously noted positions. Insert the screw plugs through the square hole of the fixed clips into the hood.

**IMPORTANT:** Ensure that the clips are positioned over abrasive resistant tape and do not come in contact with any of the hood's paint work. Failure to do this may result in permanent paint damage.

- 5• Re-position the rubber trim over the fixed clips. Insert the two self-taping screws through the two metal washers and the rubber trim into the screw plugs and fasten.

- 6• Push the four push-on clips onto hood locating the clips over the abrasive resistant tape strips on the hood lip.

**IMPORTANT:** Ensure that the clips are positioned over abrasive resistant tape and do not come in contact with any of the hood's paint work. Failure to do this may result in permanent paint damage.



# EGR INSTALLATION INSTRUCTIONS

## Tools Required



Clean Dry Cloth



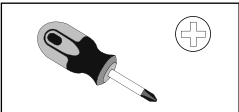
Soap & Water



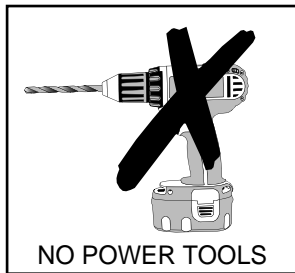
Non-Permanent Marker



Pliers



#2 Phillips Head Screwdriver

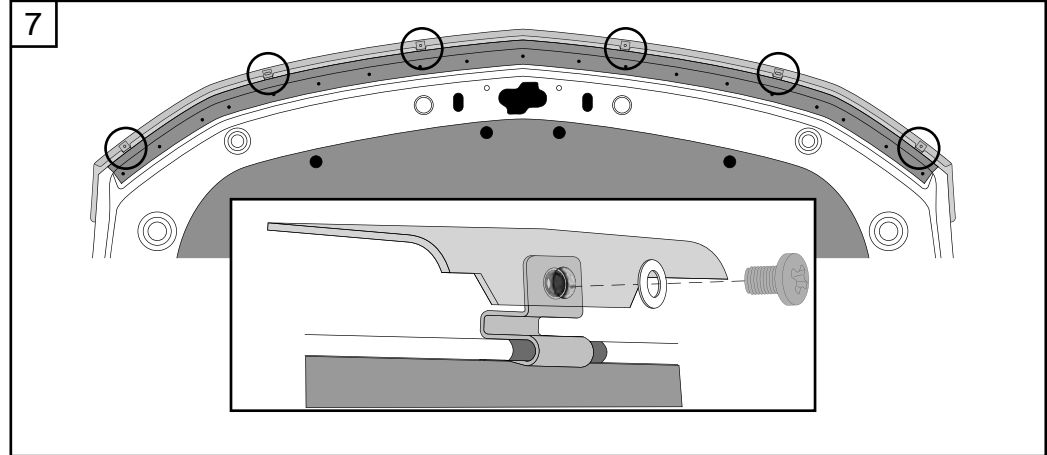


## Cleaning Notes

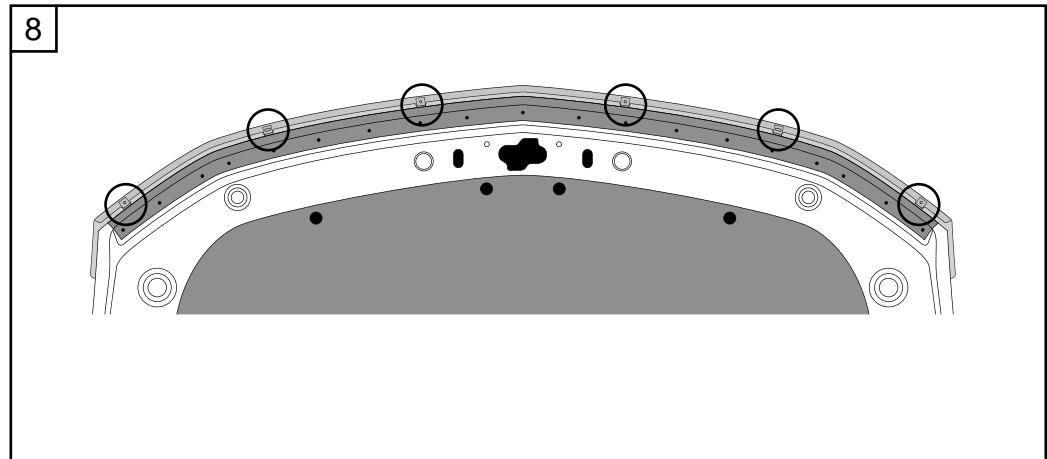
- Spray with a firm water spray to remove any loose dirt.
- Wash with water, detergent and a soft cloth or sponge.
- Do not use petroleum based solvents or abrasives.

• For Technical Support/Warranty Information please call: 800-757-7075

7• Loosely secure the Hood Deflector to the six metal clips with the six large screws and six fibre washers. Check the Hood Deflector is centrally located on the hood. Fully tighten the screws.



8• Check Hood Deflector is correctly fitted, with rubber trim sitting over the metal clips. Adjust if required.



**TO REMOVE:** Reverse the above procedure.