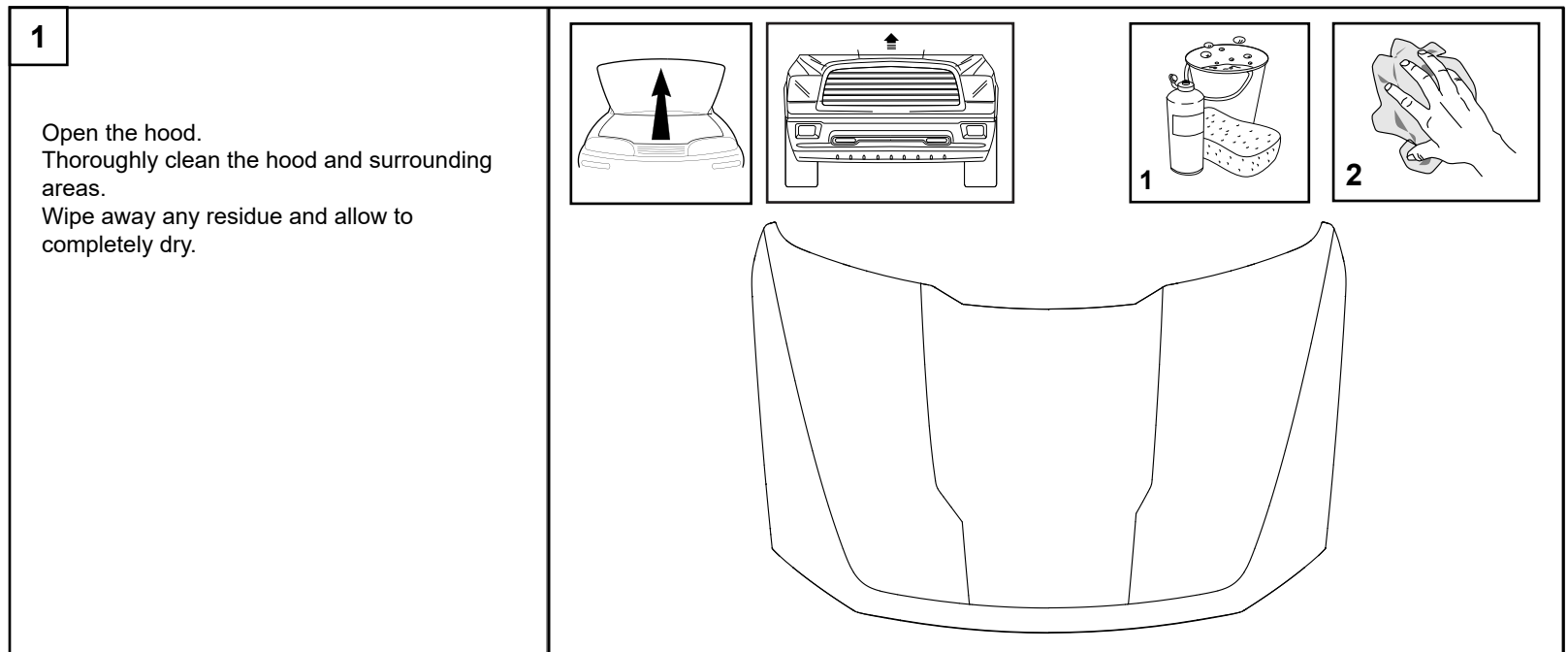
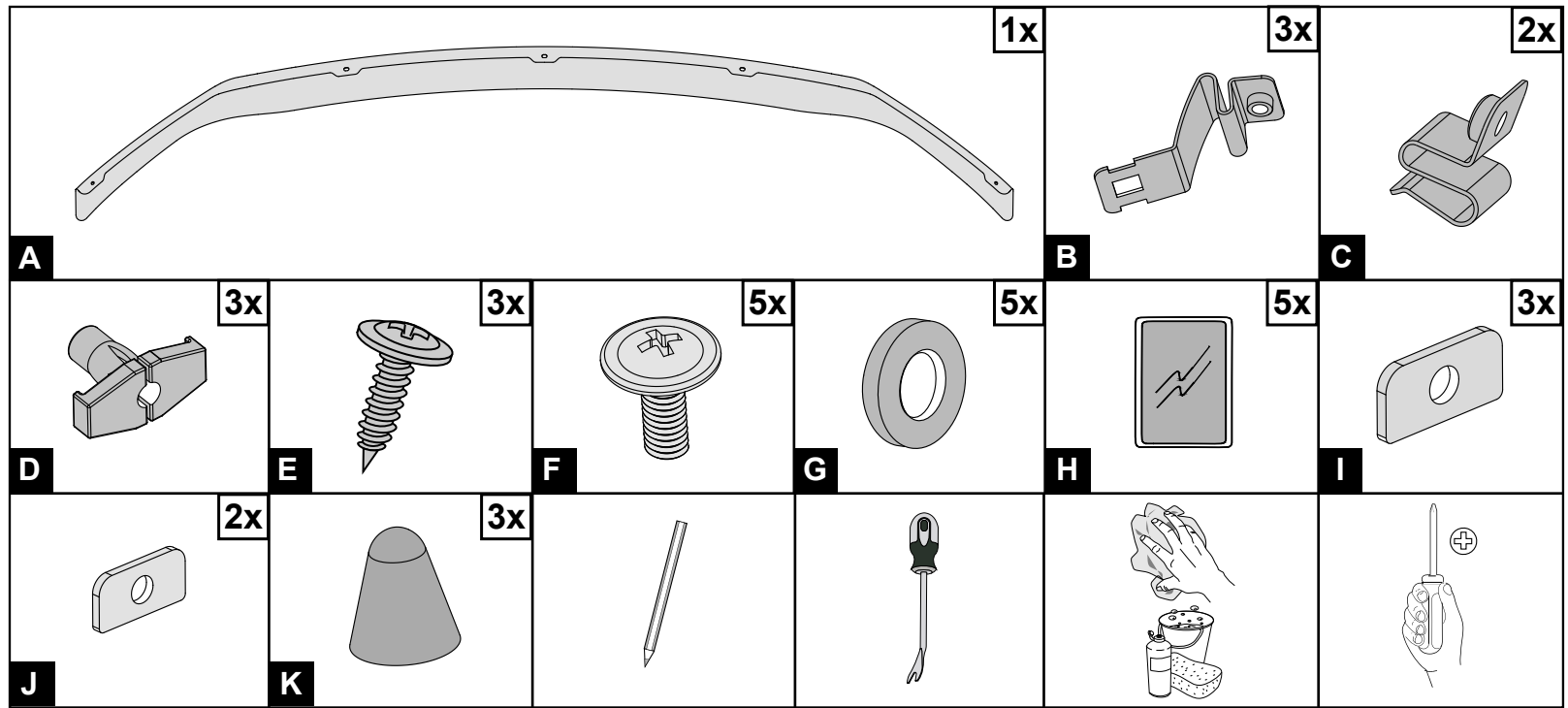
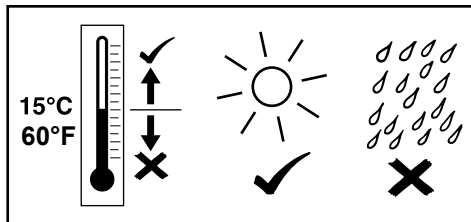
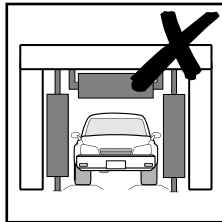
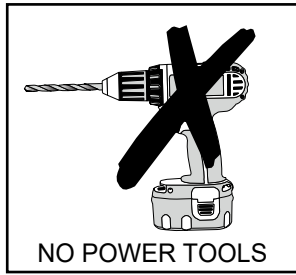


US - Visor

INSTALLATION INSTRUCTIONS



US - Visor

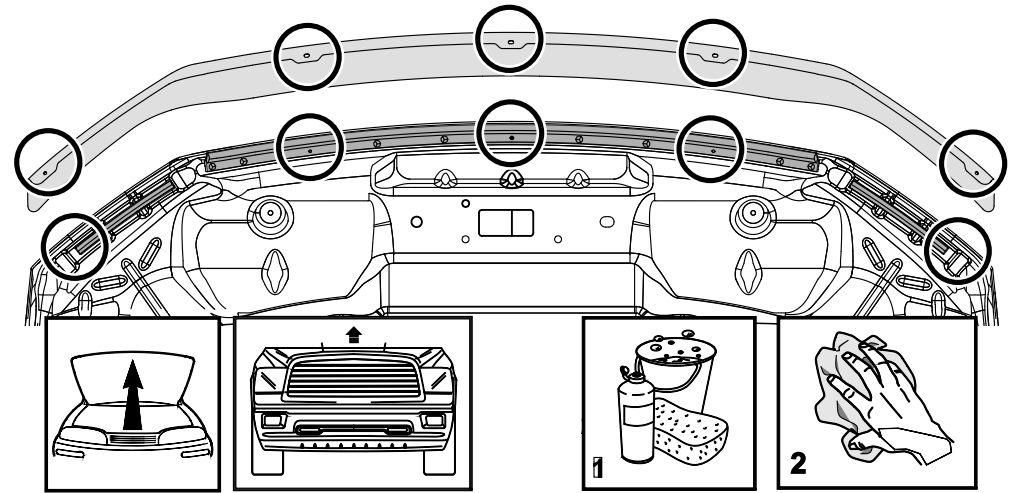
INSTALLATION INSTRUCTIONS

2

Trial fit the Hood Deflector centrally onto the hood, align the front edge of the Hood Deflector with the hood lip.

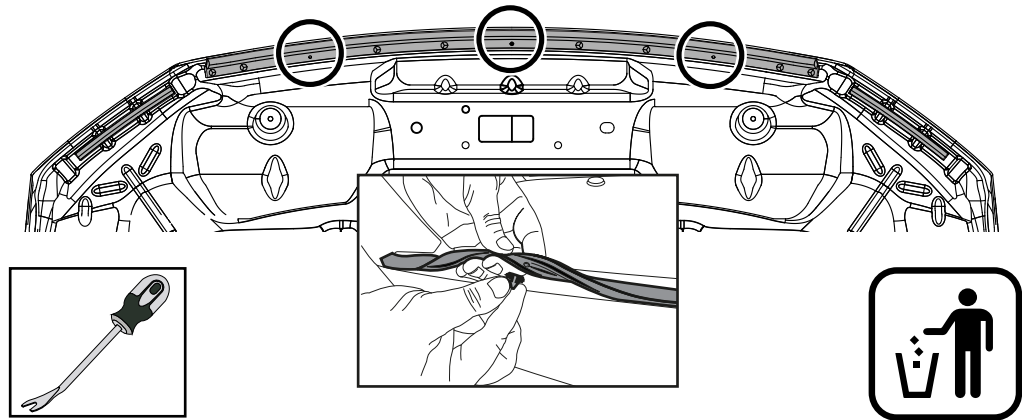
Note where the three slots on the centre tags correspond to the scrivets on the underside of the hood.

Note where the two holes on the outer tags correspond to the hood lip.



3

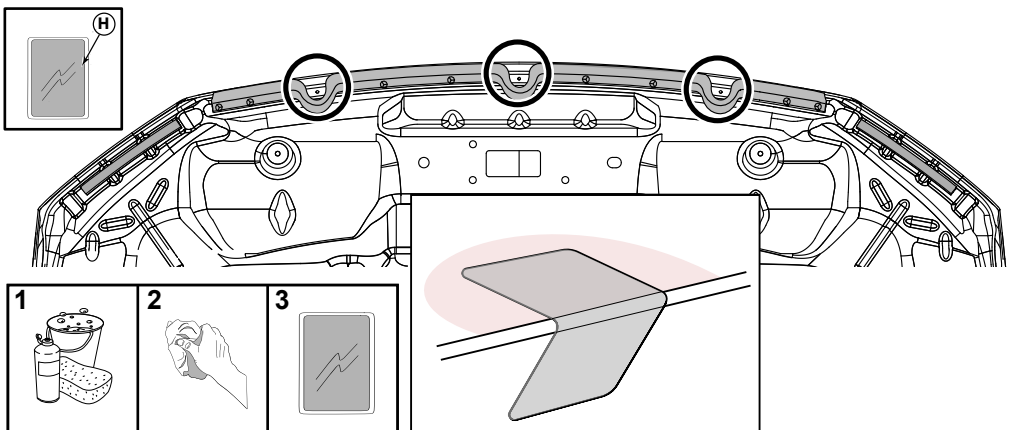
At the previously noted scrivet locations carefully remove the scrivets attaching the hood seal and discard.



4

With the provided alcohol wipe, clean the hood lip at the removed scrivet locations as shown. Allow to dry.

Adhere the anti-abrasive tapes over the hood lip where shown.



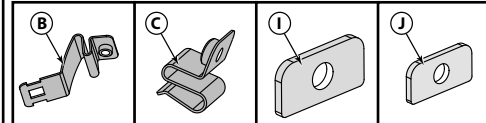
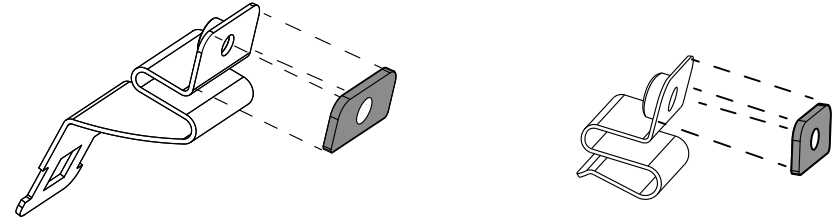
US - Visor

INSTALLATION INSTRUCTIONS

5

Peel the liner from the wide foam washers and stick them to the face of the fixed metal clips.

Peel the liner from the narrow foam washers and stick them to the face of the push-on clips.

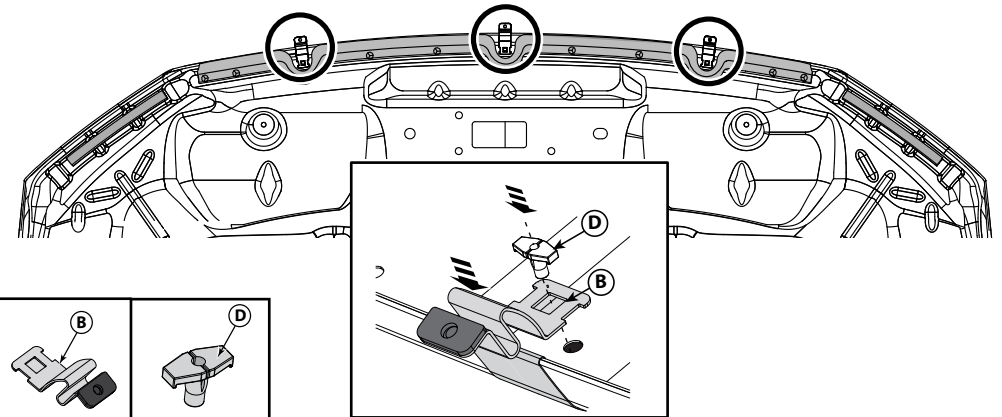


6

Position the fixed metal clips on the hood lip over the anti-abrasive tapes as shown.

Align the square holes in the clips with the round holes in the hood and insert a screw plug through the clips into the hood.

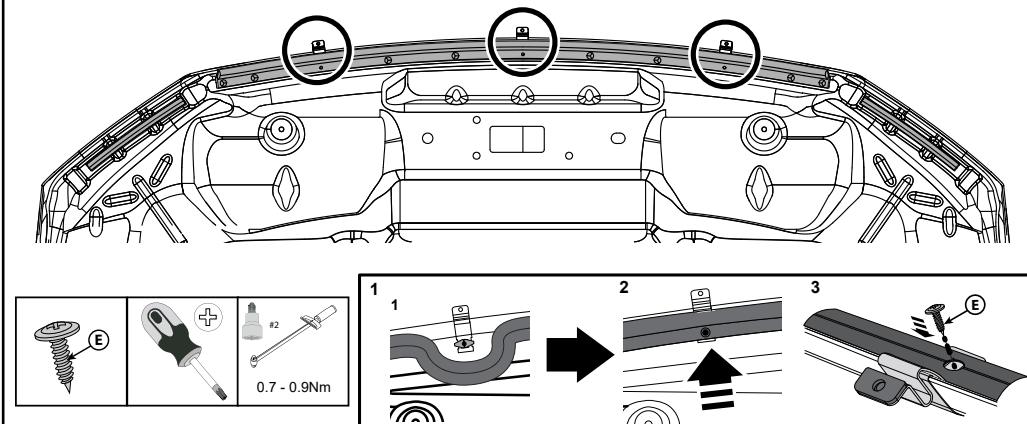
Ensure the clips are positioned over the anti-abrasive tapes and do not come in direct contact with the hood. Failure to do this may result in damage to the paintwork.



7

Return the rubber seal back to its original position over the clips.

Install a Phillips Head screw through the seal and into the screw plug to secure the fixed metal clip to the hood.



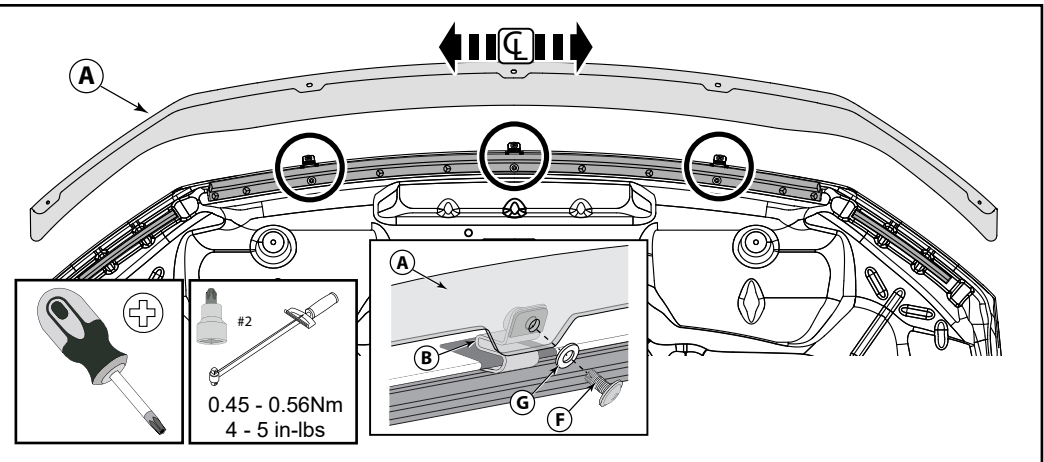
US - Visor

INSTALLATION INSTRUCTIONS

8

Fit the Hood Deflector and align the slots in the tags with the fixed metal clips.

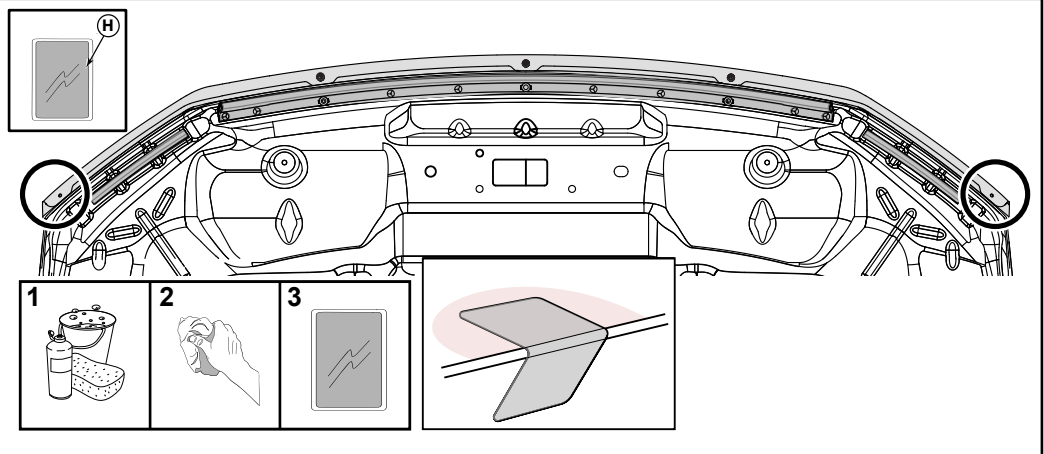
Position the Hood Deflector centrally on the hood, then secure to the fixed metal clips with the Phillips head screws and washers provided.



9

Clean the hood lip at the outer tag locations as shown. Allow to dry.

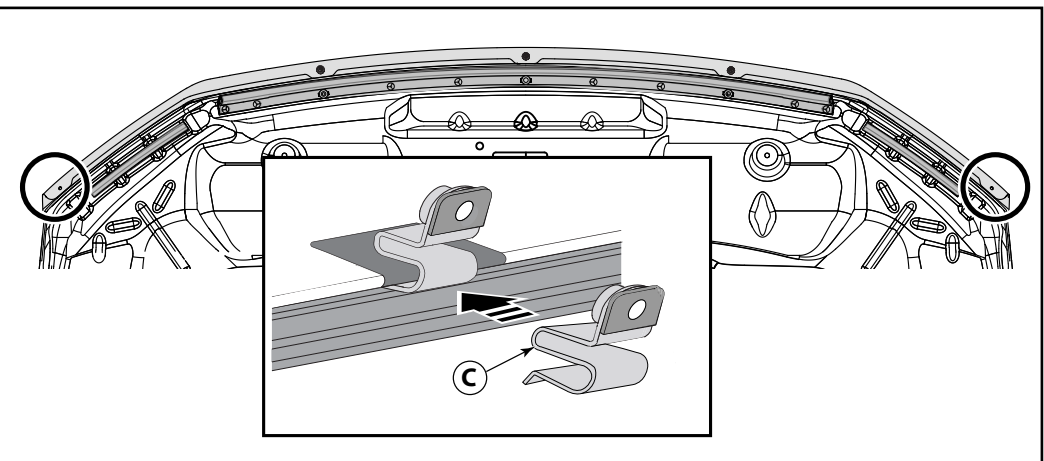
Adhere the anti-abrasive tapes over the hood lip where shown.



10

Insert the push-on clips over the anti-abrasion tapes at the outer tag locations.

Ensure the clips are positioned over the anti-abrasive tapes and do not come in direct contact with the hood. Failure to do this may result in damage to the paintwork.

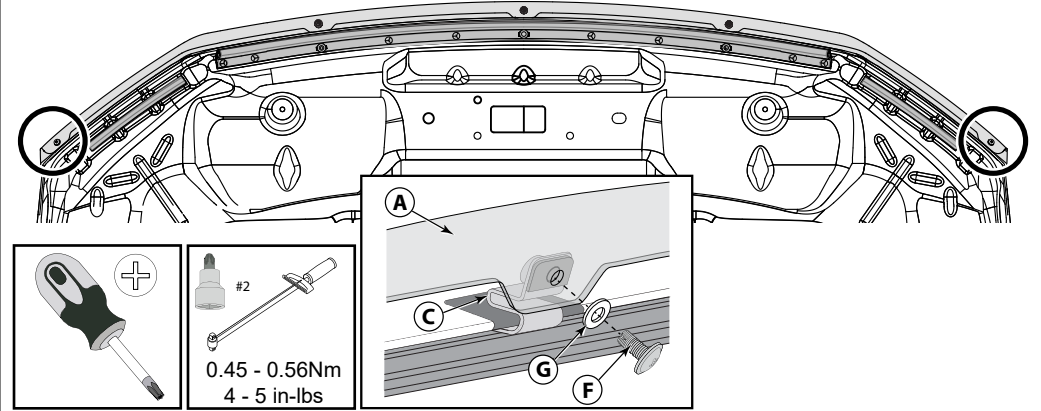


US - Visor

INSTALLATION INSTRUCTIONS

11

Secure the Hood Deflector to the push-on clips with the Phillips head screws and washers provided.



12

Clean and dry the hood under each bumpon location sticker.

Peel the adhesive backing from the bumpons and adhere the bumpon directly to the hood under each location sticker. Peel off and discard the bumpon location stickers when complete.

