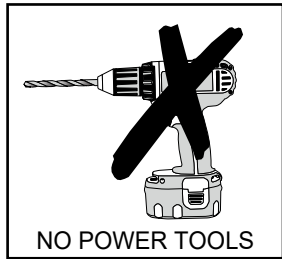
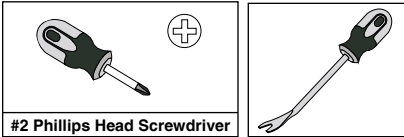
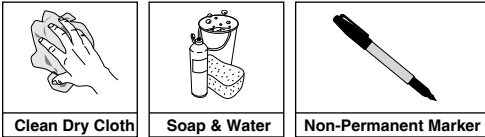


EGR

INSTALLATION INSTRUCTIONS

Tools Required



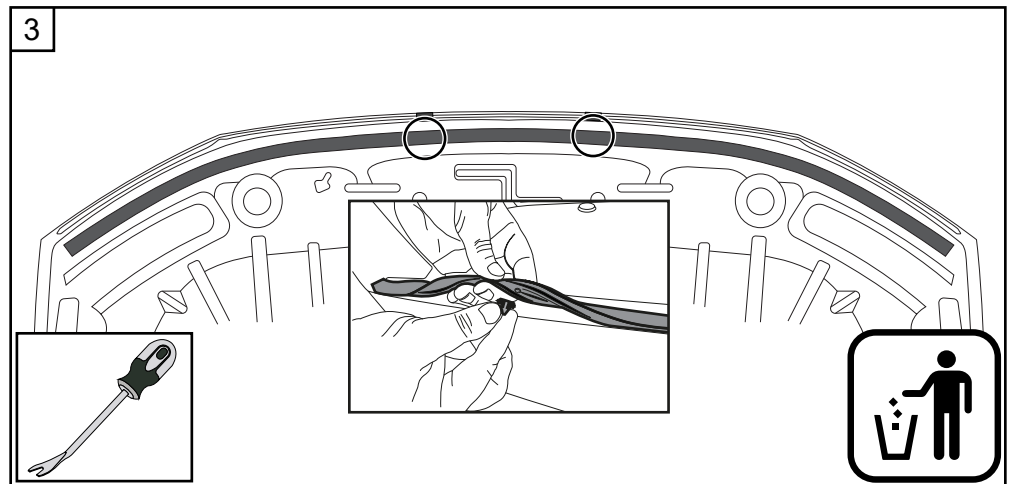
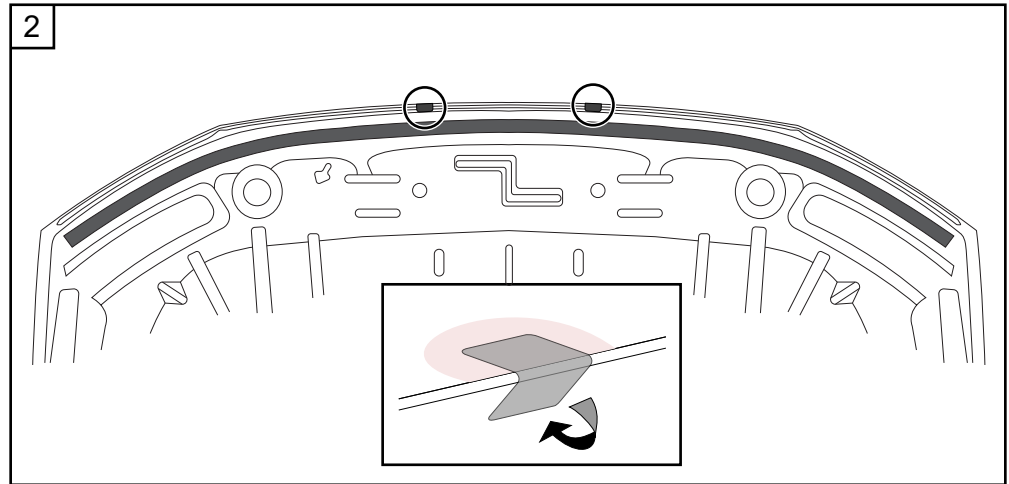
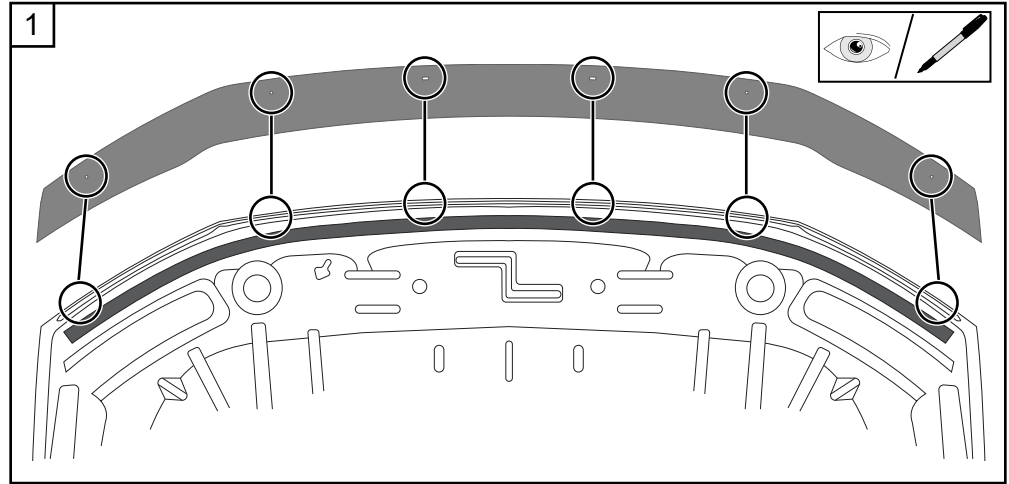
Cleaning Notes

- Spray with a firm water spray to remove any loose dirt.
- Wash with water, detergent and a soft cloth or sponge.
- Do not use petroleum based solvents or abrasives.

1. Wash the hood with a mild soap and water solution, then dry thoroughly. Open the hood. Trial fit the Hood Deflector centrally onto the hood. With a non-permanent marker, mark the positions of the two centre slots in the Hood Deflector and where they corresponds with the hood and the scrivets on the underside of the hood. Mark the positions of the four outer holes in the Hood Deflector and where they correspond with the hood. Remove the Hood Deflector.

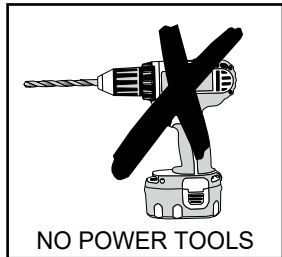
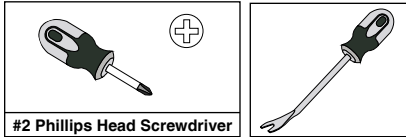
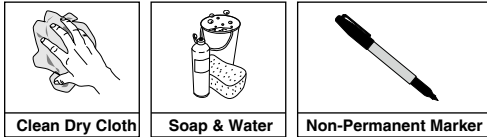
2. Clean the two noted areas with alcohol prep pad provided. Wipe off any residue with a dry clean cloth. Adhere the medium abrasive resistant tape strips over the hood lip. Apply tape so approximately half of each strip is adhered to the top side and half is adhered to the underside of hood.

3. At the previously noted scrivet locations carefully remove the scrivets attaching the hood seal and discard.



EGR INSTALLATION INSTRUCTIONS

Tools Required



Cleaning Notes

- Spray with a firm water spray to remove any loose dirt.
- Wash with water, detergent and a soft cloth or sponge.
- Do not use petroleum based solvents or abrasives.

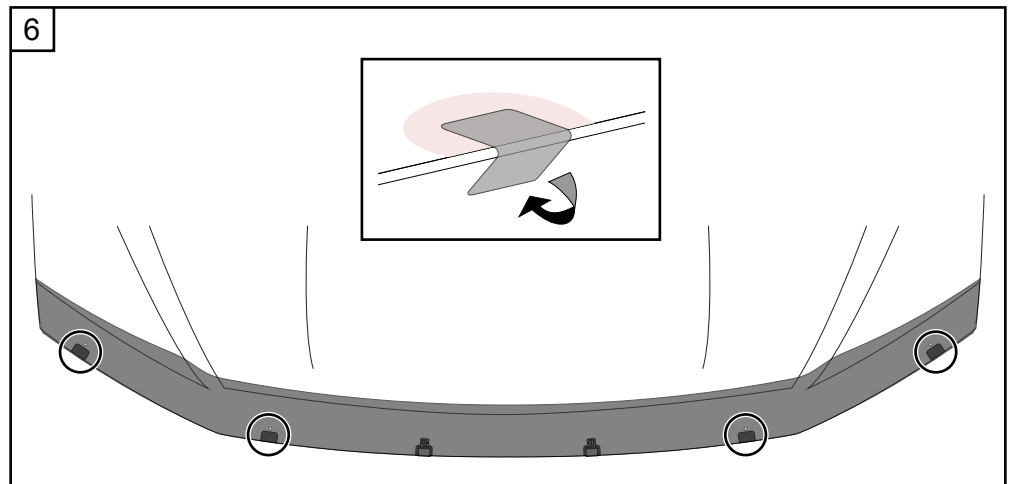
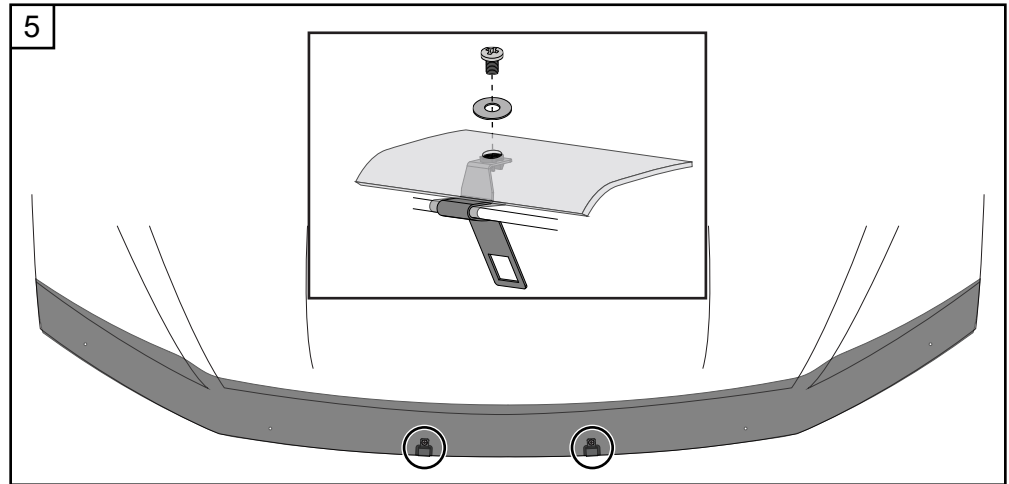
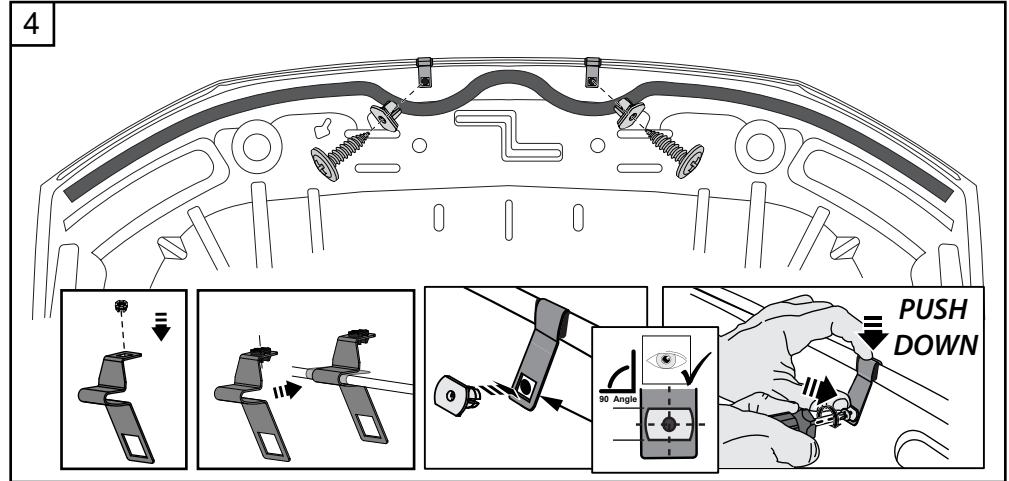
- 4• Fit the nut insert into the square hole on top of the two Fixed Clip. Install the two Fixed Clips by aligning them with the previously noted holes in the hood. Insert the Screw Plugs through the rectangular holes of the Fixed Clips into the hood. While pushing the Screw Plug down against the Fixed Clip insert the two self-tapping screws into the Screw Plugs. Put the hood seal back into position.

IMPORTANT: Ensure the clips rest over the abrasive resistant tape and do not come in contact with hood paint work. Failure to do this may result in permanent paint damage.

IMPORTANT: Thumb pressure must be maintained on the Fixed Clips to prevent the screw plug from rotating.

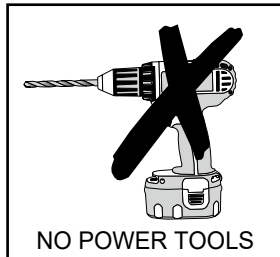
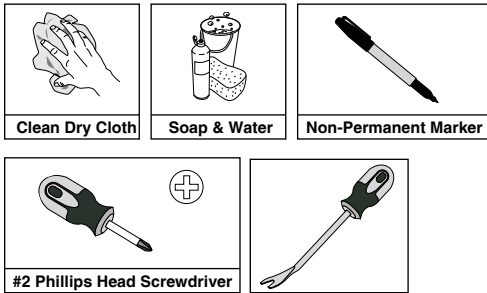
- 5• Fit the Hood Deflector centrally onto the hood and loosely secure it to the top of the Fixed Clips using fibre washers and small screws. Do not fully tighten yet. Ensure the Hood Deflector is centralised on hood then fully tighten screws.

- 6• Clean the four noted areas on the hood with alcohol prep pad provided. Wipe off any residue with a dry clean cloth. Adhere the medium abrasive resistant tape strips over the hood lip. Apply tape so approximately half of each strip is adhered to the topside and half is adhered to the underside of hood.



EGR INSTALLATION INSTRUCTIONS

Tools Required



Cleaning Notes

- Spray with a firm water spray to remove any loose dirt.
- Wash with water, detergent and a soft cloth or sponge.
- Do not use petroleum based solvents or abrasives.

7. Fit the nut insert into the square hole of the Push-on clip. Slide the four metal Push-on clips over the abrasive resistant tape on the hood edge at the four previously noted outer positions.

IMPORTANT: Ensure the clips rest over the abrasive resistant tape and do not come in contact with hood paint work. Failure to do this may result in permanent paint damage.

8. Firmly secure the Hood Deflector to the top of the Metal Wing Clips using fibre washers and small screws.

9. Note the six bump on positions which are indicated by the yellow bump on location stickers on the top of the hood deflector.

Clean the top of the hood with the alcohol wipe directly underneath each yellow location sticker.

Allow to dry and peel the adhesive backing from the bump ons and adhere the six bump ons to the hood directly underneath each sticker as shown in the image.

Peel off and discard the six yellow bump on location stickers when complete.

TO REMOVE: Reverse the above procedures.

