

YEARS: 2011-CURRENT

MAKE: JEEP / DODGE

MODEL: GRAND CHEROKEE / DURANGO

STYLE: SUV

**WARNING: NEVER EXCEED YOUR VEHICLE MANUFACTURER'S RECOMMENDED TOWING CAPACITY**  
 For more information log onto [www.curtmfg.com](http://www.curtmfg.com) & for helpful towing tips log onto [www.hitchinfo.com](http://www.hitchinfo.com)

**WEIGHT CARRYING:**  
 TRAILER WEIGHT: 3,000 LBS.  
 TONGUE WEIGHT: 300 LBS.

**GROSS LOAD CAPACITY WHEN USED AS A STRAIGHT LINE PULL:**  
 9,000 LBS MAX.

**PRO INSTALL TIME: 35 MIN.**  
**NOVICE INSTALL TIME: 70 MIN.**

IF YOU ARE HESITANT TO UNDERTAKE THIS TASK ON YOUR OWN, CONTACT AN AUTHORIZED CURT INSTALLER FOR ADDITIONAL ASSISTANCE.

**INSTALLATION REQUIRES:**

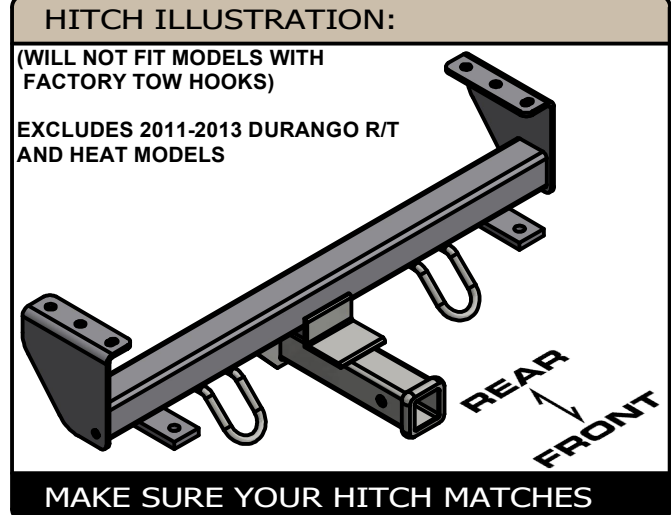
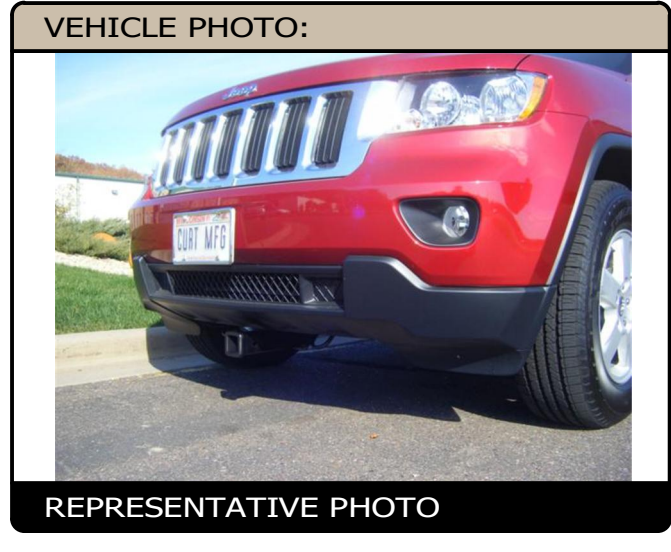
|                |  |               |
|----------------|--|---------------|
| POWER DRILL    | DRILL BIT<br>9/16"                     | DIE GRINDER   |
| RATCHET        | 10mm<br>13mm<br>18mm<br>3/4"<br>SOCKET | TORQUE WRENCH |
| TAPE MEASURE   | MARKER                                 | UTILITY KNIFE |
| SAFETY GLASSES |  |               |

**INSTALLATION TIPS:**

- BEFORE YOU BEGIN INSTALLATION, READ ALL INSTRUCTIONS THOROUGHLY.
- TO EASE INSTALLATION, 2 PEOPLE MAY BE REQUIRED.
- USING PROPER TOOLS WILL GREATLY IMPROVE THE QUALITY OF THE INSTALL AND REDUCE THE TIME REQUIRED.
- NEED HELP OR HAVE SOME QUESTIONS? CALL TECHNICAL SUPPORT AT 877.287.8634

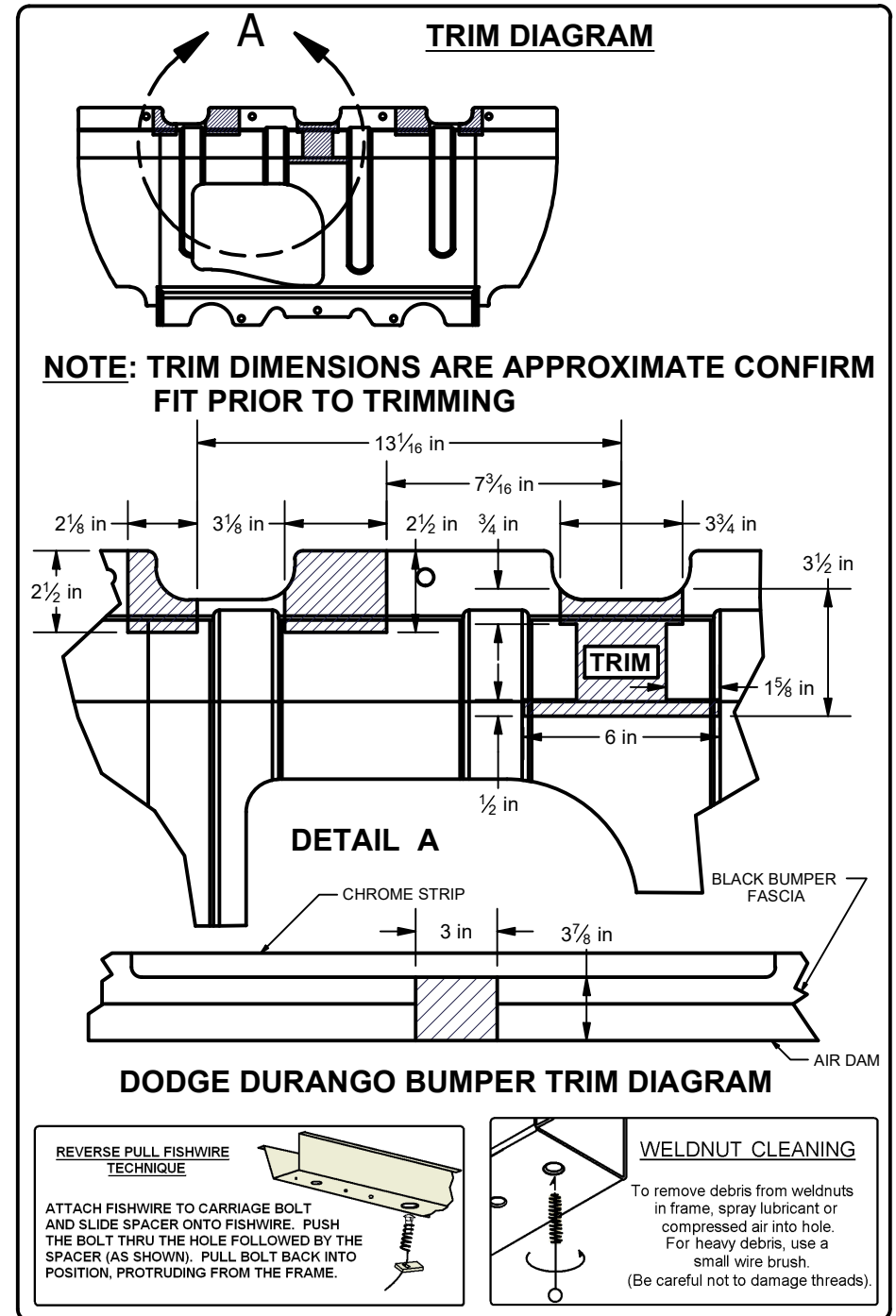
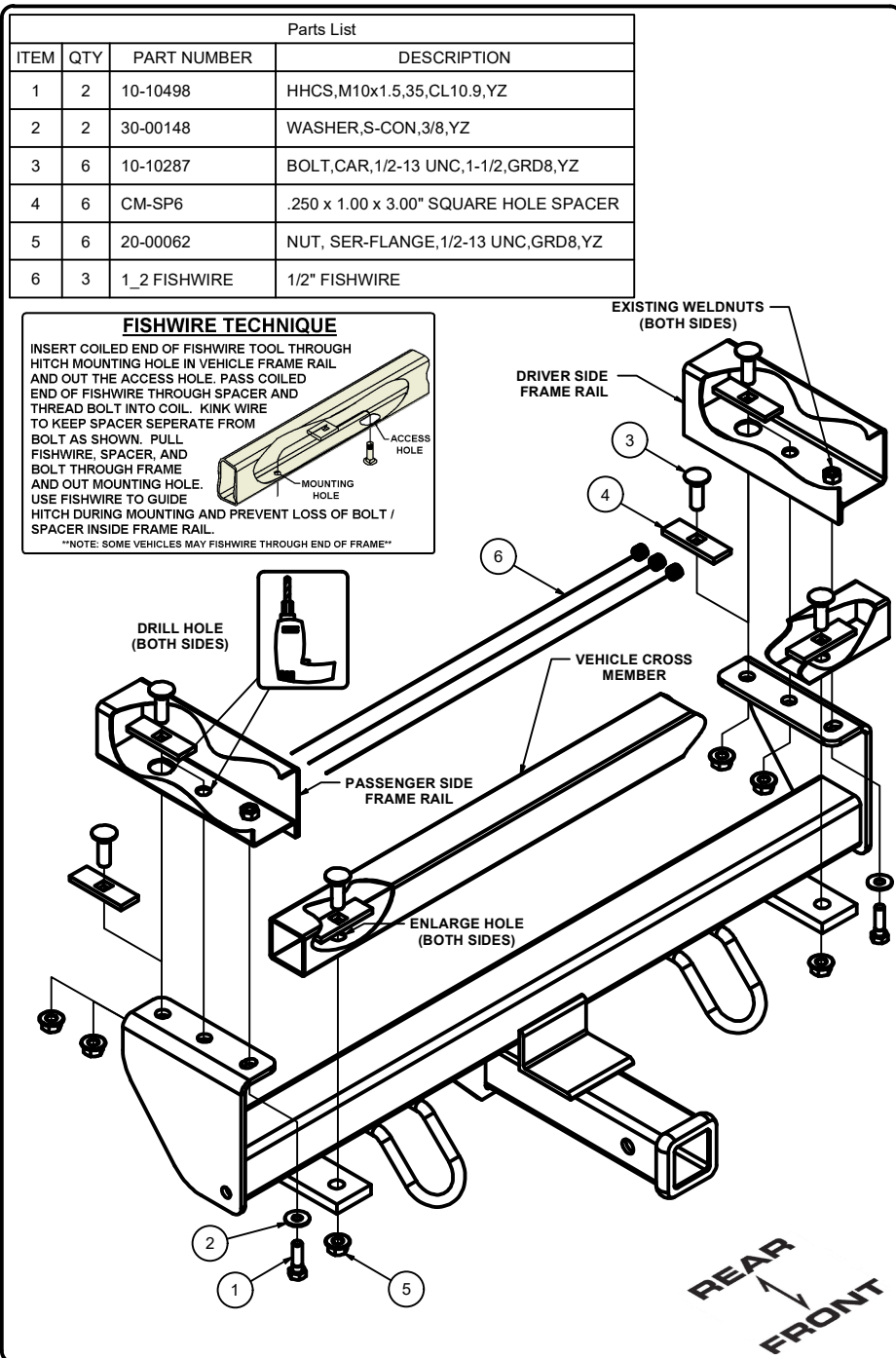
**LEVEL OF DIFFICULTY: MODERATE**

| EASY | MODERATE                          | CHALLENGING |
|------|-----------------------------------|-------------|
|      | DRILLING REQUIRED                 |             |
|      | ENLARGE (4) HOLES                 |             |
|      | FISHWIRE HARDWARE                 |             |
|      | REVERSE FISHWIRE HARDWARE         |             |
|      | OPTIONAL UNDERBODY PANEL TRIMMING |             |



**PERIODICALLY CHECK THIS RECEIVER HITCH TO ENSURE ALL FASTENERS ARE TIGHT AND ALL STRUCTURAL COMPONENTS ARE SOUND**  
 CURT Manufacturing LLC. warrants this product to be free of defects in material and/or workmanship at the time of retail purchase by the original purchaser. If the product is found to be defective, CURT Manufacturing LLC. may repair or replace the product at their option, when the product is returned, prepaid, with proof of purchase. Alteration to, misuse of, or improper installation of this product voids the warranty. CURT Manufacturing LLC.'s liability is limited to repair or replacement of products found to be defective, and specifically excludes liability for incidental or consequential loss or damage.  
 For more information log onto [www.curtmfg.com](http://www.curtmfg.com)  
 This product complies with safety specifications and requirements for connecting devices and towing systems of the state of New York, V.E.S.C.Regulation V-5 and SAE J684.

# INSTALLATION WALKTHROUGH:

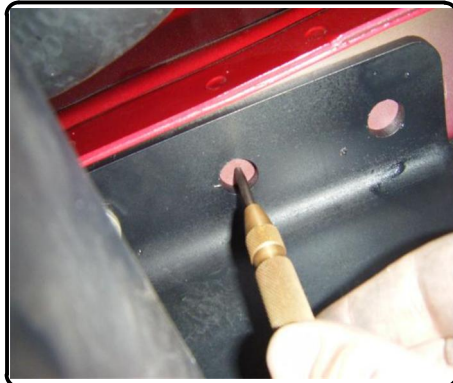


## INSTALLATION WALKTHROUGH:

1. Remove plastic underbody panel by removing (7) bolts and (1) plastic fastener. This can be trimmed and reinstalled in step 8 or returned to vehicle owner.

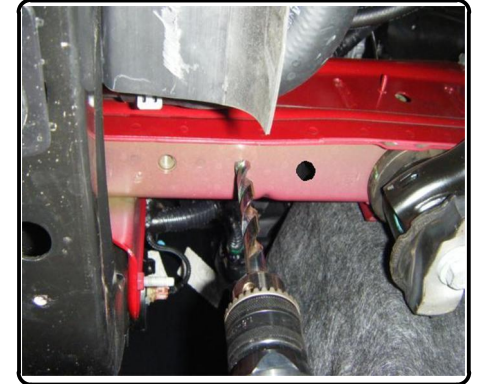
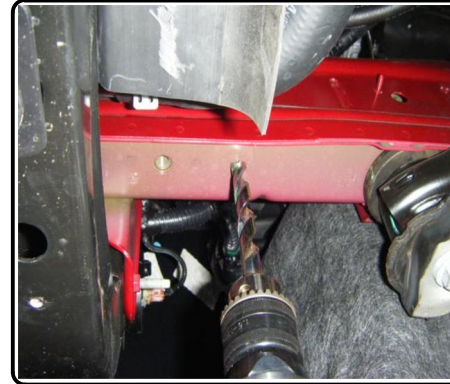


2. Lift hitch into position, secure with M10 bolts and mark (4) drill hole locations.

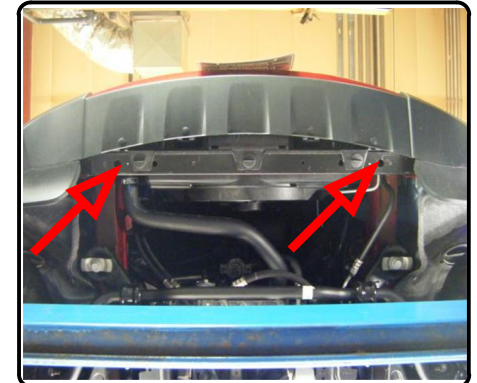


3. Remove M10 bolts, lower hitch and drill (4) holes at marked locations.

**Note:** Use a die grinder to enlarge (1) drilled hole on each frame rail so it is large enough for the included 1/2" hardware to pass through.



4. Use a die grinder to enlarge (2) mounting locations on vehicle cross member so the included 1/2" hardware can be reverse fishwired into position.

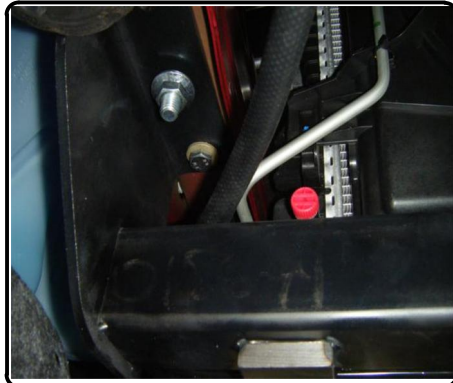


## INSTALLATION WALKTHROUGH:

5. Fishwire (2) 1/2" carriage bolts and (2) CM-SP6 spacers into position. Reverse fishwire (4) 1/2" carriage bolts and (4) CM-SP6 spacers into position. See FISHWIRE TECHNIQUE / REVERSE PULL TECHNIQUE on page 2.



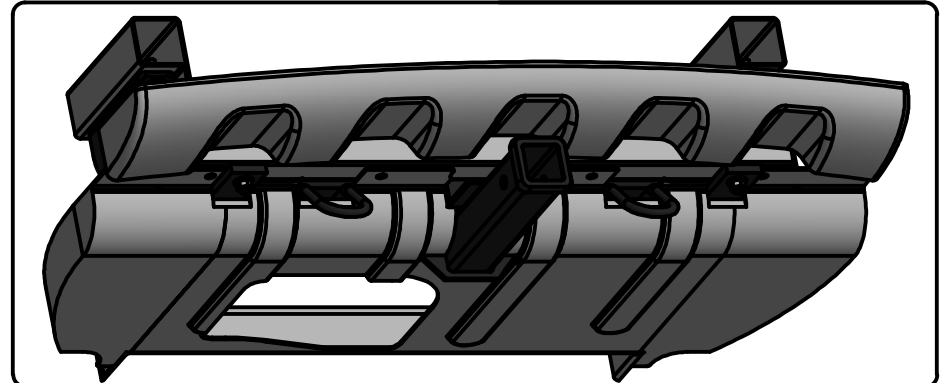
6. Raise hitch into position and secure to frame using 1/2" flange nuts. Secure (2) 10mm bolts and (2) 3/8" conical toothed washers into the existing weldnuts. See WELDNUT CLEANING on page 2.



7. Torque all 10mm hardware to 45 ft-lbs and all 1/2" hardware to 110 ft-lbs.

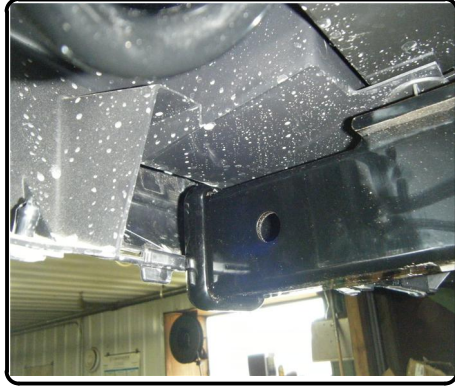
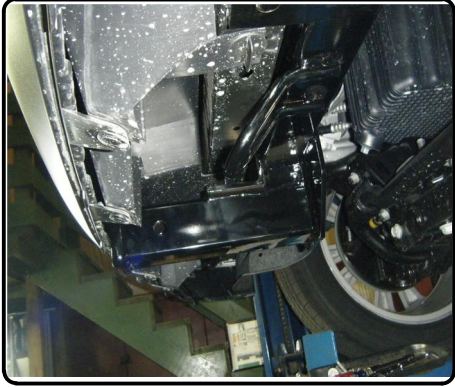


8. If plastic underbody panel will be trimmed see TRIM DIAGRAM on page 2. Reinstall after trimming is complete.



## INSTALLATION WALKTHROUGH:

9. On Dodge Durango models, the lower fascia and bumper will need to be trimmed to provide clearance for the hitch receiver tube. See Dodge Durango Bumper Trim Diagram.



31033

# JEEP GRAND CHEROKEE & DODGE DURANGO

11/05/2020

WILL NOT FIT MODELS WITH FACTORY TOW HOOKS, EXCLUDES DURANGO R/T AND HEAT MODELS **PAGE 1 of 3**

GROSS LOAD CAPACITY WHEN USED AS A WEIGHT CARRYING HITCH: 3,000 LBS. TRAILER WEIGHT & 300 LBS. TONGUE WEIGHT.

WARNING: ALL NON-TRAILER LOADS APPLIED TO THIS PRODUCT MUST BE SUPPORTED BY 18050 STABILIZING STRAPS.



**WARNING: \*\* FAILURE TO PROPERLY SUPPORT NON-TRAILER LOADS WILL VOID PRODUCT WARRANTY \*\***

**WARNING: \*\*\* DO NOT EXCEED VEHICLE MANUFACTURER'S RECOMMENDED TOWING CAPACITY \*\*\***

FOR MORE INFORMATION LOG ONTO [WWW.CURTMFG.COM](http://WWW.CURTMFG.COM) & FOR HELPFUL TOWING TIPS LOG ONTO [WWW.HITCHINFO.COM](http://WWW.HITCHINFO.COM)  
HAVING INSTALLATION QUESTIONS? CALL TECHNICAL SUPPORT AT 877-287-8634



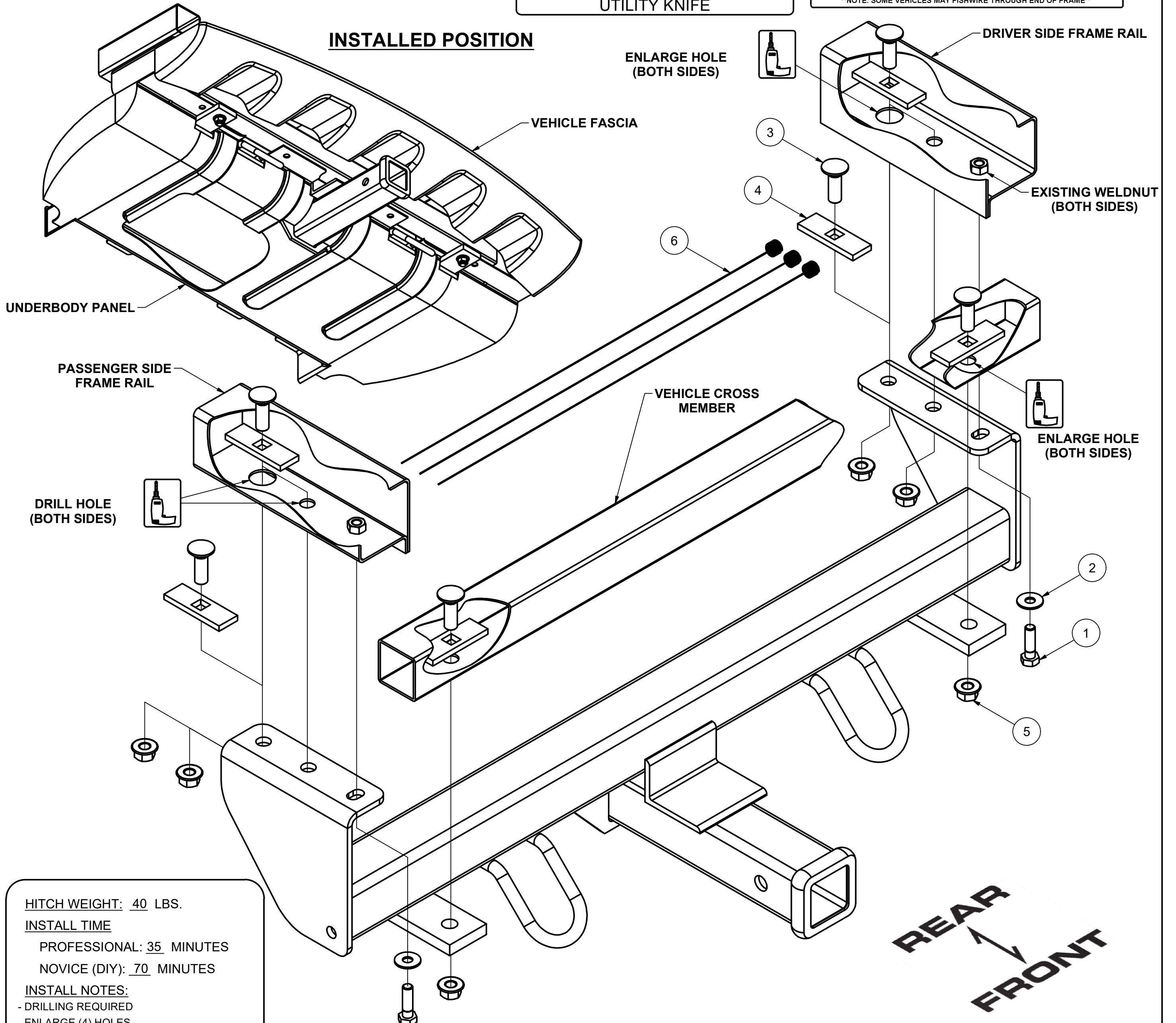
| Parts List |     |              |  |
|------------|-----|--------------|--|
| ITEM       | QTY | PART NUMBER  | DESCRIPTION                            |
| 1          | 2   | 10-10498     | HHCS,M10x1.5,35,CL10.9,YZ              |
| 2          | 2   | 30-00148     | WASHER,S-CON,3/8,YZ                    |
| 3          | 6   | 10-10287     | BOLT,CAR,1/2-13 UNC,1-1/2,GRD8,YZ      |
| 4          | 6   | CM-SP6       | .250 x 1.00 x 3.00" SQUARE HOLE SPACER |
| 5          | 6   | 20-00062     | NUT, SER-FLANGE,1/2-13 UNC,GRD8,YZ     |
| 6          | 3   | 1_2 FISHWIRE | 1/2" FISHWIRE                          |

| TOOLS REQUIRED                 |
|--------------------------------|
| DRILL                          |
| 9/16" DRILL BIT                |
| DIE GRINDER                    |
| RATCHET                        |
| 10mm, 13mm, 18mm & 3/4" SOCKET |
| TORQUE WRENCH                  |
| TAPE MEASURE                   |
| MARKER                         |
| UTILITY KNIFE                  |

**FISHWIRE TECHNIQUE**

INSERT COILED END OF FISHWIRE TOOL THROUGH HITCH MOUNTING HOLE IN VEHICLE FRAME RAIL AND OUT THE ACCESS HOLE. PASS COILED END OF FISHWIRE THROUGH SPACER AND THREAD BOLT INTO COIL. KINK WIRE TO KEEP SPACER SEPARATE FROM BOLT AS SHOWN. PULL FISHWIRE, SPACER, AND BOLT THROUGH FRAME AND OUT MOUNTING HOLE. USE FISHWIRE TO GUIDE HITCH DURING MOUNTING AND PREVENT LOSS OF BOLT / SPACER INSIDE FRAME RAIL.

\*\*NOTE: SOME VEHICLES MAY FISHWIRE THROUGH END OF FRAME\*\*



HITCH WEIGHT: 40 LBS.  
 INSTALL TIME  
 PROFESSIONAL: 35 MINUTES  
 NOVICE (DIY): 70 MINUTES

INSTALL NOTES:  
 - DRILLING REQUIRED  
 - ENLARGE (4) HOLES  
 - FISHWIRE / REVERSE FISHWIRE HARDWARE  
 - OPTIONAL UNDERBODY TRIMMING

**PERIODICALLY CHECK THIS RECEIVER HITCH TO ENSURE THAT ALL FASTENERS ARE TIGHT AND THAT ALL STRUCTURAL COMPONENTS ARE SOUND.**



Scan for more information

CURT Manufacturing LLC., warrants this product to be free of defects in material and/or workmanship at the time of retail purchase by the original purchaser. If the product is found to be defective, CURT Manufacturing LLC., may repair or replace the product, at their option, when the product is returned, prepaid, with proof of purchase. Alteration to, misuse of, or improper installation of this product voids the warranty. CURT Manufacturing LLC.'s liability is limited to repair or replacement of products found to be defective, and specifically excludes liability for incidental or consequential loss or damage.

This product complies with safety specifications and requirements for connecting devices and towing systems of the state of New York, V.E.S.C.Regulation V-5 and SAE J684.

# 31033 JEEP GRAND CHEROKEE AND DODGE DURANGO

11/05/2020

WILL NOT FIT MODELS WITH FACTORY TOW HOOKS, EXCLUDES DURANGO R/T AND HEAT MODELS

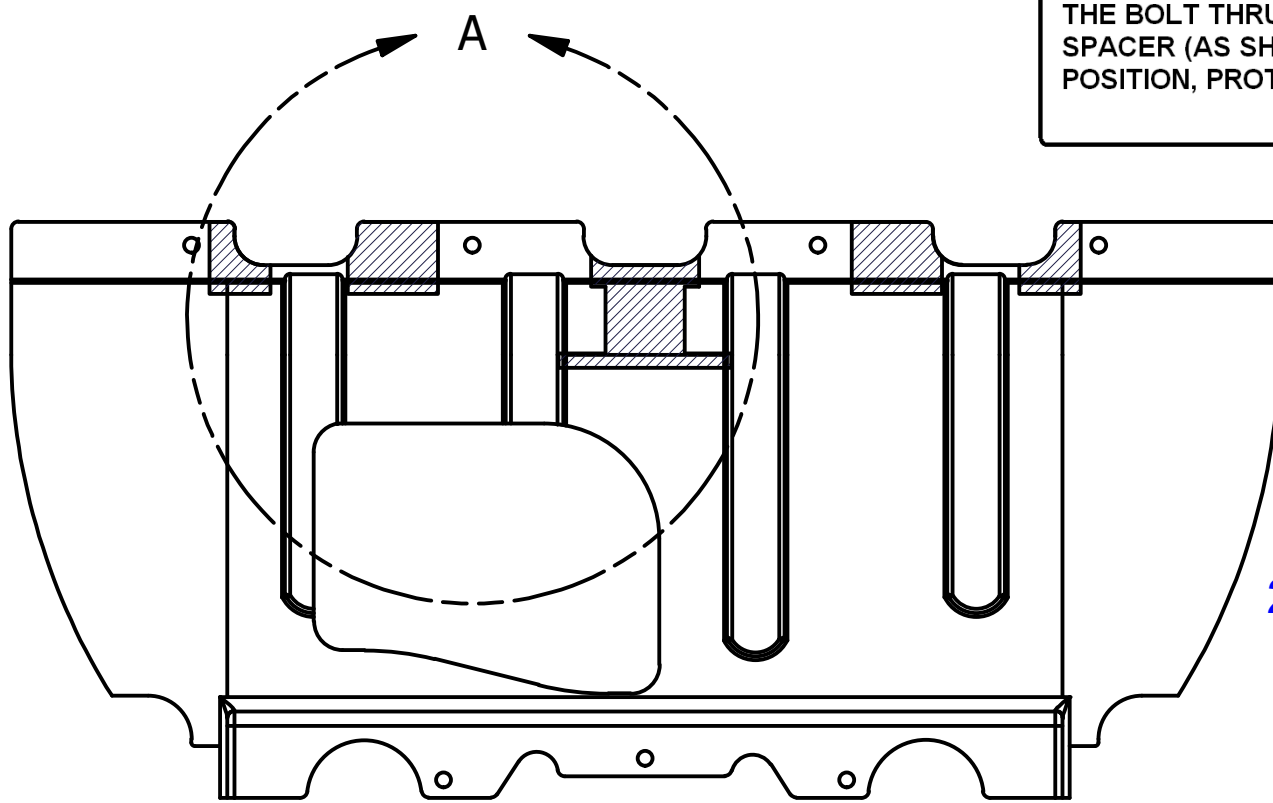
GROSS LOAD CAPACITY WHEN USED AS A WEIGHT CARRYING HITCH: 3,000 LBS. TRAILER WEIGHT & 300 LBS. TONGUE WEIGHT.

GROSS LOAD CAPACITY WHEN USED AS A STRAIGHT LINE PULL: 9,000 LBS. MAX. LINE PULL.

**\*\*\* DO NOT EXCEED VEHICLE MANUFACTURER'S RECOMMENDED TOWING CAPACITY. \*\*\***

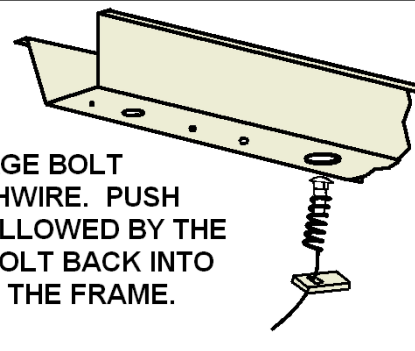
HAVING INSTALLATION QUESTIONS? CALL TECHNICAL SUPPORT AT 877-287-8634

## TRIM DIAGRAM



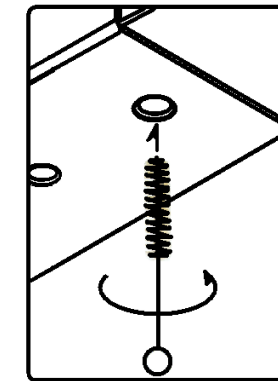
### REVERSE PULL FISHWIRE TECHNIQUE

ATTACH FISHWIRE TO CARRIAGE BOLT AND SLIDE SPACER ONTO FISHWIRE. PUSH THE BOLT THRU THE HOLE FOLLOWED BY THE SPACER (AS SHOWN). PULL BOLT BACK INTO POSITION, PROTRUDING FROM THE FRAME.

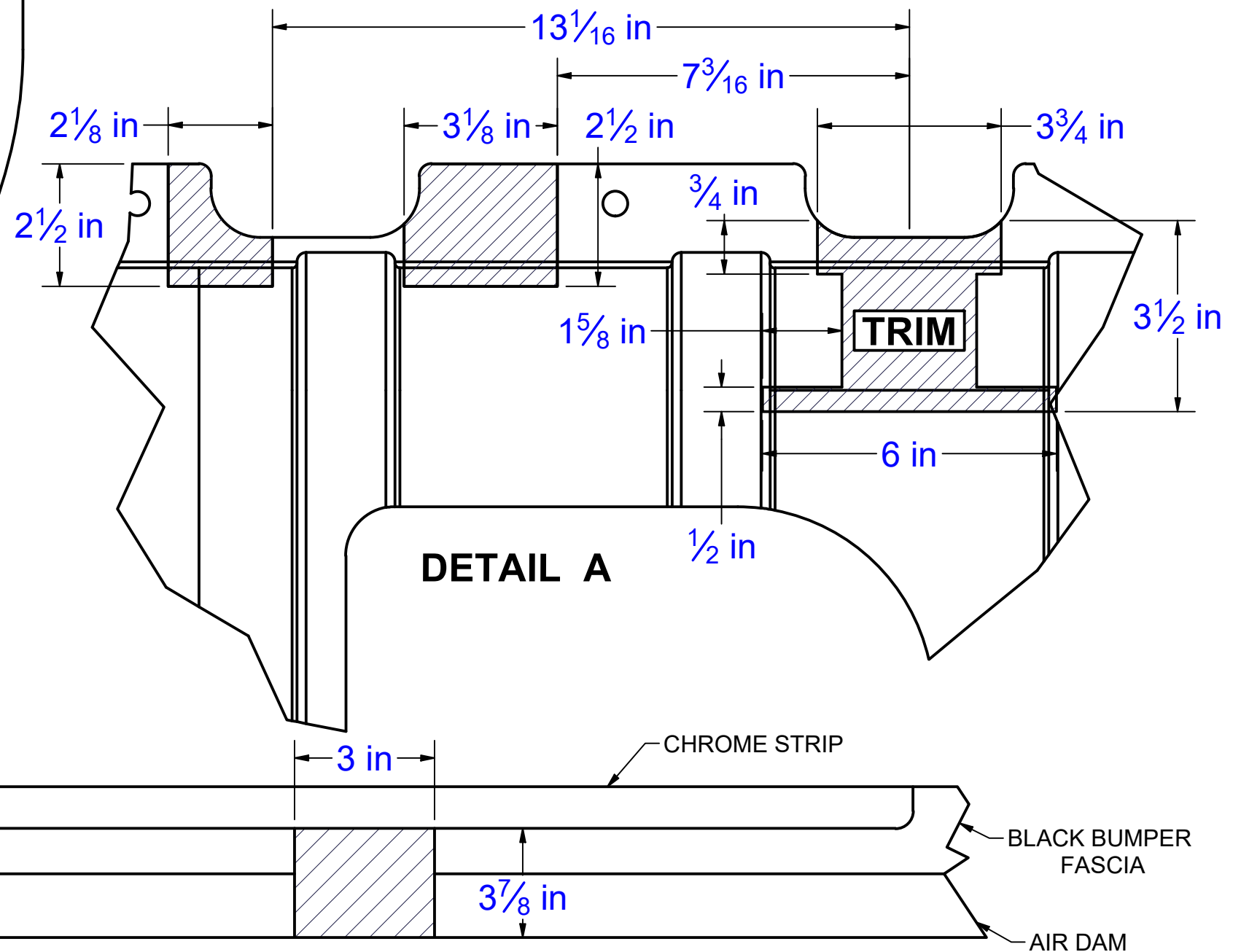


### WELDNUT CLEANING

To remove debris from weldnuts in frame, spray lubricant or compressed air into hole. For heavy debris, use a small wire brush. (Be careful not to damage threads).



**NOTE: TRIM DIMENSIONS ARE APPROXIMATE  
CONFIRM FIT PRIOR TO TRIMMING**



HITCH WEIGHT: 40 LBS.

### INSTALL TIME

PROFESSIONAL: 35 MINUTES

NOVICE (DIY): 70 MINUTES

### INSTALL NOTES:

- DRILLING REQUIRED
- ENLARGE HOLES
- FISHWIRE HARDWARE
- FASCIA TRIMMING

## DODGE DURANGO BUMPER TRIM DIAGRAM

## INSTALLATION STEPS

1. Remove plastic underbody panel by removing (7) bolts and (1) plastic fastener. This can be trimmed and reinstalled in step 8 or returned to vehicle owner.
2. Lift hitch into position, secure with M10 bolts and mark (4) drill hole locations.
3. Remove M10 bolts, lower hitch and drill (4) holes at marked locations. **Note:** Use a die grinder to enlarge (1) drilled hole on each frame rail so it is large enough for the included 1/2" hardware to pass through.
4. Use a die grinder to enlarge (2) mounting locations on vehicle cross member so the included 1/2" hardware can be reverse fishwired into position.
5. Fishwire (2) 1/2" carriage bolts and (2) CM-SP6 spacers into position. Reverse fishwire (4) 1/2" carriage bolts and (4) CM-SP6 spacers into position. See FISHWIRE TECHNIQUE / REVERSE PULL TECHNIQUE above.
6. Raise hitch into position and secure to frame using 1/2" flange nuts. Secure (2) 10mm bolts and (2) 3/8" conical toothed washers into the existing weldnuts. See WELDNUT CLEANING above.
7. Torque all 10mm hardware to 45 ft-lbs and all 1/2" hardware to 110 ft-lbs.
8. If plastic underbody panel will be trimmed see TRIM DIAGRAM above. Reinstall after trimming is complete.
9. On Dodge Durango models, the lower fascia and bumper will need to be trimmed to provide clearance for the hitch receiver tube. See Dodge Durango Bumper Trim Diagram.

**PERIODICALLY CHECK THIS RECEIVER HITCH TO ENSURE THAT ALL FASTENERS  
ARE TIGHT AND THAT ALL STRUCTURAL COMPONENTS ARE SOUND.**

Curt Manufacturing Inc., warrants this product to be free of defects in material and/or workmanship at the time of retail purchase by the original purchaser. If the product is found to be defective, Curt Manufacturing Inc., may repair or replace the product, at their option, when the product is returned, prepaid, with proof of purchase. Alteration to, misuse of, or improper installation of this product voids the warranty. Curt Manufacturing Inc.'s liability is limited to repair or replacement of products found to be defective, and specifically excludes liability for incidental or consequential loss or damage.

# 31033 JEEP GRAND CHEROKEE AND DODGE DURANGO

**\*\*\*DO NOT EXCEED VEHICLE MANUFACTURER'S RECOMMENDED TOWING CAPACITY \*\*\*.**

## FRONT MOUNTED ACCESSORIES

1) Do not exceed front axle Gross Weight Rating (GAWR). Consult owners manual or specification plate located on driver's door frame. Measure gross front axle weight by placing front wheels of loaded vehicle on a scale.

**WARNING:** Exceeding GAWR may overload the front axle and/or suspension. This could result in **accident, property damage and personal injury.**

2) Reposition front mounted license plate if obstructed.

3) Do not obstruct vehicle lights.

4) Allow free air flow into grille opening.

5) Rear wheel traction may be reduced. This could effect handling. Reduce speed and drive with caution.

6) Accessories extend front of vehicle. This may reduce approach angle. Use caution when parking and maneuvering.

7) Do not obstruct driver view.

## VEHICLE RECOVERY AND WINCHING TIPS

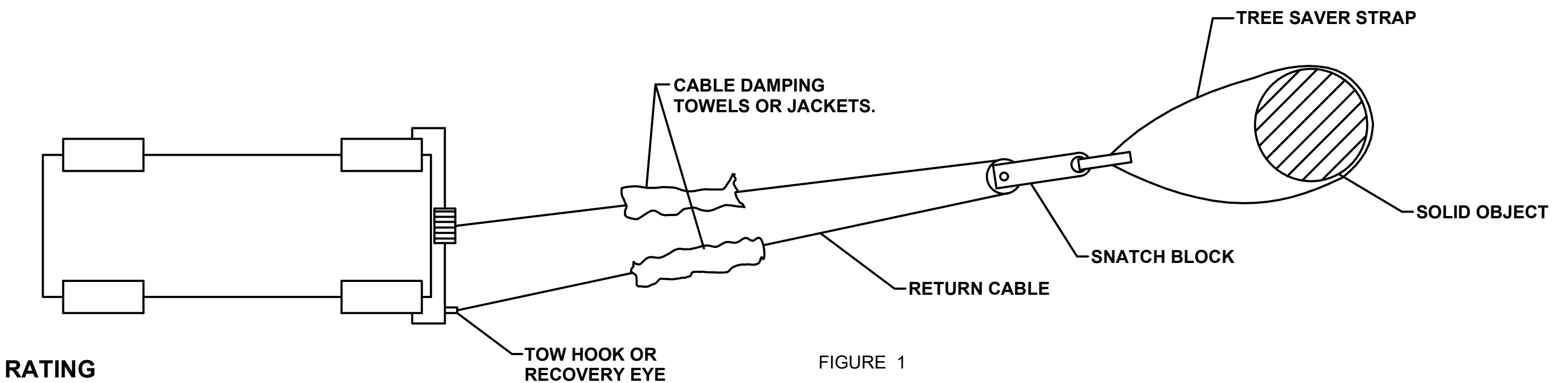
1) Use OEM tow hooks, recovery eyes or a clevis mount for attachment of a tow strap or winch cable.

**WARNING: NEVER** use a ball and/or ball mount as an anchor point for tow strap or winch cable. Severe personal injury or death could result.

2) Observe winch manufacturer's recommendations, cautions and warnings.

3) Attach return cable to tow hook or recovery eye when using a snatch block (See figure 1).

**CAUTION:** Do not attach return cable to winch mount. This may overload winch mount and/or front mounted receiver.



## RATING

For **Maximum** line pull rating, winch cable must not exceed:

- 15 degree angle up or down from horizontal (See Figure 2).
- 45 degree angle left or right from straight ahead (See Figure 3).

**CAUTION:** Exceeding the maximum line pull rating may over load winch, winch mount, and/or front mounted receiver.

