

INSTALLATION INSTRUCTIONS FOR MOUNTING

LUVERNE PROWLER MAX GRILLE GUARDS WITH THE FOLLOWING MODEL NOS.:
310713/321640 & 320713/321640 ON:

2016 AND NEWER 1500 GMC SIERRA PICKUPS

READ THE INSTRUCTIONS COMPLETELY AND CHECK TO MAKE SURE THAT ALL OF THE REQUIRED PARTS ARE ON HAND BEFORE STARTING THE INSTALLATION. THE CARTON SHOULD CONTAIN:

- (1) GRILLE GUARD PACKAGE – #310713 or #320713
 - (1) GRILLE GUARD ASSEMBLY
- (1) BRACKET PACKAGE: #321640
 - (1) MOUNTING BRACKET, LH
 - (1) MOUNTING BRACKET, RH
 - (1) TOP MOUNTING BRACKET, LH
 - (1) TOP MOUNTING BRACKET, RH
 - (1) FASTENER PACKAGE
 - (1) CUSTOMER SERVICE PACKAGE

REFER TO FIG. 1 FOR GUARD ASSEMBLY INSTRUCTIONS 2-23

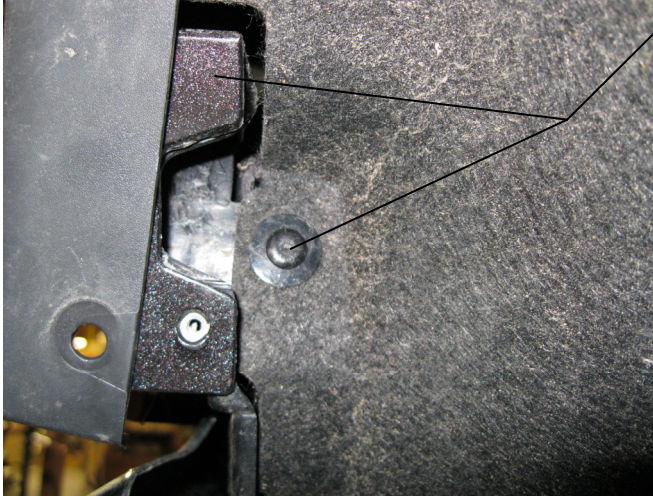


1. ON EACH SIDE OF THE VEHICLE, REMOVE THE SCREW THAT SECURES THE WHEEL WELL TRIM TO THE BODY.

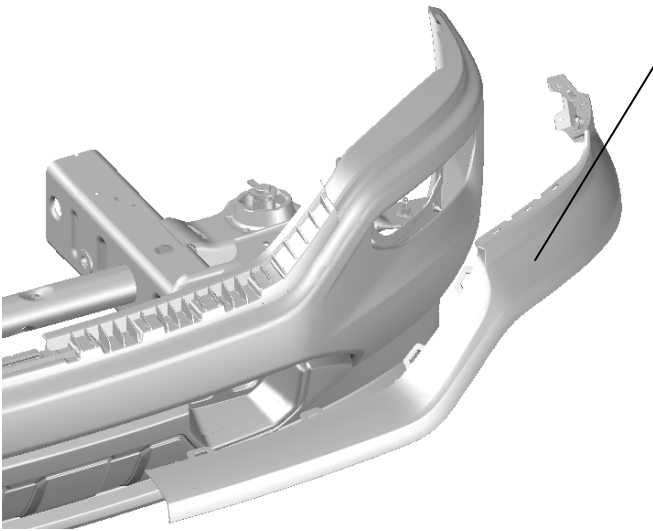


2. CAREFULLY PULL OUT THE BOTTOM OF THE TRIM TO POP OUT THE FASTENERS FROM THE BODY SHEET METAL.





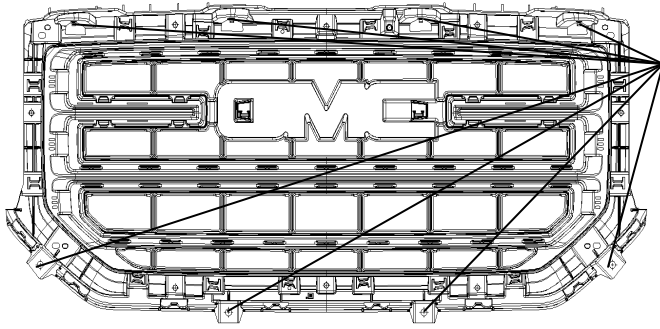
3. ON EACH SIDE OF THE VEHICLE, REMOVE THE TWO SCREWS THAT SECURE THE ENDS OF THE PLASTIC TRIM ON THE TOP OF THE BUMPER TO THE BODY SHEET METAL.



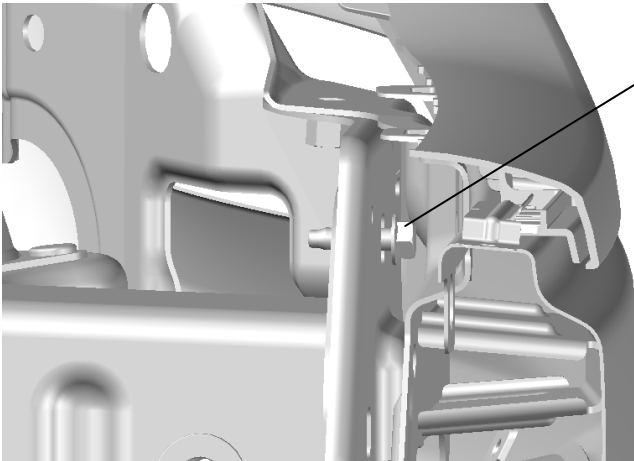
4. CAREFULLY PULL OUT ON THE PLASTIC TRIM AND REMOVE IT FROM THE VEHICLE AND SET IT ASIDE.



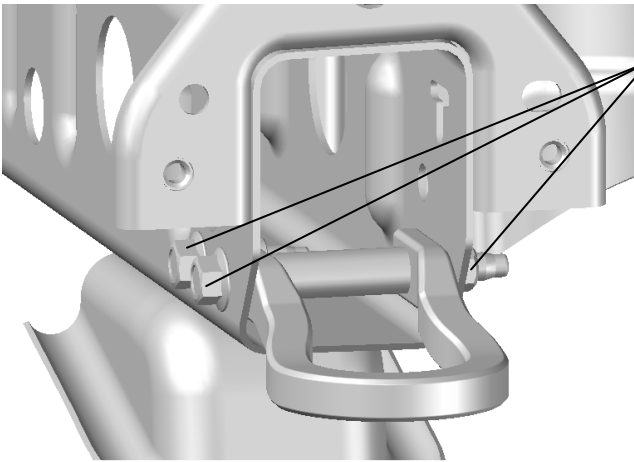
5. OPEN THE HOOD AND POP OUT THE TWELVE PLASTIC RIVETS AND REMOVE THE PLASTIC SHROUD COVERING THE FAN AND RADIATOR.



6. UNSCREW THE FOUR SCREWS ON THE TOP OF THE GRILLE AND THE FOUR SCREWS AT THE BOTTOM OF THE GRILLE THAT ARE SECURING THE GRILLE TO THE VEHICLE. REMOVE THE GRILLE.



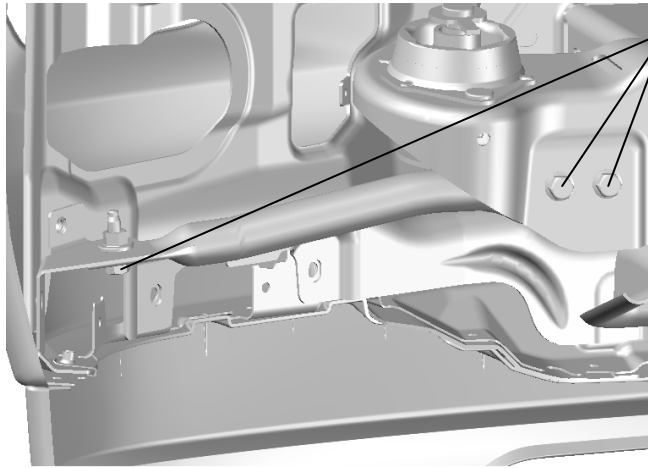
7. LOOSTEN THE TOP TWO BOLTS THAT FASTEN THE BUMPER TO THE FRAME ABOUT A 1/4" SO THAT YOU CAN SLIDE THE TOP MOUNTING BRACKETS UNDER THE WASHERS ON THE BOLTS AS SHOWN IN THE PICTURE.



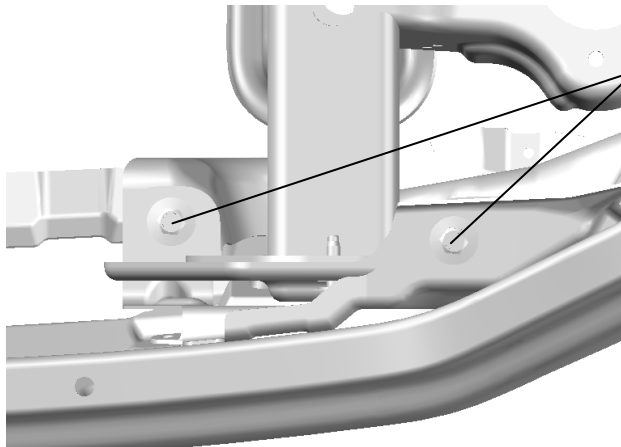
8. LOOSEN AND REMOVE THE REAR BOLTS AND NUT FROM THE LONG BOLTS AT THE FRONT OF THE FRAME THAT HOLD THE TOW HOOKS TO THE END OF THE FRAME. AFTER THE NUTS ON THE LONG BOLTS AT THE FRONT ARE REMOVED IT WILL BE NECESSARY TO CUT THE HEAD FROM THE LEFT HAND BOLT. REMOVE THE TOW HOOKS AND THE COVERS ATTACHED TO THEM. IT MAY BE NECESSARY TO TRIM OFF THE TWO TABS STICKING UP IN THE PLASTIC VALANCE PANEL TO ALLOW THE BRACKET CLEARANCE TO INSERT INTO THE FRAME.

9. NOTE: IF YOU HAVE FRONT PARKING SENSORS AND NEED TO GET THE SENSORS OUT OF THE BUMPER FOR RELOCATION OR WANT TO AVOID CUTTING THE TOW HOOK BOLTS YOU CAN REMOVE THE FRONT BUMPER AT THIS TIME.

10. TO REMOVE THE BUMPER, UNPLUG THE WIRE HARNESS SERVICING THE FRONT BUMPER.

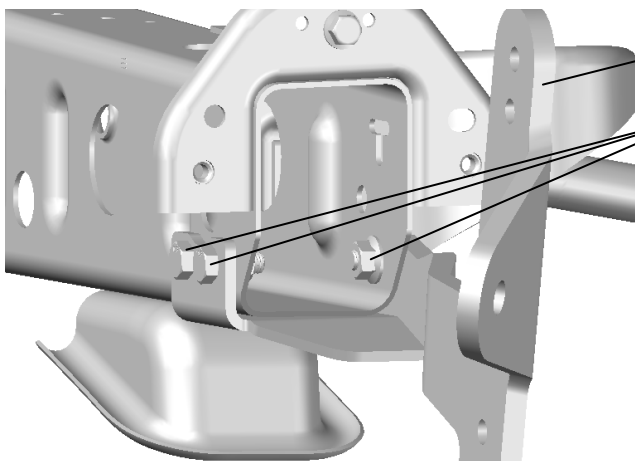


11. UNDER THE VEHICLE, LOCATE THE TWO TUBULAR SIDE BRACES AND REMOVE THE BOLTS HOLDING THE BRACE TO THE FRAME AND THEN THE OUTER BOLT HOLDING THE BRACE TO THE BUMPER. THE BRACE SHOULD BE ABLE TO BE PIVOTED TO CLEAR THE BUMPER.

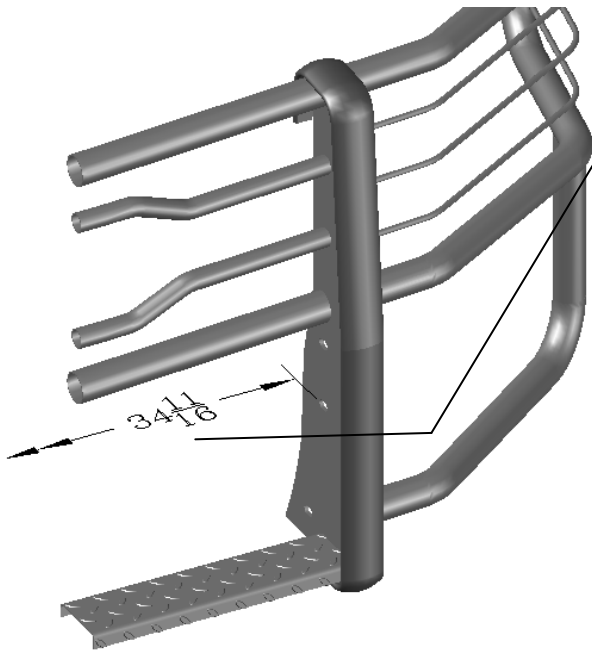


12. STANDING AT THE FRONT OF THE VEHICLE AND LOOKING DOWN, FIND THE FOUR BOLTS THAT FASTEN THE BUMPER TO THE TRUCK, ONE ON EACH SIDE OF THE TWO FRAME RAILS AND REMOVE THE FOUR BOLTS. REMOVE AND SET THE BUMPER ASIDE.

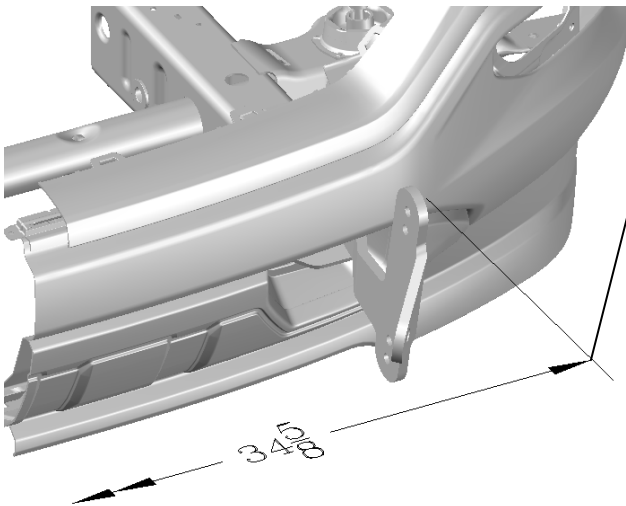
13. IF YOU HAVE SENSORS, REMOVE THEM AT THIS TIME. PLUG THE FOUR WIRE EXTENSIONS PROVIDED WITH THE SENSOR RELOCATION KITS INTO THE ENDS OF THE SENSOR CABLES AND REINSTALL THE BUMPER.



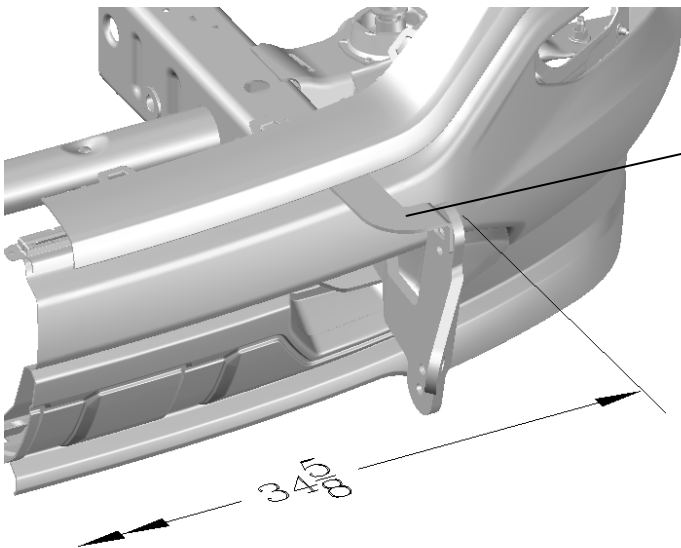
14. INSTALL THE MOUNTING BRACKET (ITEM #2 & #3) ON TO THE END OF THE FRAME. FASTEN WITH THE M12 X 1.75 X 30mm HEX BOLTS (ITEM #6) AND M12 X 1.75 HEX FLANGE NUTS (ITEM #8). JUST SNUG UP AT THIS TIME.



15. MEASURE THE PROWLER MAX BETWEEN THE INSIDES OF THE UPRIGHTS AT THE BOTTOM WHERE THE BRACKETS ATTACH. IT SHOULD BE APPROX. 34-11/16".

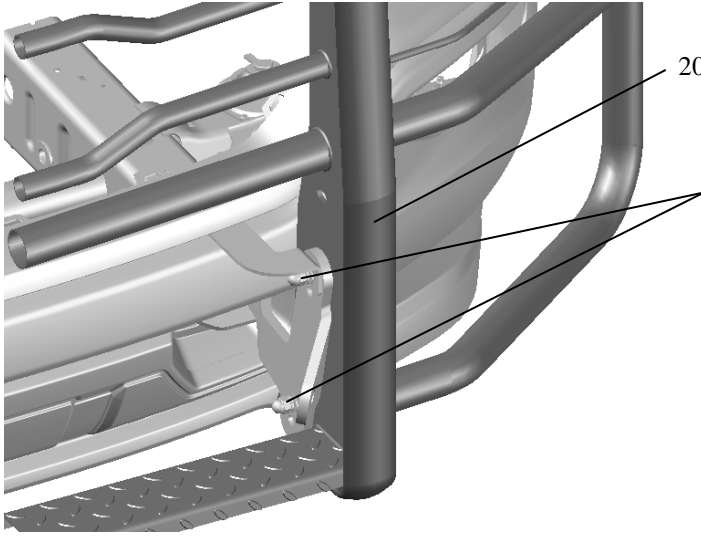


16. MEASURE THE OUTSIDE TO OUTSIDE DISTANCE OF THE MOUNTING BRACKETS AND SET THE BRACKETS AT A DEMENSION THAT WILL FIT INSIDE OF THE GRILLE GUARD UPRIGHTS.



17. INSTALL AND ADJUST THE TOP MOUNTING BRACKETS (ITEMS #4 & #5) SO THAT THE FLANGES OF THE BRACKETS ARE TIGHT AGAINST THE INSIDE OF THE TOP OF THE MOUNTING BRACKETS AND TIGHTEN THE BOLTS HOLDING THE TOP BRACKET TO THE FRAME.

18. REINSTALL THE GRILLE AND THE SHROUD OVER THE TOP OF THE GRILLE AND RADIATOR.
19. REINSTALL THE PLASTIC MOLDING ON THE TOP OF THE BUMPER AND PLUG IN THE WIRE HARNESS.



20. INSTALL THE GRILLE GUARD WELDMENT ONTO THE MOUNTING BRACKETS (ITEM #2 & #3) WITH THE BRACKET TO THE INSIDE OF THE UPRIGHTS. (**NOTE: USE THE TOP HOLES IN THE MOUNTING BRACKETS.**) FASTEN WITH THE 1/2"-13 X 1-1/2" CARRIAGE BOLTS (ITEM #7), 1/2" SAE WASHERS (ITEM #10), 1/2" LOCK WASHERS (ITEM #11), AND THE 1/2"-13 ACORN NUTS (ITEM #9). LEAVE LOOSE AT THIS TIME.

21. TIGHTEN THE BOLTS ATTACHING THE BRACKETS TO THE FRAME.
22. CHECK THAT THE GRILLE GUARD IS CENTERED ON THE GRILLE.
23. TIGHTEN THE 1/2"-13 CAP NUTS (ITEM #10) ON THE 1/2"-13 X 1-1/2" CARRIAGE BOLTS (ITEM #7), FASTENING THE MOUNTING BRACKETS TO THE GRILLE GUARD.

SERVICE PARTS LIST

ITEM	PART NO.	QTY	DESCRIPTION
1	310713	1	GRILLE GUARD WELDMENT - SST
1	320713	1	GRILLE GUARD WELDMENT - BLACK
2	202888	1	MOUNTING BRACKET - LH
3	202889	1	MOUNTING BRACKET - RH
4	202898	1	TOP MOUNTING BRACKET - LH
5	202899	1	TOP MOUNTING BRACKET - RH
6	103439	6	HEX HEAD SCREW- M12 X 1.75 X 30mm, ZP
7	104131	4	CARRAGE BOLT - 1/2"-13 X 1-1/2", BLK ZP
8	100794	6	SERRATED FLAGE NUT - M12 X 1.75, BLK ZP
9	109510	4	ACORN NUT - 1/2"-13, BLACK ZP
10	100940	6	FLAT WASHER - 1/2", SAE, BLACK ZP
11	109511	4	LOCK WASHER - 1/2", BLACK ZP
12	106888	1	DECAL - LOGO, LUVERNE, 3/4" X 3"

SERVICE PARTS LIST

MODEL NO. - 310713/321640
 MODEL NO. - 320713/321640

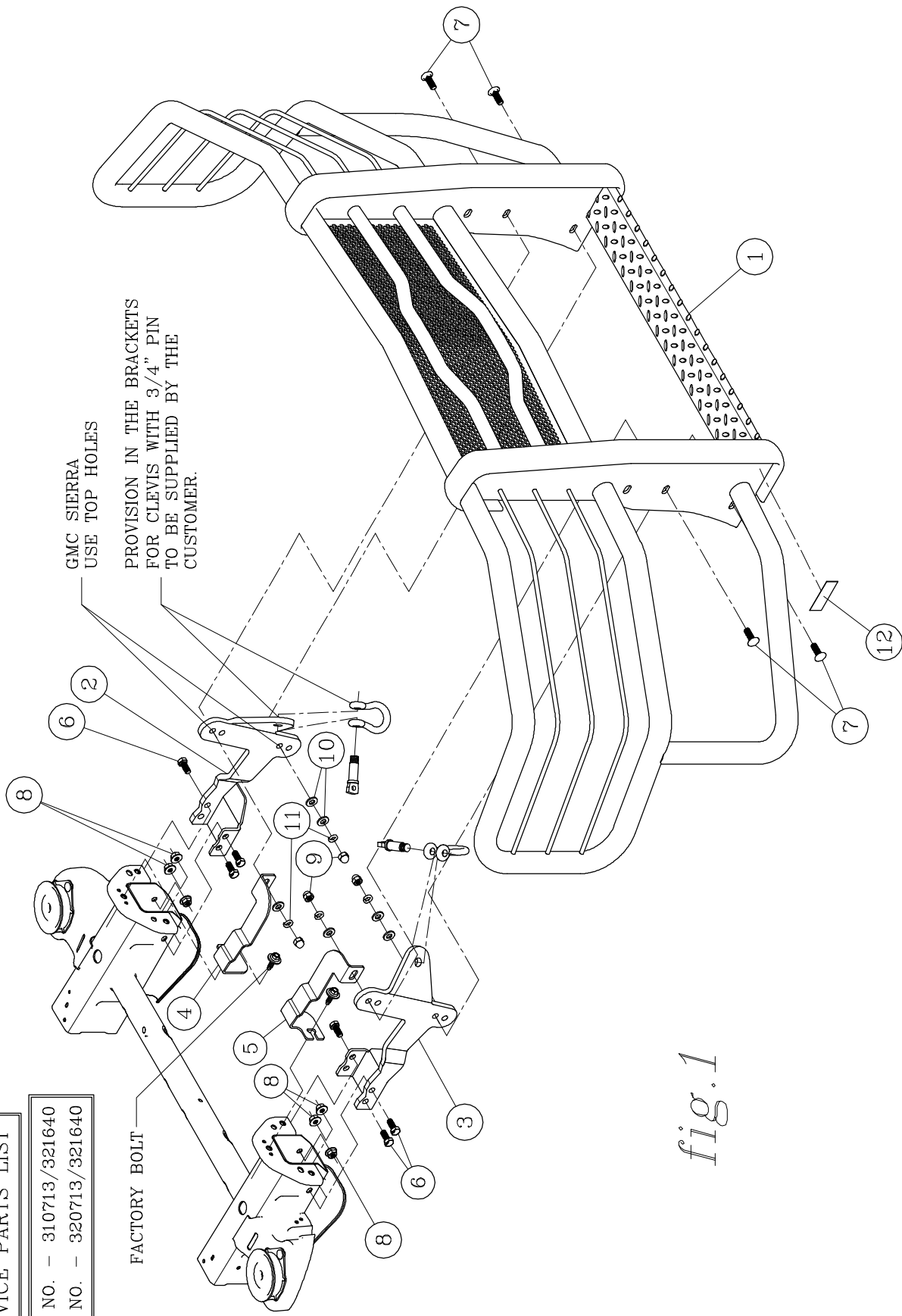


fig.1

COVERNE
 TRUCK EQUIPMENT