

INSTALLATION MANUAL

31091

Level of Difficulty

Moderate

Installation difficulty levels are based on time and effort involved and may vary depending on the installer level of expertise, condition of the vehicle and proper tools and equipment.

Weight Carrying Capacity

Gross trailer weight (GTW)	5,000 lbs.
Tongue weight (TW)	500 lbs.
Straight line pull	9,000 lbs.

Parts List

Item	Qty	Description
1	2	Serrated-flange nut, 1/2"
2	2	Square hole spacer, 1/4" x 1-1/2" x 3"
3	2	Round hole spacer, .188 x 1-1/2" x 2"
4	2	Fishwire, 1/2"
5	2	Hex bolt, M12
6	2	Carriage bolt, 1/2"
7	2	Conical-toothed washer, 1/2"

Tools Required

Ratchet	Tape
Socket, 18mm	Pry bar
Socket, 3/4"	Tape measure
Boxed end wrench, 18mm	Paint marker
Socket extensions	Reciprocating saw
Torque wrench	Safety glasses

* For a tools reference guide visit curtmfg.com/trailer-hitch-installation

⚠ WARNING

Never exceed the vehicle manufacturer's recommended towing capacity.

Product Photo



NOTICE

Visit www.curtmfg.com for a full-color copy of this instruction manual, as well as helpful videos, guides and much more!

Before you begin installation, read all instructions thoroughly.

Proper tools will improve the quality of installation and reduce the time required.

This installation requires:

- May require lower air dam trimming
- Fishwiring required
- Remove two factory tow hook bolts (one per side)

Periodic inspection of the trailer hitch should be performed to ensure all mounting hardware remains tight and structural components are secure.

To help prevent damage to the product or vehicle, refer to the specified torque specifications when securing hardware during the installation process.

SAFETY INSTRUCTIONS

Safety glasses should be worn at all times while installing this product.

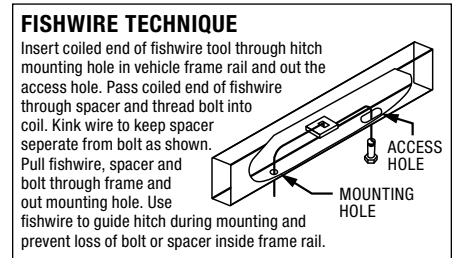
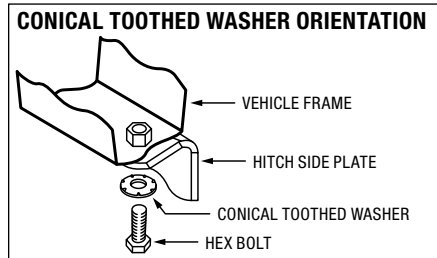
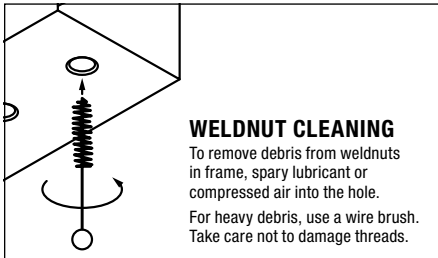
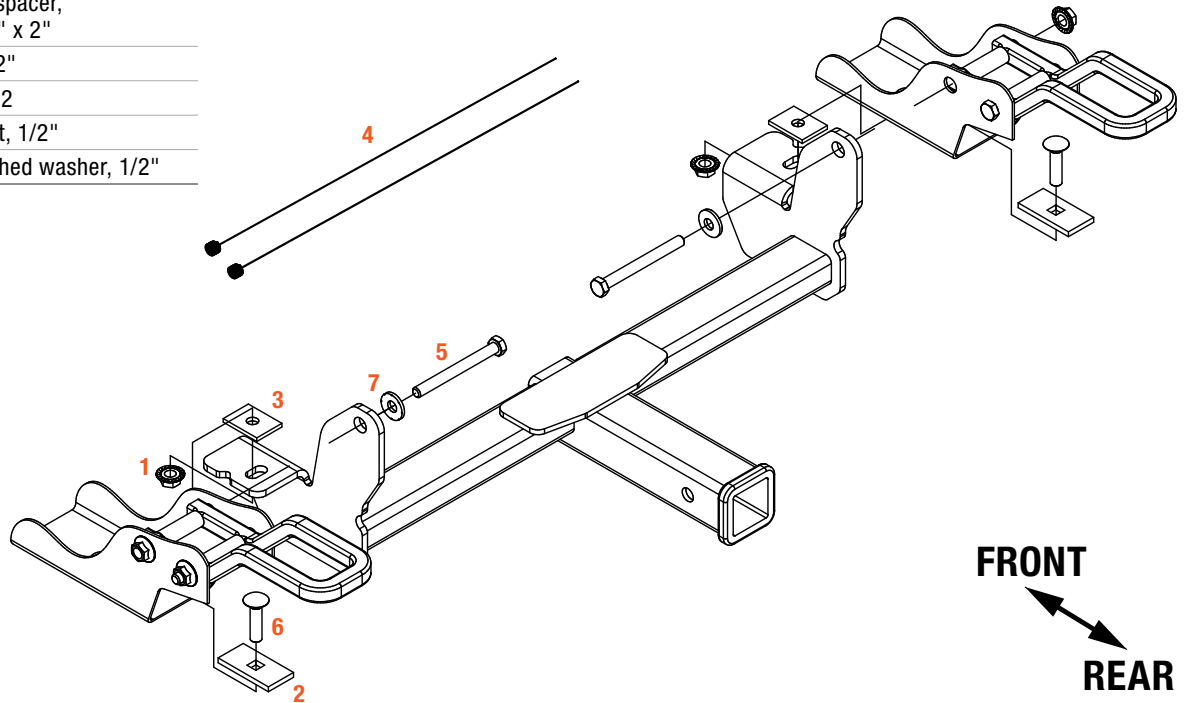
Product Registration and Warranty

CURT stands behind our products with industry-leading warranties. To get copies of the product warranties, register your purchase or provide feedback, visit: warranty.curtgroup.com/surveys

ASSEMBLY

Parts List

Item	Qty	Description
1	2	Serrated-flange nut, 1/2"
2	2	Square hole spacer, 1/4" x 1-1/2" x 3"
3	2	Round hole spacer, .188 x 1-1/2" x 2"
4	2	Fishwire, 1/2"
5	2	Hex bolt, M12
6	2	Carriage bolt, 1/2"
7	2	Conical-toothed washer, 1/2"



INSTALLATION

Step 1

Remove the existing M12 bolts with an 18mm socket and 18mm boxed wrench. Remove the rearmost bolts and hex flange nuts securing the tow hooks and return the bolts to the vehicle owner. Do not remove the forwardmost bolts securing the tow hooks. Save the M12 flange for later.



Step 2

Use a small pry tool to remove the rearmost wire harness clip on the inside of the frame on the driver side.



Step 3

Insert the coiled end of the fishwire through the existing hole in the bottom of the frame and out of the end of the frame rail. Attach the 1/2" carriage bolt (#6) and square hole spacer (#2). Pull the fishwire and fasteners into position on both sides. Make sure the spacers are sitting flat inside the frame and leave the fishwires attached.



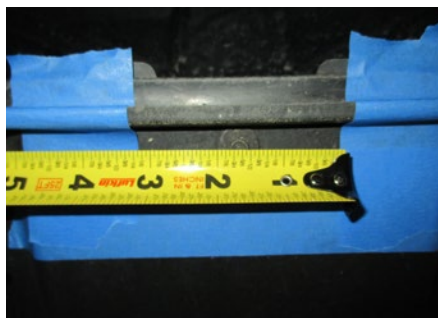
Step 4

Tape the round hole spacer (#3) to the bottom of the frame with tape on both sides of the vehicle. Fishwire the bolt through the round hole spacer. Be sure that the spacers are flat against bottom of the frame.



Step 5

Temporarily raise hitch into position and determine if trimming is needed or desired. If needed, locate the center line of the vehicle and mark roughly a 3-1/4" wide by 1" tall notch from the lower edge of the lower plastic fascia. Use a reciprocating saw or cutoff wheel as needed to make the cut.



Step 6

Raise the hitch back into position with the fishwires inserted into the lower mounting holes and slide the long M12 hex bolts (#5) and 1/2" conical-toothed washers (#7) through the hitch and into the rear mounting holes of the tow hook on each side.

Loosely install the existing factory M12 flange nuts on each bolt. Pull the 1/2" carriage bolts (#6) through the lower mounting holes, remove the fishwire and loosely install the 1/2" serrated-flange nuts (#1).



Step 7

First, torque all 1/2" fasteners to 110 ft-lbs. Next, torque all M12 fasteners to 79 ft-lbs.



Final Installed Image



TOWING BASICS & SAFETY INFORMATION

For information on safely towing your trailer, visit curtmfg.com/understanding-towing.