

INSTALLATION INSTRUCTIONS FOR MOUNTING

LUVERNE PROWLER MAX AND BAJA GUARD WITH THE FOLLOWING MODEL NO.:
320930/320933/350931 ON:

2009 AND NEWER DODGE RAM 1500 SERIES TRUCKS

1. READ THE INSTRUCTIONS COMPLETELY AND CHECK TO MAKE SURE THAT ALL OF THE REQUIRED PARTS ARE ON HAND BEFORE STARTING THE INSTALLATION. THE CARTON SHOULD CONTAIN:

(1) RING PACKAGE

(1) GRILLE GUARD WELDMENT, BLACK

(1) BRACKET PACKAGE

(1) MOUNTING BRACKET, LH

(1) MOUNTING BRACKET, RH

(2) MOUNTING BRACKET, FRAME

(2) MOUNTING BRACKET, BOTTOM

(1) HARDWARE PACKAGE

(1) CUSTOMER SERVICE PACKAGE

REFER TO SHEETS #1 - #4 FOR GUARD ASSEMBLY & INSTALLATION

2. IF YOUR VEHICLE IS EQUIPPED WITH TOW HOOKS, REMOVE THEM AND THE BRACKETS ATTACHED TO THE FRAME THAT SUPPORTS THEM. YOU WILL REUSE THE NUTS THAT ARE HOLDING THE BUMPER TO THE TOW HOOK BRACKET
3. IF YOUR VEHICLE DOES NOT HAVE TOW HOOKS, REMOVE THE TWO LOWER NUTS THAT HOLD THE BUMPER TO THE FRAME ON EACH SIDE.

NOTE: IF THE VEHICLE DOES NOT HAVE TOW HOOKS THE RECESSED PORTION IN THE BUMPER FILLER WILL HAVE TO BE CUT OUT.

4. INSTALL THE TWO FRAME MOUNTING BRACKETS (ITEM #4) TO THE FRAME PLATES ON THE END OF THE FRAME USING THE 1/4"-20 X 3/4" HEX BOLTS (ITEM #10) TO ALIGN THE BRACKETS WITH THE FRAME.
5. REINSTALL THE FACTORY NUTS ON THE BOLTS AND TIGHTEN.
6. INSERT THE MOUNTING BRACKETS (ITEM #2 & #3) INTO THE HOLES IN THE FACE OF THE BUMPER WHERE THE TOW HOOKS CAME THROUGH AND FASTEN TO THE FRAME MOUNTING BRACKETS WITH THE 1/2"-13 X 1-1/2" HEX BOLTS (ITEM #6), 1/2" FLAT WASHERS (ITEM #14) AND 1/2"-13 SERRATED FLANGE NUTS (ITEM #12). SNUG UP, LEAVE LOOSE AT THIS TIME.
7. INSTALL THE GRILLE GUARD ONTO THE MOUNTING BRACKETS AND FASTEN WITH THE 1/2"-13 X 1-1/2" CARRIAGE BOLTS (ITEM #7), 1/2" SAE FLAT WASHERS (ITEM #15), 1/2" LOCK WASHERS (ITEM #17), AND 1/2"-13 ACORN NUTS (ITEM #11). SNUG UP, LEAVE LOOSE AT THIS TIME. INSTALL M12 X 1.5 X 45mm HEX BOLTS (ITEM #8) IN THE REAR HOLES TO ALIGN THE BRACKETS. SCREW THEM IN JUST FAR ENOUGH TO KEEP THE BRACKETS ALIGNED .



NOTE: FOR THE BAJA GUARD SKIP TO STEP 9.

7. POSITION ONE OF THE BOTTOM MOUNTING BRACKETS (ITEM #5) SO THAT THE HOLES IN THE BRACKET LINE UP WITH THE HOLE IN THE BOTTOM OF THE UPRIGHT BRACKET AND THE HOLE IN THE BOTTOM OF THE TOW HOOK MOUNTING HORN HANGING DOWN FROM THE FRAME AND MARK THE AIR DAM WHERE THE MOUNTING BRACKET WILL NEED TO PASS THROUGH THE LOWER LIP OF THE AIR DAM. CUT A CLEARANCE HOLE THROUGH THE AIR DAM TO ALLOW THE BRACKET TO PASS THROUGH.

NOTE: AN OPTIONAL EASIER METHOD OF ALTERING THE LOWER AIR DAM IS TO NOTCH OUT THE SHORT FLANGE ON THE BOTTOM OF THE AIR DAM AND ALLOW THE MAIN PORTION OF THE AIR DAM TO REST ON TOP OF THE BRACKETS.

8. REMOVE THE M12 BOLT FROM THE TOW HOOK HORN AND FASTEN THE REAR OF THE MOUNTING BRACKETS TO THE TOW HOOK MOUNTING HORN PROTRUDING DOWN FROM THE BOTTOM OF THE FRAME WITH THE M12 X 1.5 X 45mm HEX BOLTS (ITEM #8), 1/2" LOCK WASHERS (ITEM #17) AND 7/16" FLAT WASHERS (ITEM #16). SNUG UP, LEAVE LOOSE AT THIS TIME.
9. FASTEN THE FRONT OF THE MOUNTING BRACKETS (ITEM #5) TO THE GRILLE GUARD (ITEM #1) WITH THE 7/16"-14 X 1-1/4" HEX BOLTS (ITEM #9), 7/16" FLAT WASHERS (ITEM #16), AND 7/16"-14 SERRATED FLANGE NUTS (ITEM #13). SNUG UP, LEAVE LOOSE AT THIS TIME.
10. TIGHTEN THE THE 1/2"-13 X 1-1/2" HEX BOLTS (ITEM #6), THAT FASTEN THE FRAME MOUNTING BRACKETS TO THE FRAME.
11. CHECK THAT THE GRILLE GUARD IS CENTERED AND VERTICAL ON THE BUMPER AND TIGHTEN THE 1/2"-13 ACORN NUTS (ITEM #11).
12. TIGHTEN THE M12 X 1.5 X 45mm HEX BOLTS (ITEM #8) AND THE 7/16"-14 X 1-1/4" HEX BOLTS (ITEM #9) THAT FASTEN THE BOTTOM MOUNTING BRACKETS TO THE FRAME AND GRILLE GUARD.

SERVICE PARTS LIST

ITEM	PART NO.	QTY	DESCRIPTION
1	320933	1	RING WELDMENT – BLACK
1	350931	1	BAJA GUARD WELDMENT – BLACK
2	202733	1	MOUNTING BRACKET – LH
3	202734	1	MOUNTING BRACKET – RH
4	202735	2	MOUNTING BRACKET - FRAME
5	202736	2	MOUNTING BRACKET - BOTTOM
6	100088	4	HEX HEAD SCREW – 1/2”-13 X 1-1/2”, ZP
7	104131	4	CARRIAGE BOLT – 1/2”-13 X 1-1/2”, BZP
8	109535	2	HEX HEAD SCREW – M12 X 1.5 X 45mm, 10.9, BZP
9	100070	2	HEX HEAD SCREW - 7/16”-14 X 1-1/4”, ZP
10	100006	2	HEX HEAD SCREW – 1/4”-20 X 3/4”, ZP
11	109510	4	ACORN NUT – 1/2”-13, BZP
12	100123	4	HEX FLANGE NUT – 1/2”-13, ZP
13	103737	2	HEX FLANGE NUT – 7/16”-14, ZP
14	100118	8	FLAT WASHER – 1/2”, ZP
15	100940	4	FLAT WASHER – SAE, 1/2”, BZP
16	100081	6	FLAT WASHER – 7/16”, ZP
17	109511	6	LOCK WASHER – 1/2”, BZP
18	106888	1	DECAL - LOGO, LUVERNE, 3/4 X 3

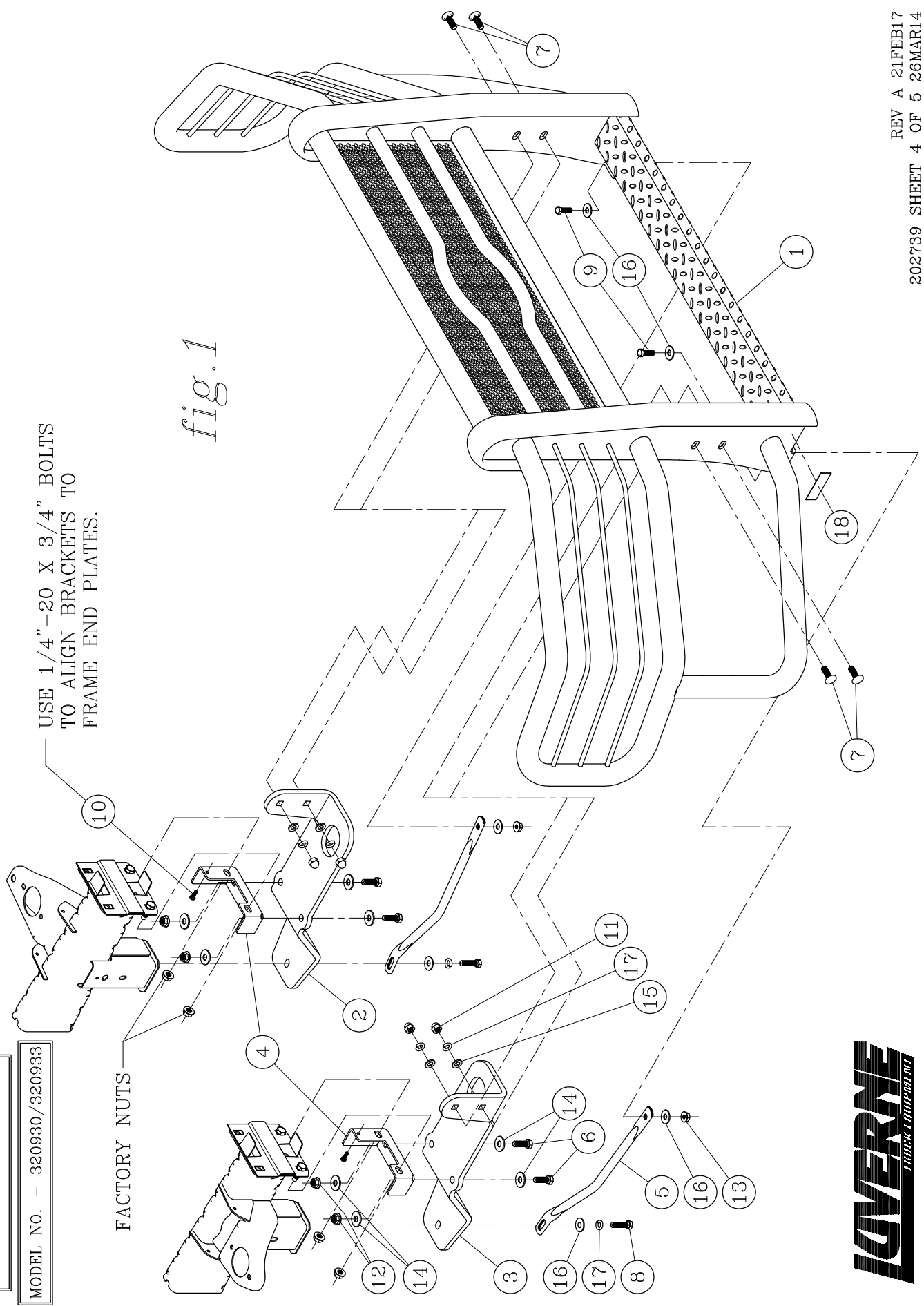
SERVICE PARTS LIST

MODEL NO. - 320930/320933

FACTORY NUTS

USE 1/4"-20 X 3/4" BOLTS TO ALIGN BRACKETS TO FRAME END PLATES.

fig.1



SERVICE PARTS LIST

MODEL NO. - 350931

USE 1/4"-20 X 3/4" BOLTS
TO ALIGN BRACKETS TO
FRAME END PLATES.

FACTORY NUTS

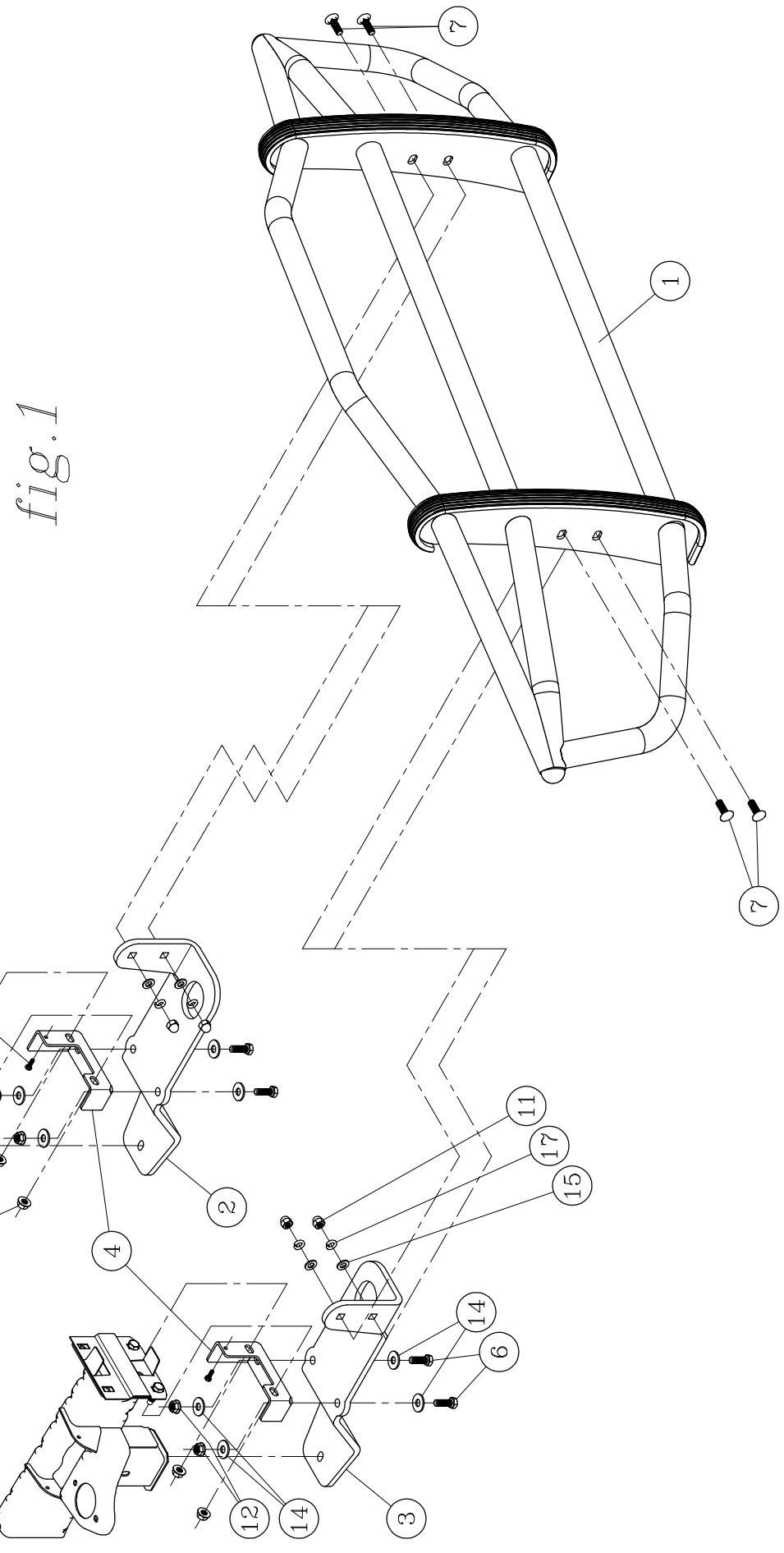


fig. 1

