

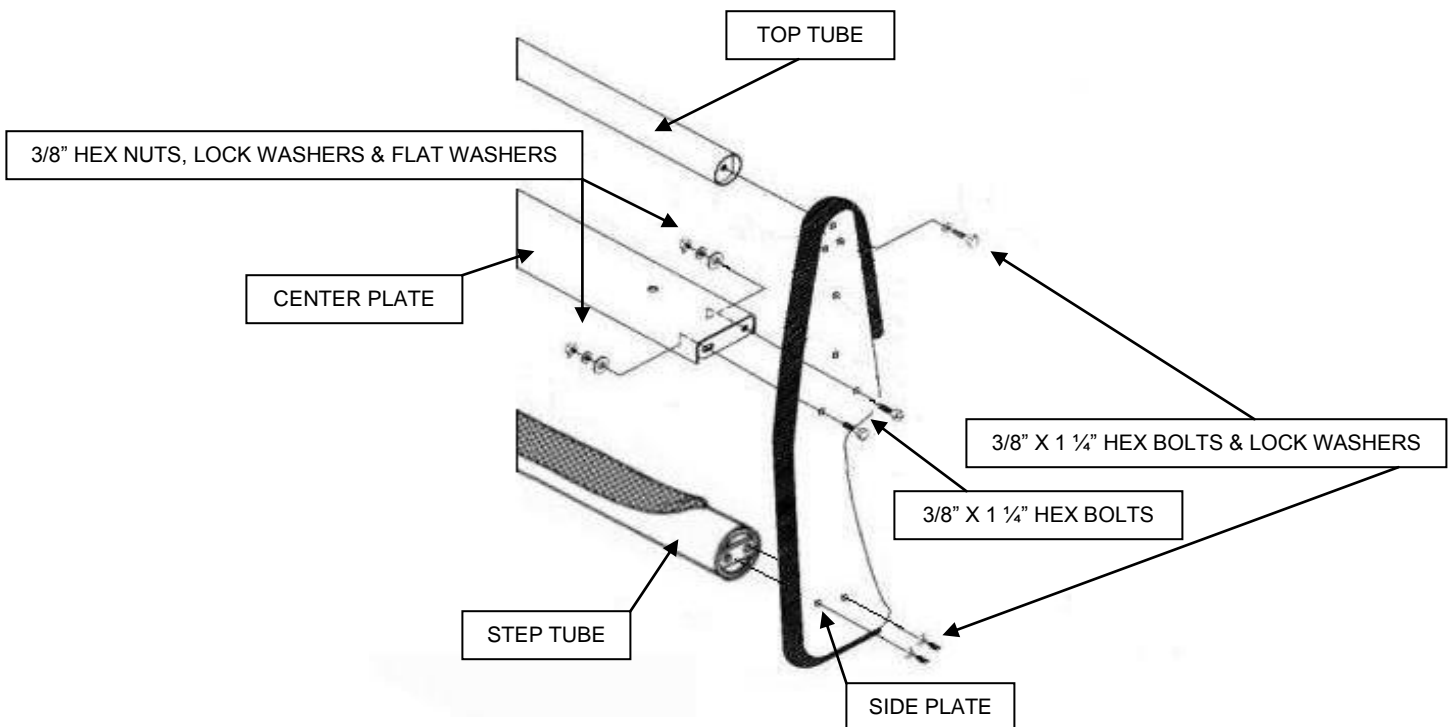
## INSTALLATION INSTRUCTIONS

3000 SERIES STEP GUARD (CENTER GRILLE GUARD ONLY)  
CHEVROLET AVALANCHE, TAHOE & SUBURBAN 1500 2/4WD  
PART # 3160B



### PACKING LIST

<u>QTY</u>	<u>PARTS DESCRIPTION</u>	<u>QTY</u>	<u>PARTS DESCRIPTION</u>
10	3/8" X 1 1/4" HEX BOLTS	2	3160 SIDE PLATES
10	3/8" LOCK WASHERS	1	ST3160 3" X 35 3/4" BOTTOM STEP TUBE
4	3/8" HEX NUTS	1	TT3534 2" X 35 3/4" TOP TUBE
4	3/8" FLAT WASHERS	1	CP3036 35 3/4" SPECIAL CENTER PLATE



### ASSEMBLY

- STEP 1.** BEGIN THE GRILLE GUARD ASSEMBLY BY LAYING THE COMPONENTS OUT ON A PROTECTIVE SURFACE.
- STEP 2.** POSITION THE GRILLE GUARD SIDE PLATES WITH THE FRONT EDGE DOWN AND THE 2" TOP AND BOTTOM STEP TUBE BETWEEN THE SIDE PLATES.
- STEP 3.** ATTACH THE TOP AND BOTTOM STEP TUBE TO THE SIDE PLATES USING THE 3/8" X 1 1/4" HEX BOLTS AND LOCK WASHERS. DO NOT TIGHTEN.
- STEP 4.** POSITION THE CENTER PLATE BETWEEN THE GRILLE GUARD SIDE PLATES, WITH THE **SLOTTED MOUNTING HOLES** IN THE CENTER PLATE DOWN.
- STEP 5.** INSERT THE 3/8" X 1 1/4" HEX BOLTS THROUGH THE HOLES IN THE SIDE PLATES AND CENTER PLATE, AND INSTALL THE 3/8" FLAT WASHERS, LOCK WASHER AND HEX NUTS. DO NOT TIGHTEN.
- STEP 6.** ALIGN THE GRILLE GUARD ASSEMBLY, AND TIGHTEN ALL NUTS AND BOLTS.

## INSTALLATION INSTRUCTIONS

3000 SERIES STEP GUARD (CENTER GRILLE GUARD & BRUSH GUARDS)  
CHEVROLET AVALANCHE, TAHOE & SUBURBAN 1500 2/4WD  
PART # 3160 (B-C)



### PACKING LIST

<u>QTY</u>	<u>PARTS DESCRIPTION</u>	<u>QTY</u>	<u>PARTS DESCRIPTION</u>
6	¼" X ¾" HEX BOLTS	12	½" HEX NUTS
6	¼" FLAT WASHERS	12	½" LOCK WASHERS
6	¼" HEX NUTS	2	1602 LOWER BRACKETS
2	5/16" X 1" HEX BOLTS	2	1604 LOWER BRACKETS
2	5/16" FLAT WASHERS	1	16014 DRIVER UPPER BRACKET
2	5/16" LOCK NUTS	1	16014 PASSENGER UPPER BRACKET
12	½" X 1 1/2" HEX BOLTS	2	1122LP LICENSE PLATE BRACKETS
24	½" FLAT WASHERS		

### INSTALLATION

**STEP 1.** READ THE INSTRUCTIONS COMPLETELY.

BEGINNING WITH THE DRIVER SIDE REMOVE THE (4) SCREWS AND 5MM HEX BOLT SECURING THE FRONT FASCIA FILLER PANEL. **FIG. #1**

**STEP 2.** LOCATE AND REMOVE THE PLASTIC TOW HOOK COVER FROM THE LOWER BUMPER FASCIA. **FIG. #2**  
IF EQUIPPED, REMOVE THE BOLTS AND RECOVERY HOOK.

REPEAT THE ABOVE STEPS FOR THE PASSENGER SIDE.

**STEP 3.** LOCATE THE TWO HOLES IN THE LEFT SIDE OF THE DRIVER SIDE FRAME RAIL.  
POSITION ONE OF THE 1602 LOWER MOUNTING BRACKETS UP TO THE FRAME, AND ATTACH THE BRACKET TO THE SIDE OF THE FRAME USING TWO OF THE ½" X 1 ½" HEX BOLTS, FLAT WASHERS, LOCK WASHERS AND HEX NUTS. **FIG. #3** DO NOT TIGHTEN.

**STEP 4.** LOCATE THE SINGLE HOLE IN THE RIGHT SIDE OF THE DRIVER SIDE FRAME RAIL.  
POSITION ONE OF THE 1604 LOWER MOUNTING BRACKETS UP TO THE FRAME, AND ATTACH THE BRACKET TO THE FRAME AND TO THE 1602 BRACKET USING TWO OF THE ½" X 1 ½" HEX BOLTS, FLAT WASHERS, LOCK WASHERS AND HEX NUTS. **FIG. #4** DO NOT TIGHTEN.

**STEP 5.** LOCATE THE SINGLE HOLE IN THE RIGHT SIDE OF THE **PASSENGER SIDE FRAME RAIL**.  
POSITION ONE OF THE 1602 LOWER MOUNTING BRACKETS UP TO THE FRAME, AND ATTACH THE BRACKET TO THE FRAME USING ONE OF THE ½" X 1 ½" HEX BOLT, FLAT WASHERS, LOCK WASHER AND HEX NUT. DO NOT TIGHTEN.

**STEP 6.** LOCATE THE TWO HOLES IN THE LEFT SIDE OF THE **PASSENGER SIDE FRAME RAIL**. POSITION ONE OF THE 1604 LOWER MOUNTING BRACKETS UP TO THE FRAME, AND ATTACH THE BRACKET TO THE FRAME AND TO THE 1602 BRACKET USING THREE OF THE ½" X 1 ½" HEX BOLTS, FLAT WASHERS, LOCK WASHERS AND HEX NUTS. DO NOT SECURE.

**STEP 7.** ATTACH THE GRILLE GUARD ASSEMBLY TO THE OUTSIDE OF THE 1604 LOWER MOUNTING BRACKETS USING THE 1/2" X 1 1/2" HEX BOLTS, FLAT WASHERS, LOCK WASHERS AND HEX NUTS. **FIG. #5**  
DO NOT TIGHTEN

**STEP 8.** OPEN THE HOOD. LOCATE AND REMOVE THE SCREWS SECURING THE GRILLE TO THE RADIATOR SHROUD.

**STEP 9.** ATTACH 1601D UPPER BRACKET TO THE RADIATOR SHROUD USING THE FACTOR SCREW AND TO THE GRILLE GUARD SIDE PLATE USING THE 5/16" X 1" HEX BOLT, FLAT WASHER AND LOCK NUT. **FIG. #6 & FIG. #7**  
DO NOT TIGHTEN.

REPEAT THE ABOVE STEP FOR THE PASSENGER SIDE BRACKET.

**STEP 10.** ALIGN THE GRILLE GUARD ASSEMBLY WITH THE FRONT OF THE VEHICLE AND TIGHTEN ALL MOUNTING NUTS AND BOLTS. REATTACH THE FASCIA FILLER PANELS.

IF YOUR STATE LAW REQUIRES A FRONT LICENSE PLATE, ATTACH THE 1122LP BRACKETS, AND LICENSE PLATE TO THE GRILLE GUARD CENTER PLATE USING THE ¼" HEX BOLTS, WASHERS AND NUTS. **FIG. #8**

