

INSTALLATION Supplement- Nissan, Toyota, Honda and RAM

This supplement replaces steps 3-7 in the main install sheet for the vehicles noted

XCEED

extang

truck bed covers

Read this guide before proceeding with the installation.

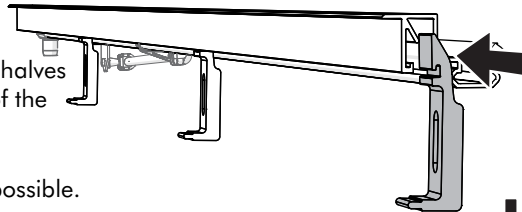
Nissan Titan 2016+ WITHOUT the Utili-Track System Channel

1

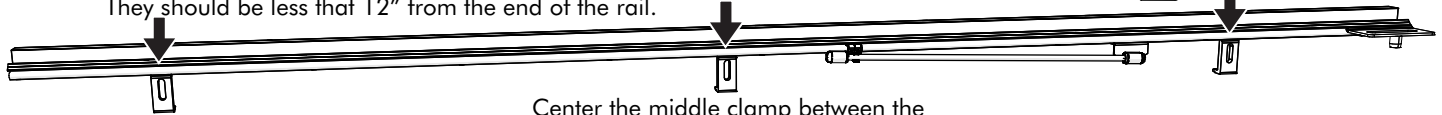
It is important that all areas where the bed cover mounts are clean and free of debris prior to installing.



Slide the outer clamp halves into the tapered slot of the bed rails



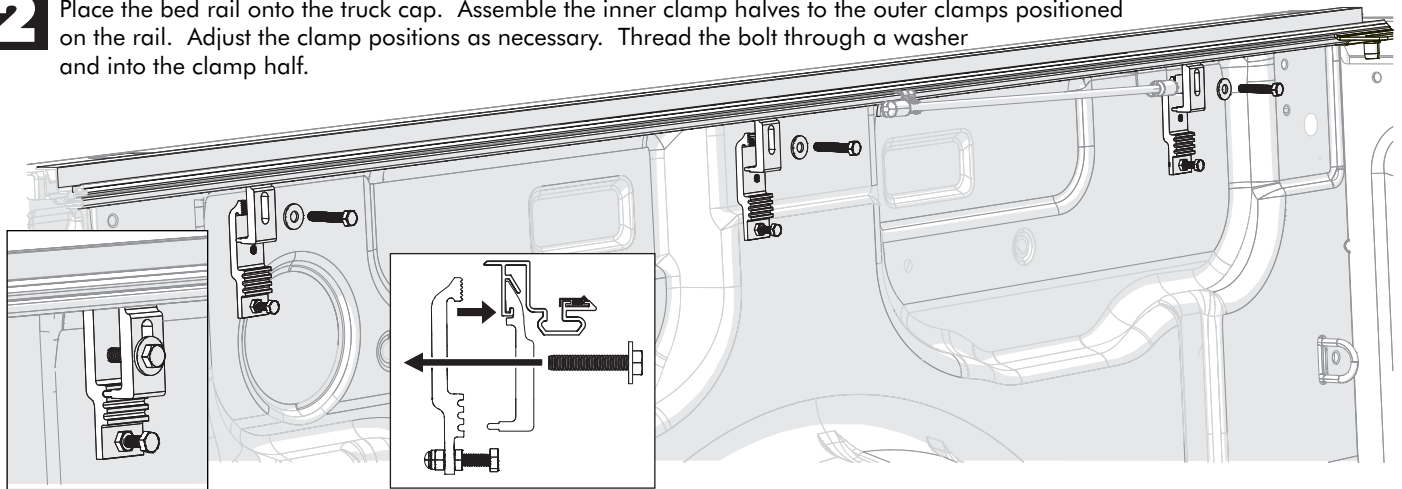
Position the front and rear clamps as close to the ends as possible. They should be less than 12" from the end of the rail.



Center the middle clamp between the front and rear clamp locations.

2

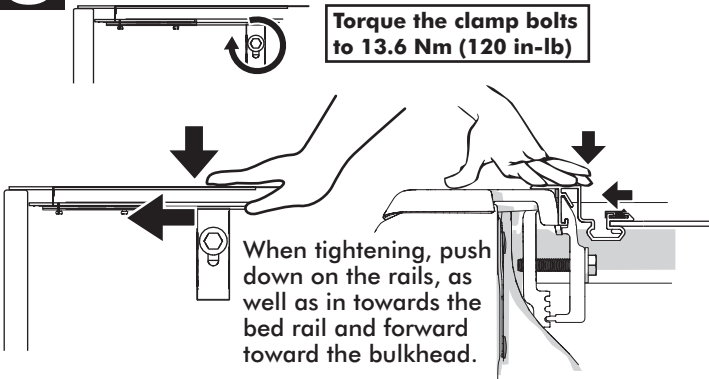
Place the bed rail onto the truck cap. Assemble the inner clamp halves to the outer clamps positioned on the rail. Adjust the clamp positions as necessary. Thread the bolt through a washer and into the clamp half.



3

Tighten the clamp bolts, the front, the middle and the rear.

Torque the clamp bolts to 13.6 Nm (120 in-lb)

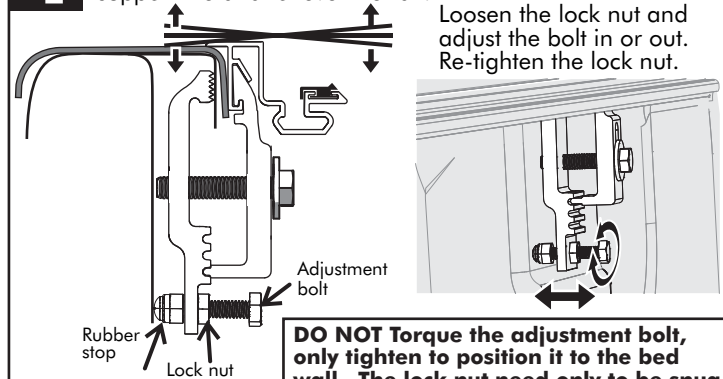


When tightening, push down on the rails, as well as in towards the bed rail and forward toward the bulkhead.

4

The lower adjustment bolt and rubber stop are used to support the and to level the rail.

Loosen the lock nut and adjust the bolt in or out. Re-tighten the lock nut.



DO NOT Torque the adjustment bolt, only tighten to position it to the bed wall. The lock nut need only to be snug.

5

Repeat all of the steps for both sides. Return to the standard installation instructions. Follow step 2 for the bulkhead seal, then skip to step 8.

Torque the clamp bolts to 13.6 Nm (120 in-lb)



INSTALLATION Supplement- Nissan, Toyota, Honda and RAM

This supplement replaces steps 3-7 in the main install sheet for the vehicles noted

Read this guide before proceeding with the installation.

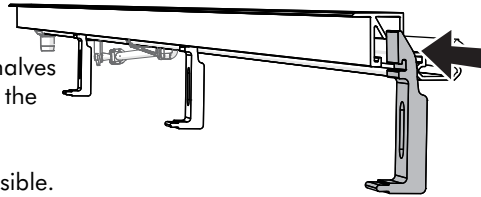
Nissan Titan 2016+ WITH the Utili-Track System Channel

1

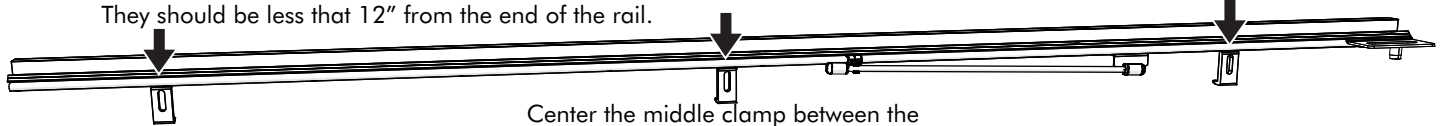
It is important that all areas where the bed cover mounts are clean and free of debris prior to installing.



Slide the outer clamp halves into the tapered slot of the bed rails



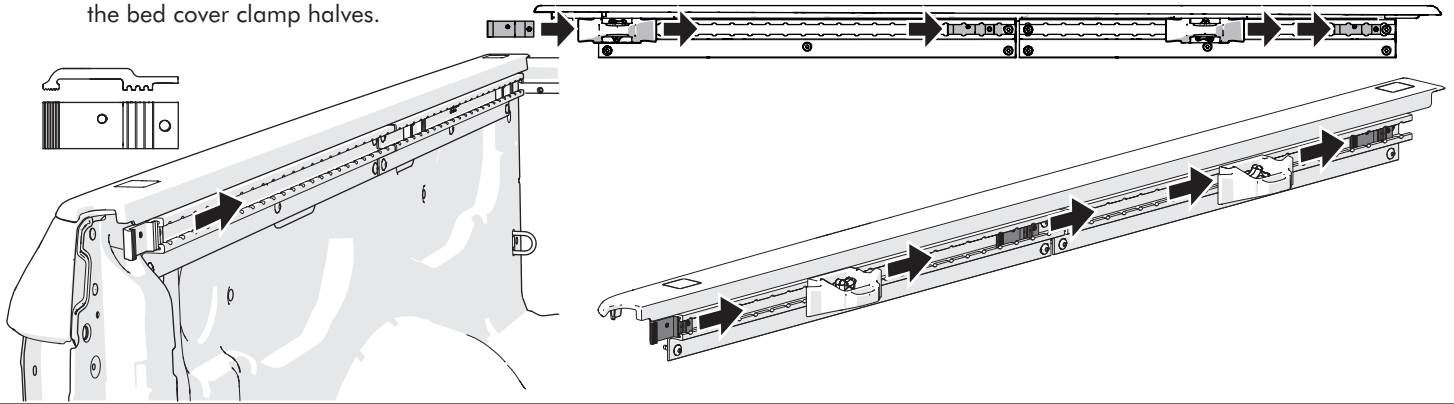
Position the front and rear clamps as close to the ends as possible. They should be less than 12" from the end of the rail.



Center the middle clamp between the front and rear clamp locations.

2

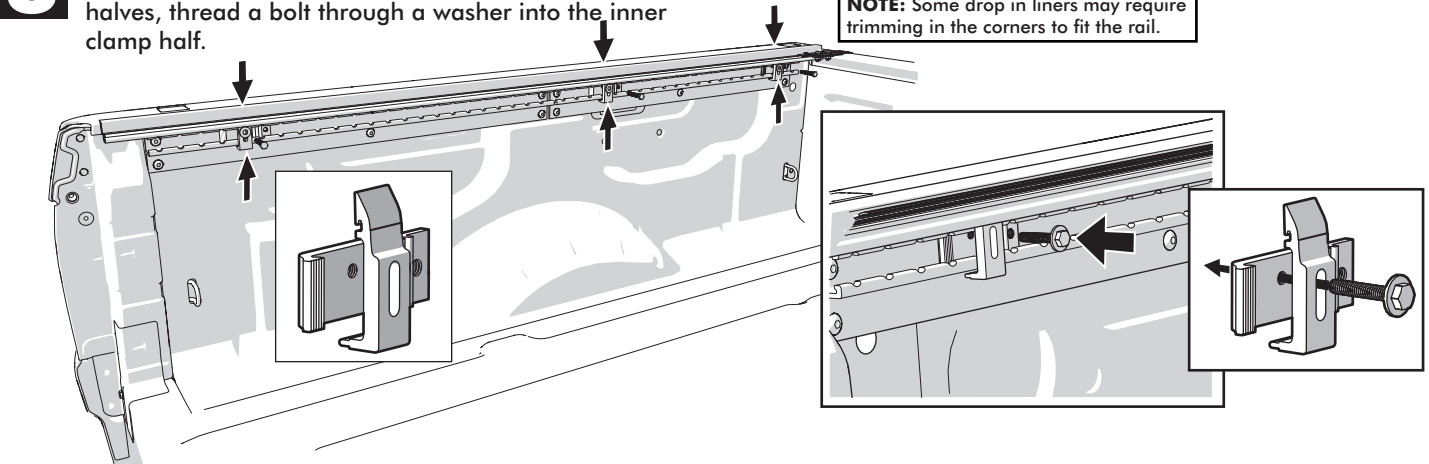
Slide the back half of the clamp directly into the vehicle tracks. The clamp halves install with the grooves facing out. Align the clamp as shown with the large grooved end first. NOTE: If reusing the factory tie-downs be sure to install them intermittently with the bed cover clamp halves.



3

Place the rail onto the truck bed rail, match the two clamp halves, thread a bolt through a washer into the inner clamp half.

NOTE: Some drop in liners may require trimming in the corners to fit the rail.

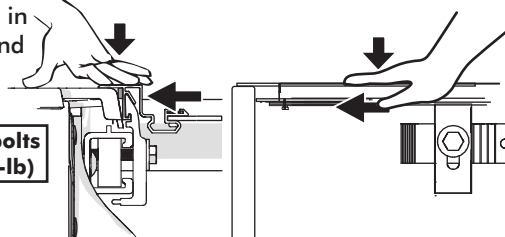


4

Tighten the clamp bolts, the front, the middle and the rear.

When tightening push down on the rails, as well as in towards the bed rail and forward toward the bulkhead.

Torque the clamp bolts to 13.6 Nm (120 in-lb)



5

Repeat all of the steps for both sides. Return to the standard installation instructions. Follow step 2 for the bulkhead seal, then skip to step 8.

Torque the clamp bolts to 13.6 Nm (120 in-lb)

INSTALLATION Supplement- Nissan, Toyota, Honda and RAM

This supplement replaces steps 3-7 in the main install sheet for the vehicles noted

Read this guide before proceeding with the installation.

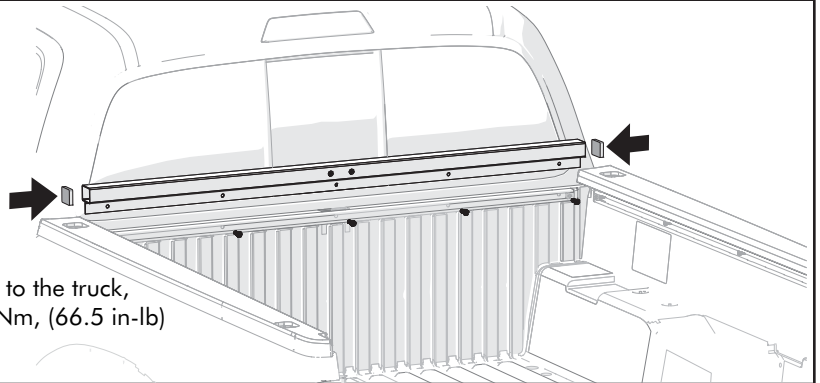
Toyota Tacoma 2016+

1

It is important that all areas where the bed cover mounts are clean and free of debris prior to installing.

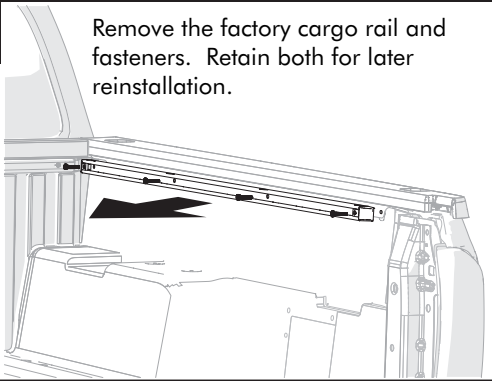


Remove the factory cab header rail. Remove the backing from the foam seals, and adhere a seal to both sides of the header rail. Reassemble the header rail to the truck, tighten the fasteners to 7.5Nm, (66.5 in-lb)



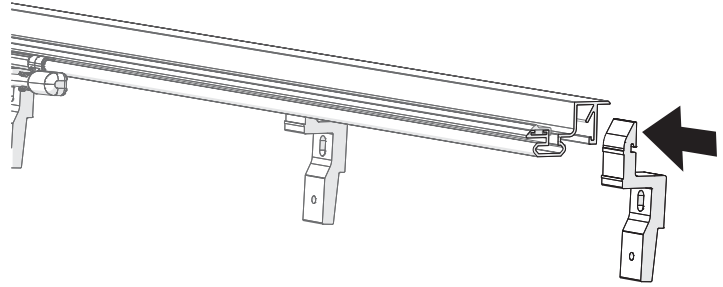
2

Remove the factory cargo rail and fasteners. Retain both for later reinstallation.



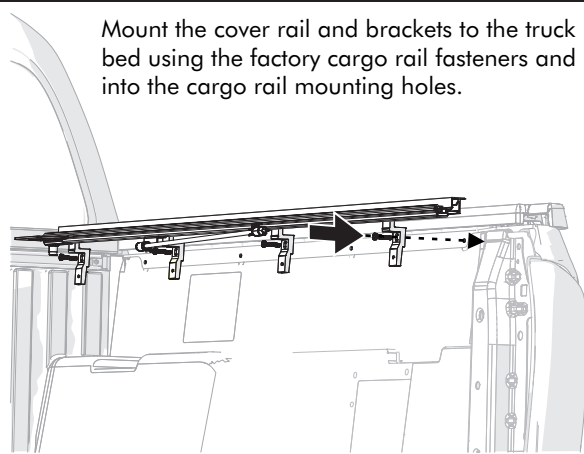
3

Align and slide the cover rail brackets into the slot in the rail. The brackets will be spaced to match the factory cargo rail holes.



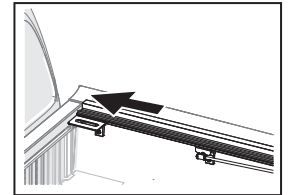
4

Mount the cover rail and brackets to the truck bed using the factory cargo rail fasteners and into the cargo rail mounting holes.

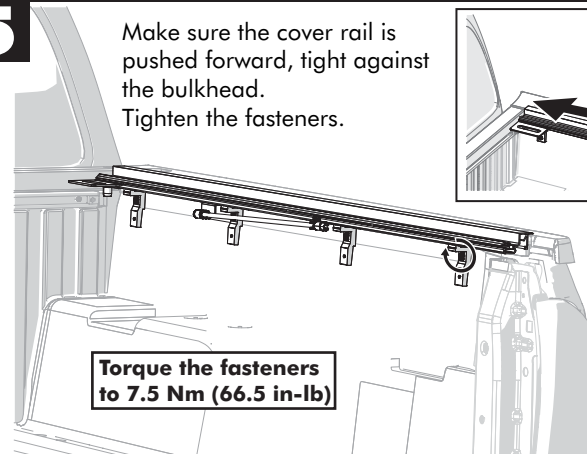


5

Make sure the cover rail is pushed forward, tight against the bulkhead. Tighten the fasteners.

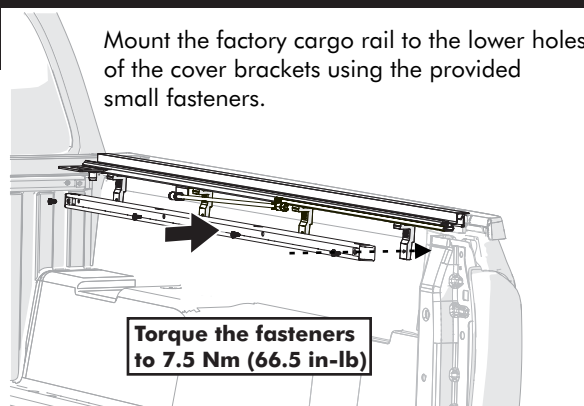


Torque the fasteners to 7.5 Nm (66.5 in-lb)



6

Mount the factory cargo rail to the lower holes of the cover brackets using the provided small fasteners.

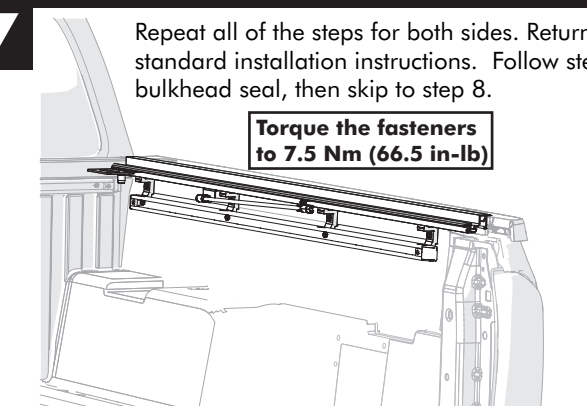


Torque the fasteners to 7.5 Nm (66.5 in-lb)

7

Repeat all of the steps for both sides. Return to the standard installation instructions. Follow step 2 for the bulkhead seal, then skip to step 8.

Torque the fasteners to 7.5 Nm (66.5 in-lb)



INSTALLATION Supplement- Nissan, Toyota, Honda and RAM

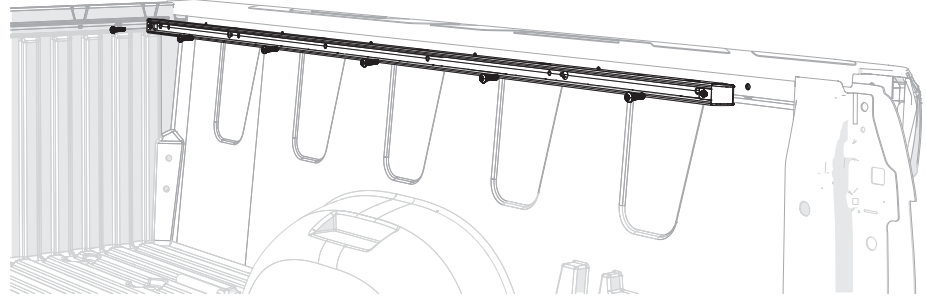
This supplement replaces steps 3-7 in the main install sheet for the vehicles noted

Read this guide before proceeding with the installation.

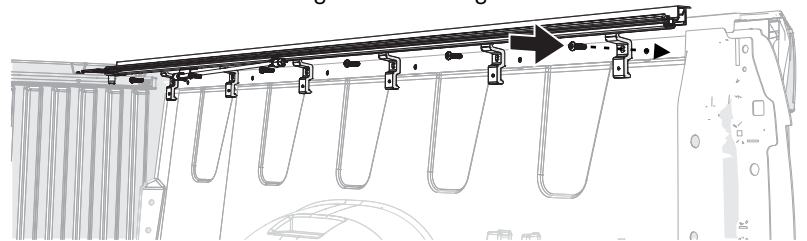
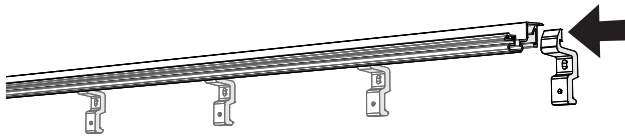
Toyota Tundra 2016+

1 Remove the factory cargo rails and fasteners. Retain both for later reinstallation.

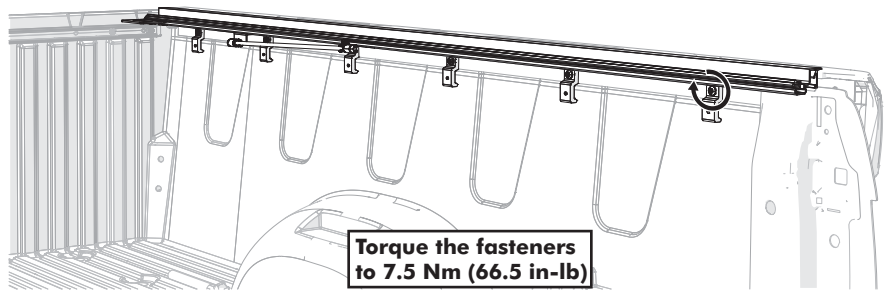
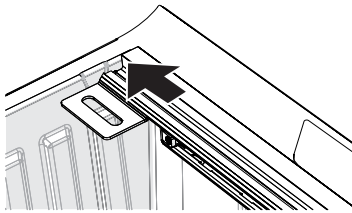
It is important that all areas where the bed cover mounts are clean and free of debris prior to installing.



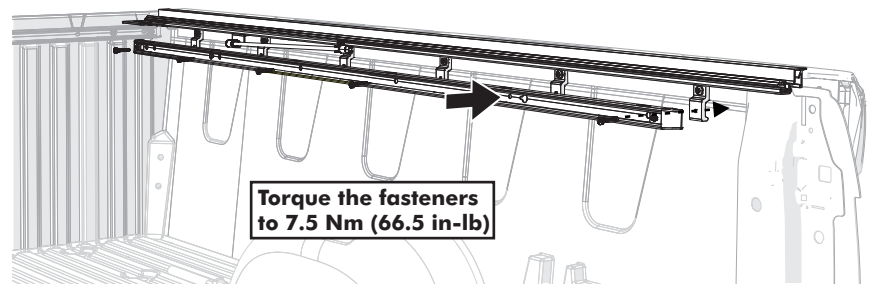
2 Align and slide the cover rail brackets into the slot in the rail. The brackets will be spaced to match the factory cargo rail holes. Mount the cover rail and brackets to the truck bed using the factory cargo rail fasteners and into the cargo rail mounting holes.



3 Make sure the cover rail is pushed forward, tight against the bulkhead. Tighten the fasteners.

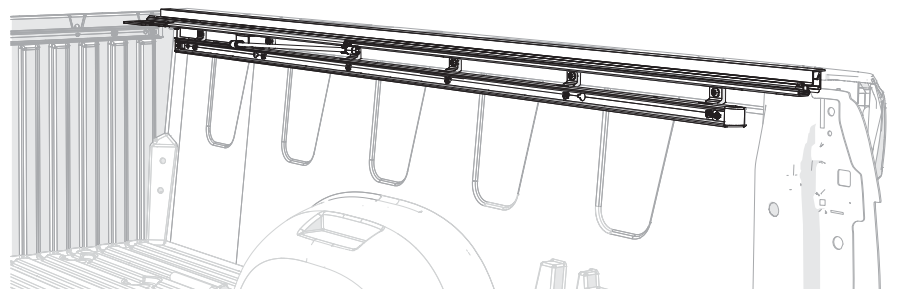


4 Mount the factory cargo rail to the lower holes of the cover brackets using the provided small fasteners.



5 Repeat all of the steps for both sides. Return to the standard installation instructions. Follow step 2 for the bulkhead seal, then skip to step 8.

Torque the fasteners to 7.5 Nm (66.5 in-lb)



INSTALLATION Supplement- Nissan, Toyota, Honda and RAM

This supplement replaces steps 3-7 in the main install sheet for the vehicles noted

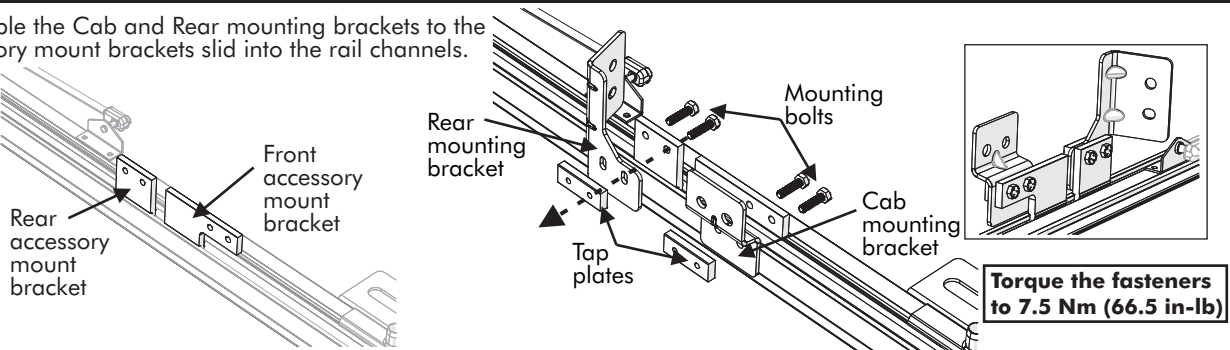
Read this guide before proceeding with the installation.

Honda Ridgeline 2017+

1

Assemble the Cab and Rear mounting brackets to the accessory mount brackets slid into the rail channels.

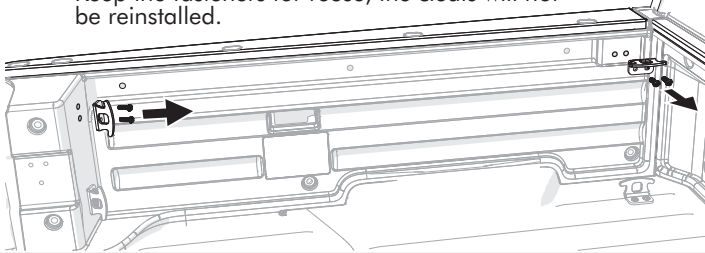
It is important that all areas where the bed cover mounts are clean and free of debris prior to installing.



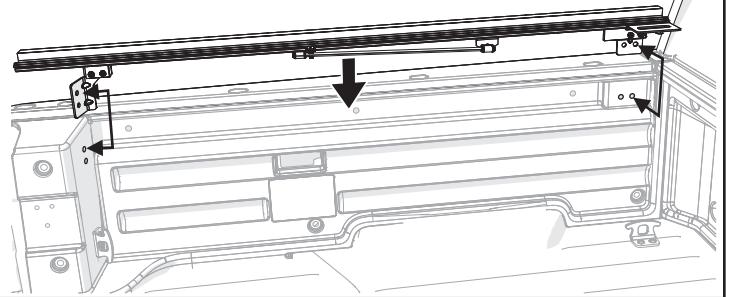
Torque the fasteners to 7.5 Nm (66.5 in-lb)

2

Remove the upper factory cleats and fasteners. Keep the fasteners for reuse, the cleats will not be reinstalled.

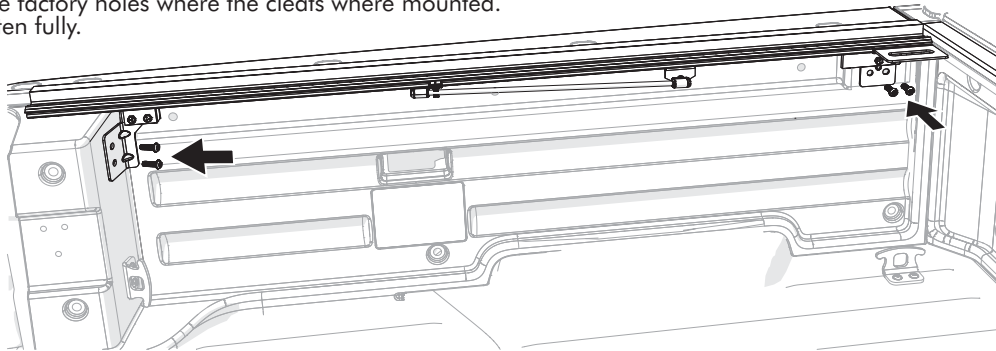


Slide the mounting brackets to the front and to the rear. Set the cover rail onto the truck bed rail and align the bracket holes with the factory cleat mounting holes.



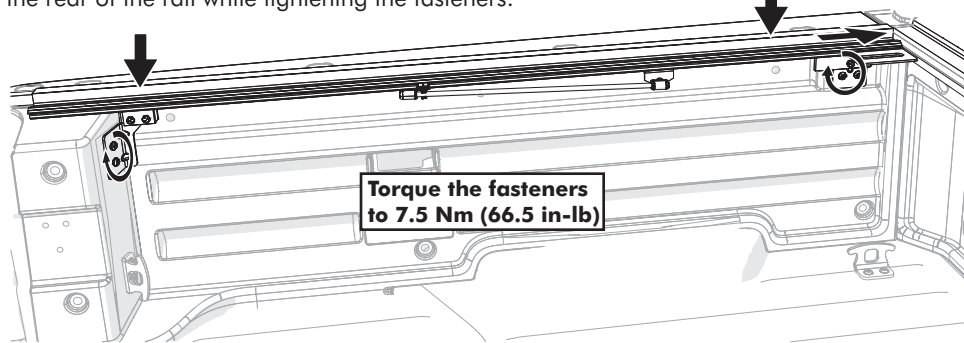
3

Thread the factory fasteners through the cover rail mounting brackets and into the factory holes where the cleats were mounted. Do not tighten fully.



4

With all four fasteners in place, start at the front and push down and forward on the rail while tightening. Push down on the rear of the rail while tightening the fasteners.



Torque the fasteners to 7.5 Nm (66.5 in-lb)

INSTALLATION Supplement- Nissan, Toyota, Honda and RAM

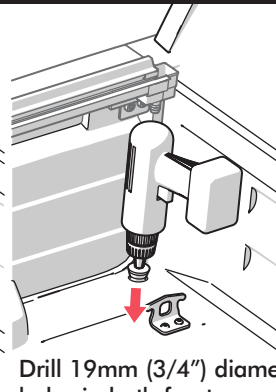
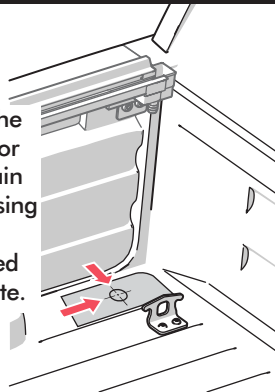
This supplement replaces steps 3-7 in the main install sheet for the vehicles noted

Read this guide before proceeding with the installation.

Honda Ridgeline 2017+

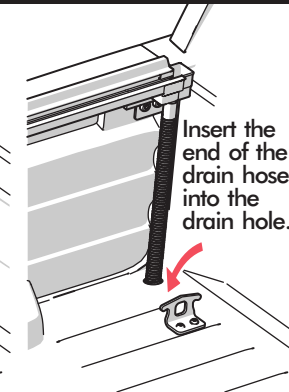
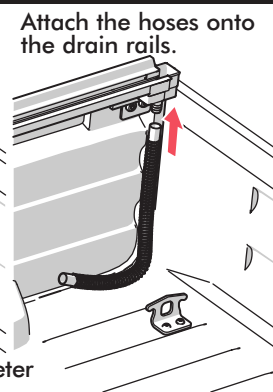
5

Mark the holes for the drain tube using the provided template.



Drill 19mm (3/4") diameter holes in both front corners.

Attach the hoses onto the drain rails.



Insert the end of the drain hose into the drain hole.

6

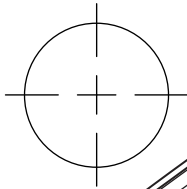
Repeat all of the steps for both sides. Return to the standard installation instructions. Follow step 2 for the bulkhead seal, then skip to step 8.

Torque the fasteners to 7.5 Nm (66.5 in-lb)

Drill Template Driver/Left side

Mark the holes for the drain tube using this template.

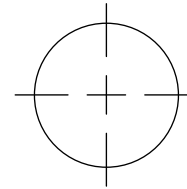
19mm (3/4") diameter hole



Drill Template Passenger/Right side

Mark the holes for the drain tube using this template.

19mm (3/4") diameter hole



When copying or printing, this dimension should be 6 3/4" or 171.45mm.

INSTALLATION Supplement- Nissan, Toyota, Honda and RAM

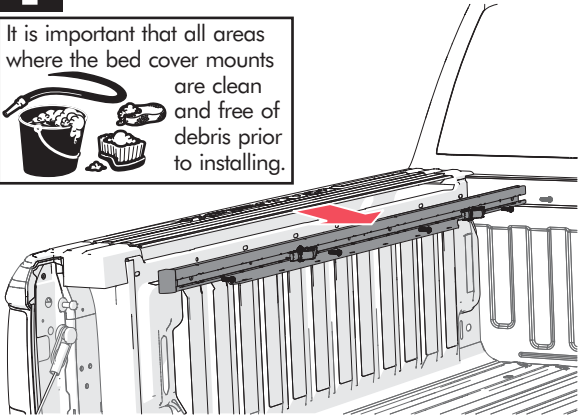
This supplement replaces steps 3-7 in the main install sheet for the vehicles noted

Read this guide before proceeding with the installation.

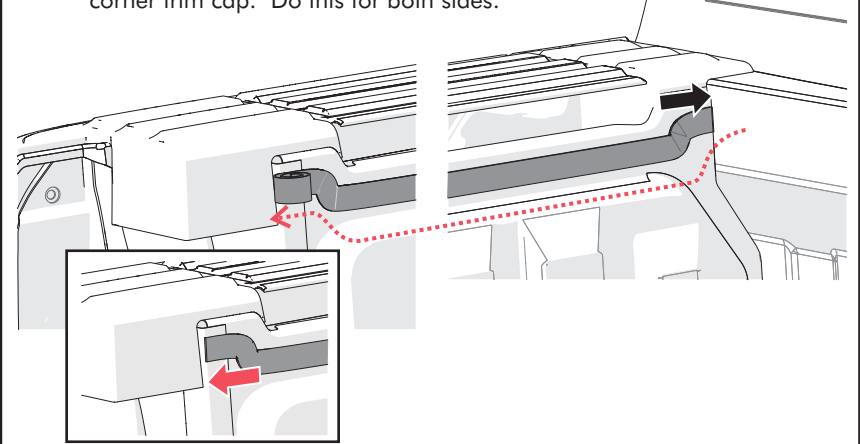
RAMBOX DT 2019+

1 Remove the factory accessory rails.

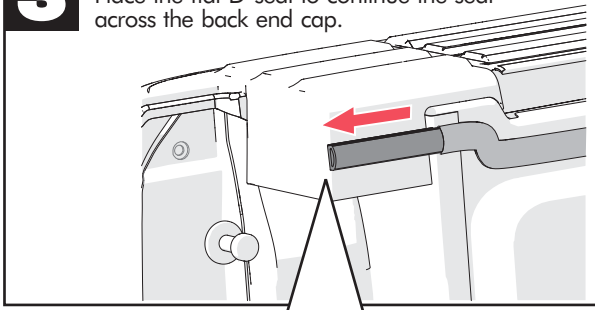
It is important that all areas where the bed cover mounts are clean and free of debris prior to installing.



2 Apply the roll of flat seal along the bed to be between the bed and the factory accessory rail. Make sure the seal extends beyond the ends of the accessory rail, from the bulkhead through to the back corner rail. Do this for both sides.



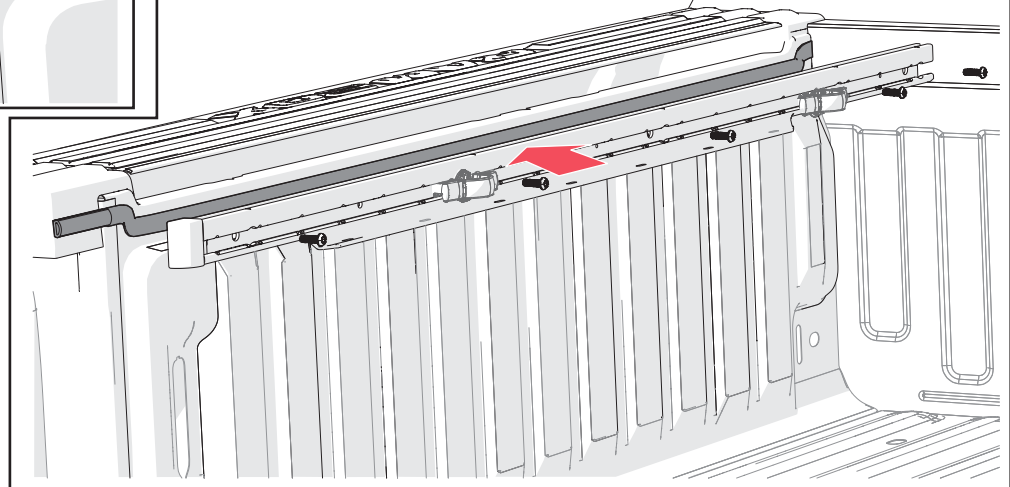
3 Place the flat D-seal to continue the seal across the back end cap.



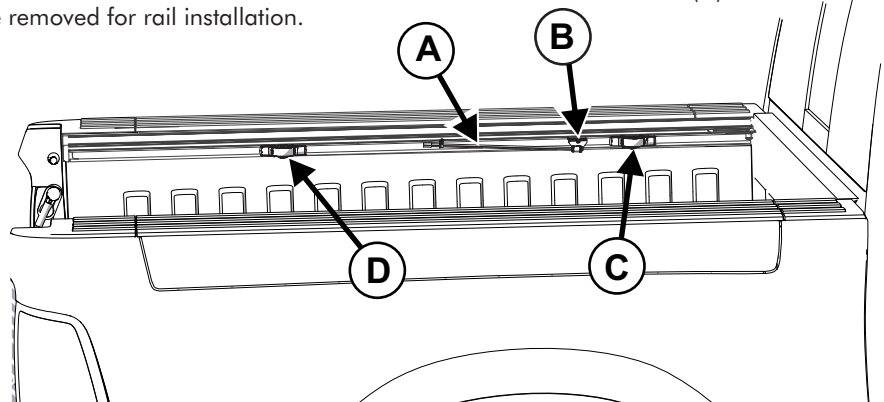
Trimming may be required.



4 With the seals in place on both sides, reinstall the factory accessory rails. Torque the fasteners to 66.5 in-lb (7,5Nm)



5 NOTE: In the rail installation, the folding cover prop rod (A) and prop rod bracket (B) will conflict with the factory tie-down cleats (C & D). If a tie-down cleat is needed forward in the bed it can remain in the front (C). Otherwise the tie-down cleats need to be removed for rail installation.



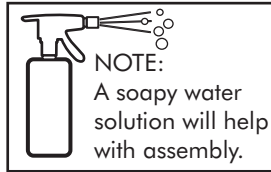
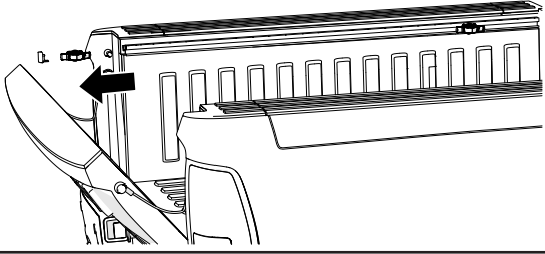
INSTALLATION Supplement- Nissan, Toyota, Honda and RAM

This supplement replaces steps 3-7 in the main install sheet for the vehicles noted

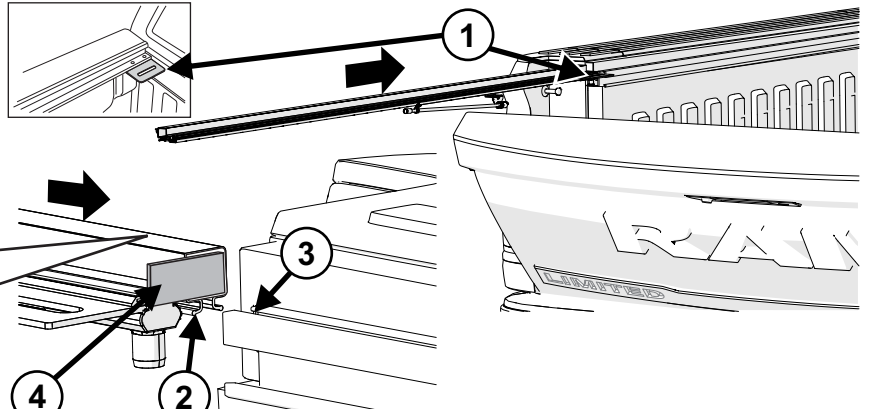
Read this guide before proceeding with the installation.

RAMBOX DT 2019+

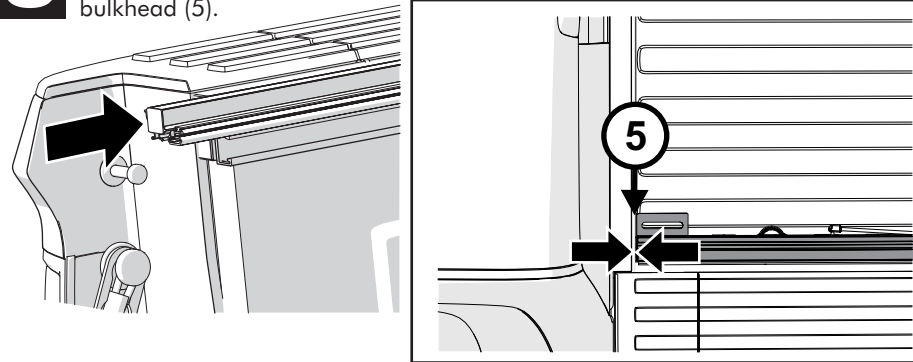
- 6** Remove the cargo rail end caps and tie-down cleats as noted in step 5.



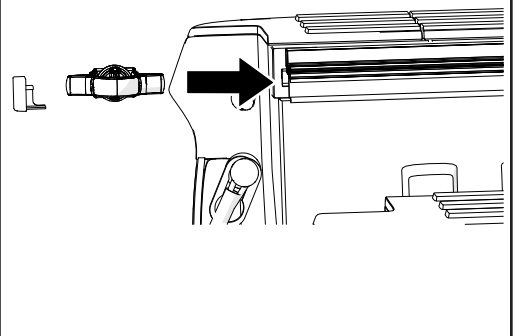
- 7** Slide the hard folding cover rails into the top of the cargo rails with the slotted bracket (1) in front and on the inside of the truck bed. The hard folding cover rails use the rounded clip ends (2) to spring into the cargo rail groove (3).



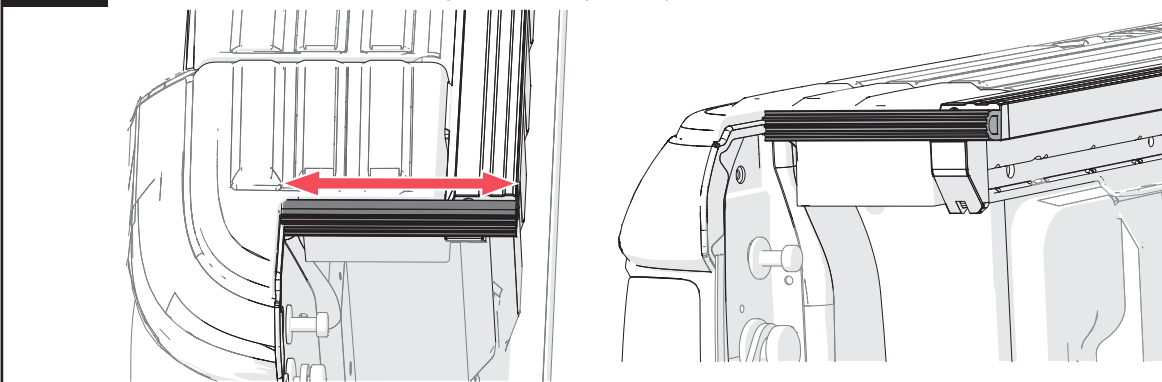
- 8** Slide the hard folding cover rails forward until the foam seal (4) contacts the bulkhead (5).



- 9** Replace the tie-down cleats and the cargo rail end caps, both sides.



- 10** Adhere the ribbed D seal in the end cap corner to span the mounting rail caps and rear trim panel. Add one to each side. Trimming the seal may be required.



- 11** Repeat all of the steps for both sides. Return to the standard installation instructions. Follow step 2 for the bulkhead seal, then skip to step 8.