

# BAKflip

BEST-SELLING HARD FOLDING COVER

# FORD MAVERICK

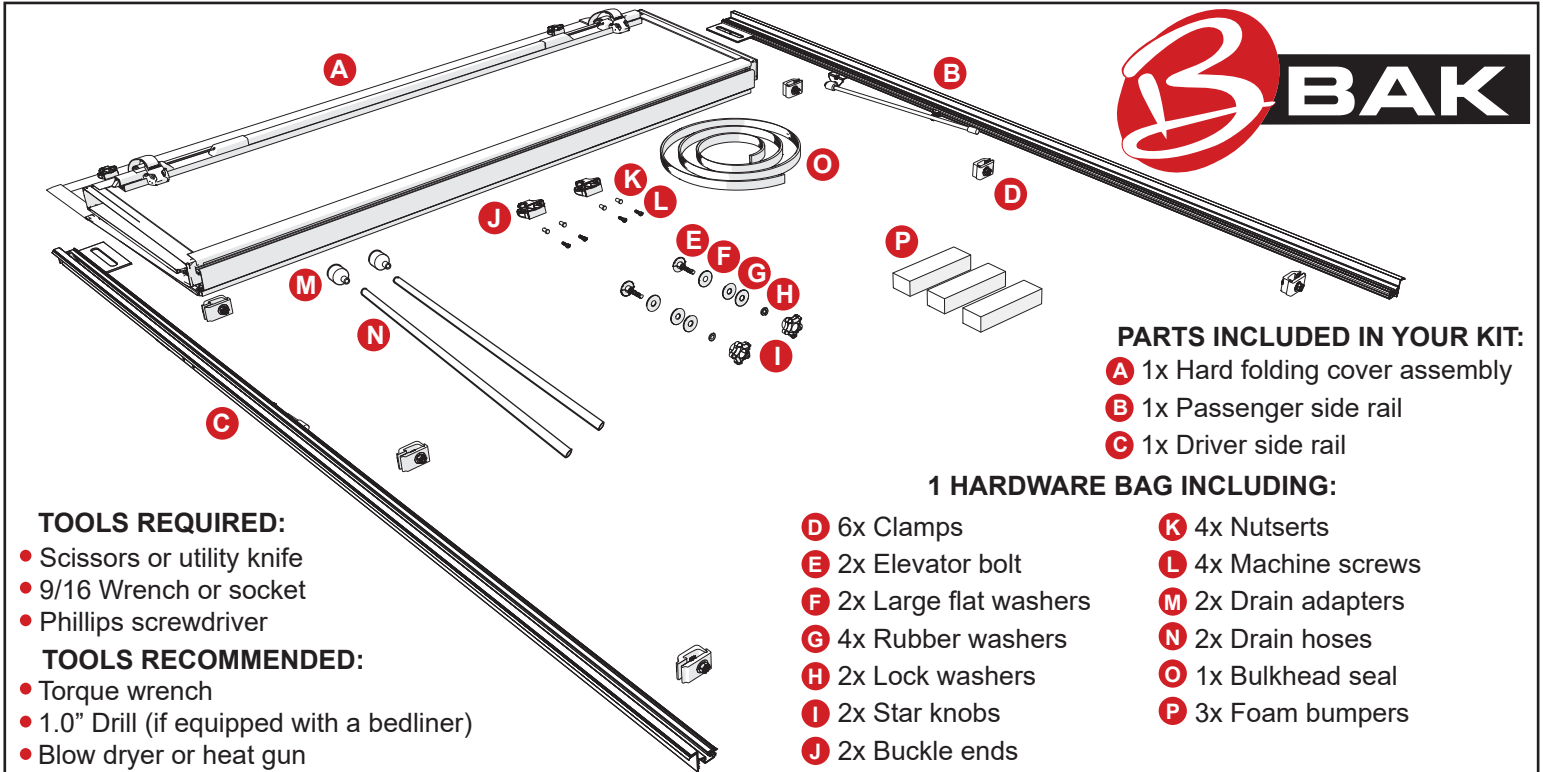
Any damaged or missing parts?

Parts will be shipped to you directly.

Call 818-365-9000 Mon - Fri 8:30 am - 7 pm EST

or email [support@bakindustries.com](mailto:support@bakindustries.com)

G2 F1 FIBER MAX MX4



**PARTS INCLUDED IN YOUR KIT:**

- A** 1x Hard folding cover assembly
- B** 1x Passenger side rail
- C** 1x Driver side rail

**1 HARDWARE BAG INCLUDING:**

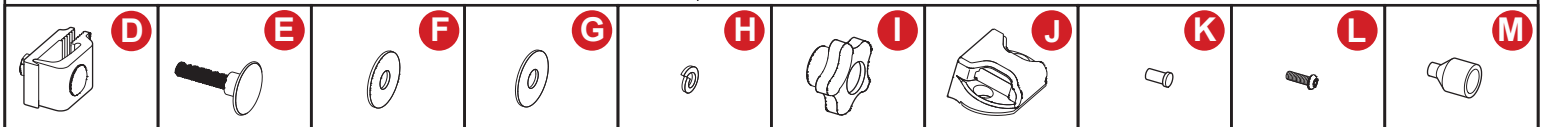
- D** 6x Clamps
- E** 2x Elevator bolt
- F** 2x Large flat washers
- G** 4x Rubber washers
- H** 2x Lock washers
- I** 2x Star knobs
- J** 2x Buckle ends
- K** 4x Nutserts
- L** 4x Machine screws
- M** 2x Drain adapters
- N** 2x Drain hoses
- O** 1x Bulkhead seal
- P** 3x Foam bumpers

**TOOLS REQUIRED:**

- Scissors or utility knife
- 9/16 Wrench or socket
- Phillips screwdriver

**TOOLS RECOMMENDED:**

- Torque wrench
- 1.0" Drill (if equipped with a bedliner)
- Blow dryer or heat gun



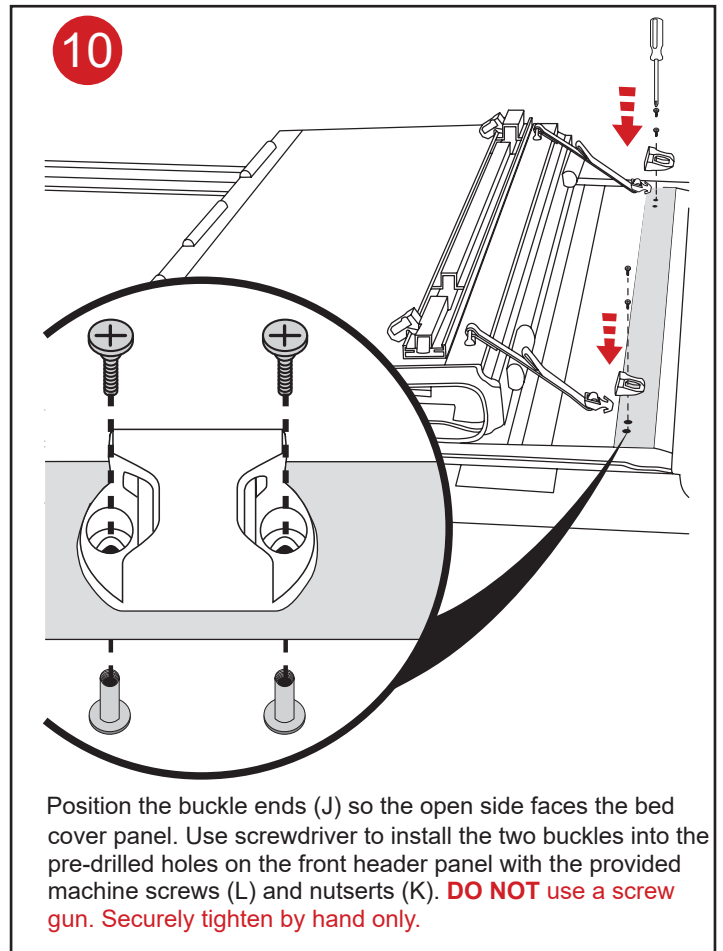
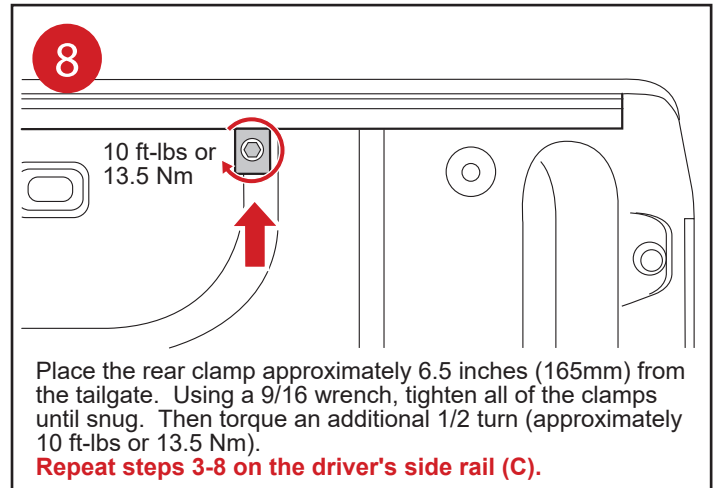
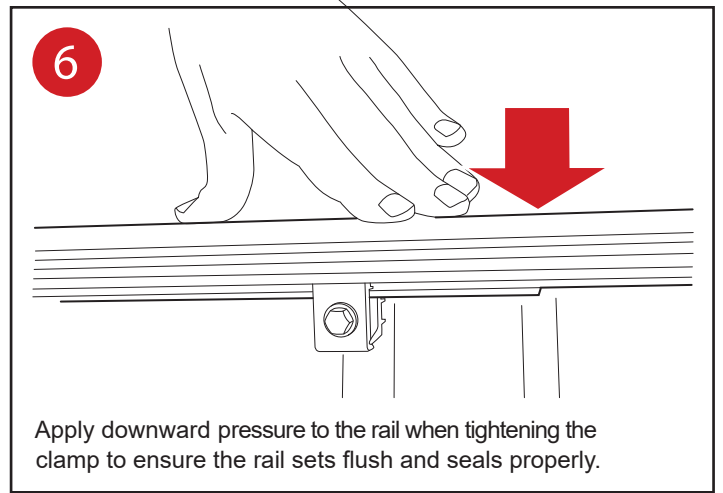
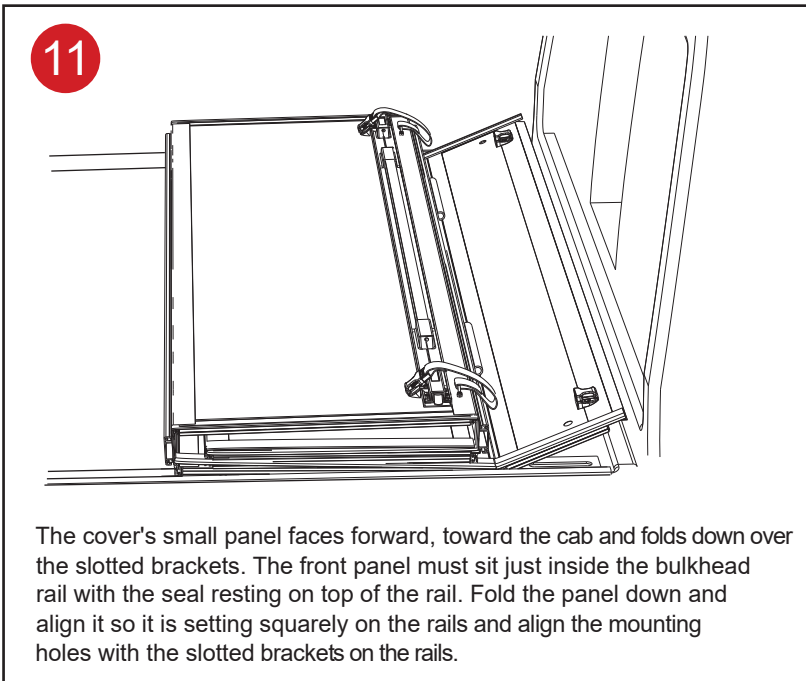
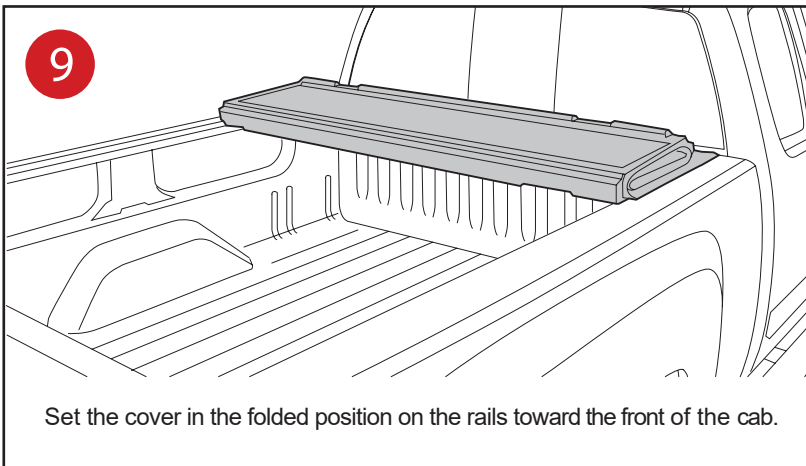
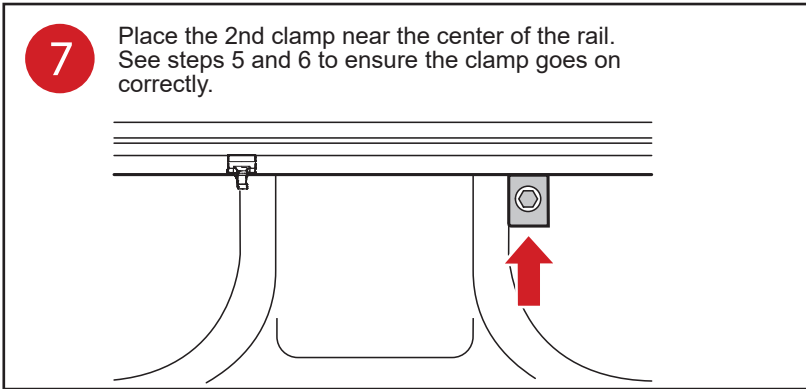
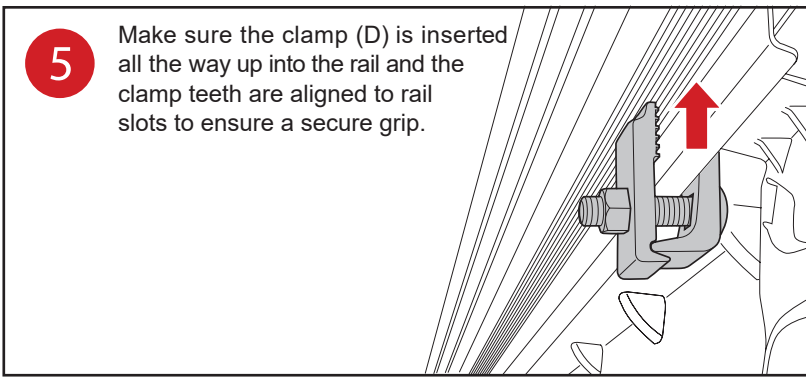
**1** If vehicle **IS** equipped with a drop-in bedliner remove liner and proceed to included "Bedliner & Drain Tube Routing Guidelines" now. If vehicle has **NO** drop-in bedliner proceed to step 2.

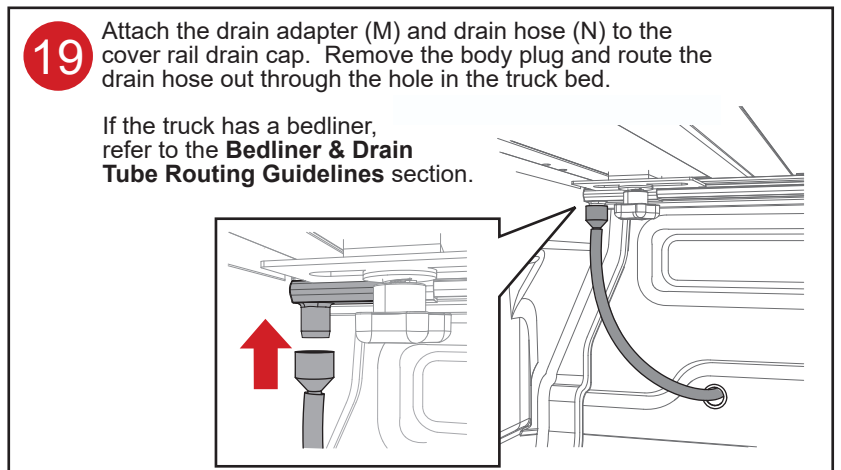
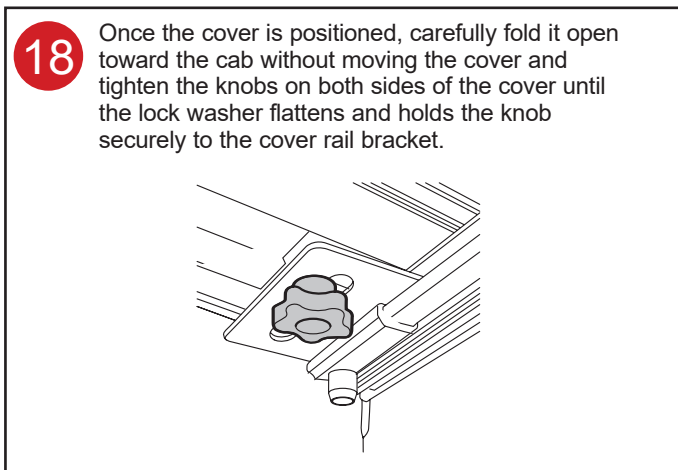
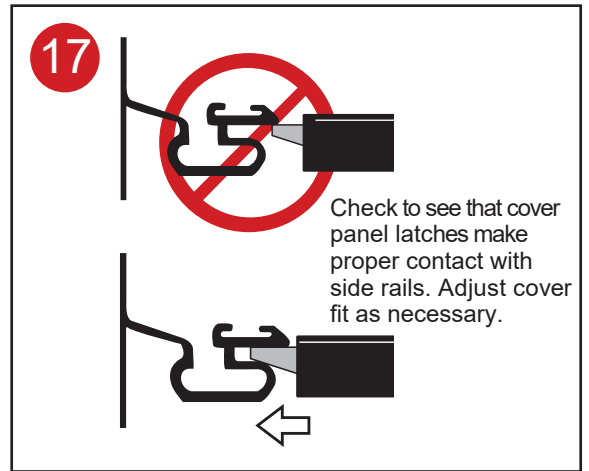
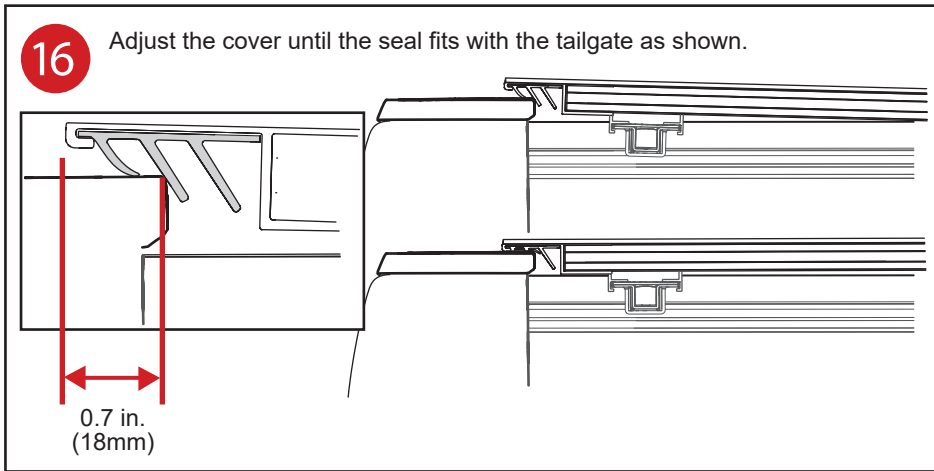
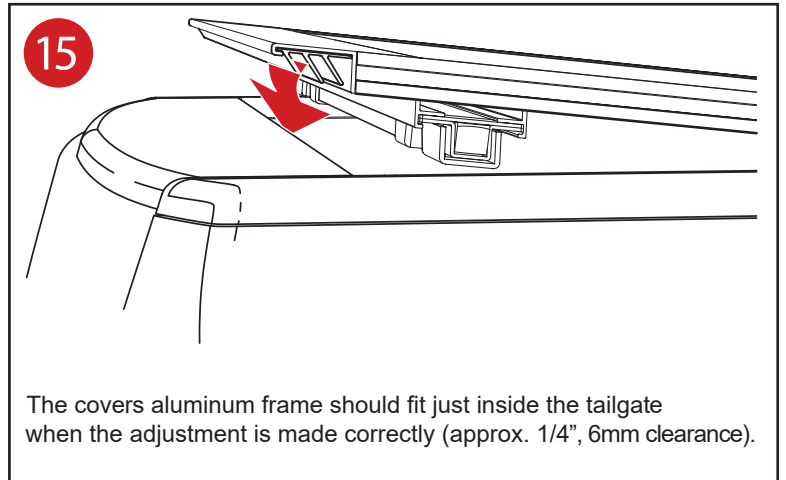
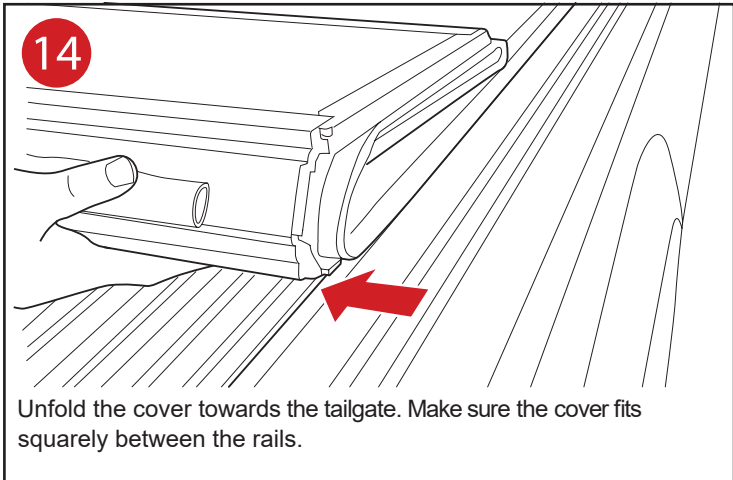
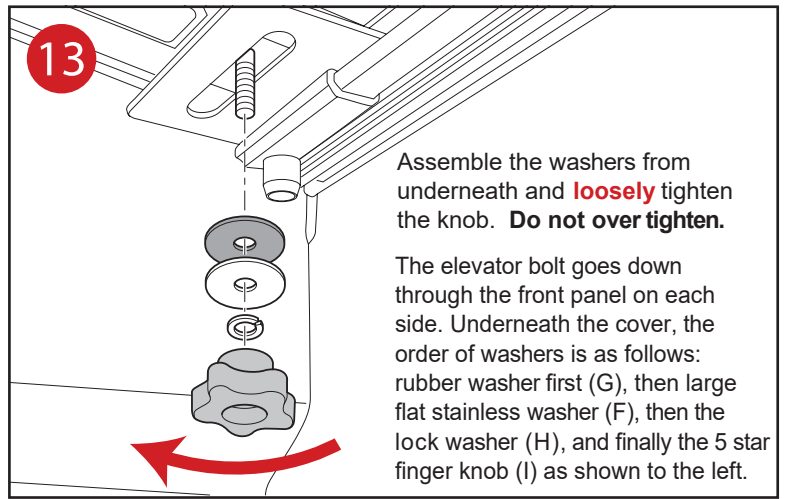
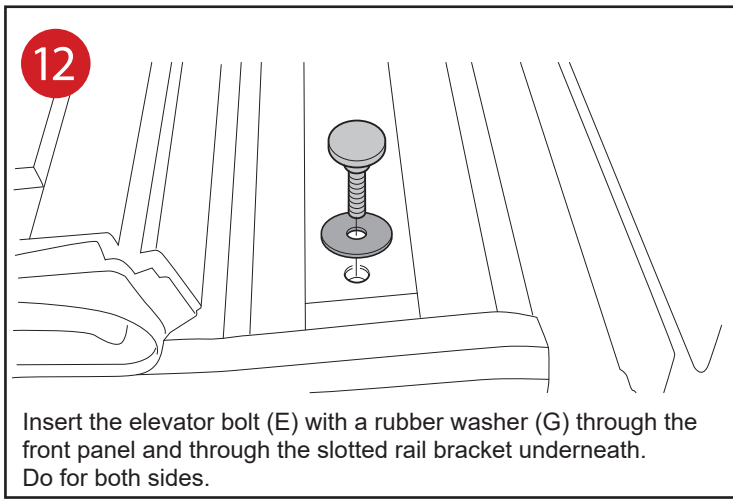
**2** Clean the top of the bulkhead to install the seal (O). Peel the backing off and adhere the seal from one bedrail edge to the other. Remove any excess with scissors or utility knife. If the truck has a drop-in bedliner, no seal will be needed.

**3** Close the tailgate. Place the passenger side rail (B) on the truck bed rail with the slotted bracket all the way forward with the slotted bracket on the inside as shown.  
**NOTE: The rail should be completely level.**

**4** Make sure the rail is clamped square as shown. Using a 9/16 wrench start at the cab and place the first clamp (D) 4-6 inches (100-150mm) from the bulkhead.







20

Install the three foam bumpers (P) along the top edge of the cover where it meets the truck cab.

The foam bumpers must be placed 1.0" (25.4mm) from the edge of the panel and touch the glass surface only. They should not touch any painted surface.

1.0", (25.4mm)

**CAUTION:** Improperly locating the foam blocks could cause paint damage. Lost or missing bumpers should be replaced as damage could occur otherwise.

21

Sometimes, your side seals of your cover will appear to be wrinkled shortly after initially installing the cover. To assist seals in laying flat you can leave your truck in the sun, or to expedite, just apply heat with a hair dryer or heat gun.

## IMPORTANT: Safe operation and use

### Tonneau Cover Positions While Operating Vehicle

Prior to vehicle operation, the truck bed cover **MUST** be properly secured. It is recommended to keep the truck bed cover in the closed position and secured when not in use.

#### CLOSED POSITION

All panels must be closed and **FULLY LATCHED** to tonneau side rail. All panels must be flat and latches engaged.

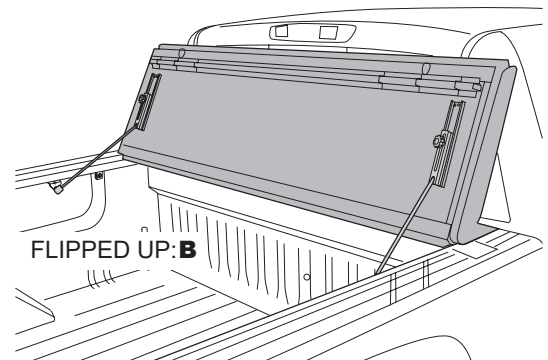
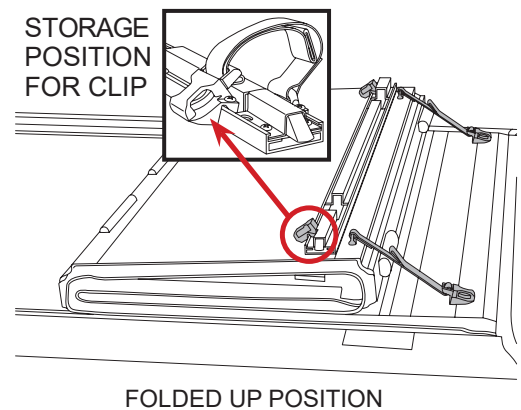
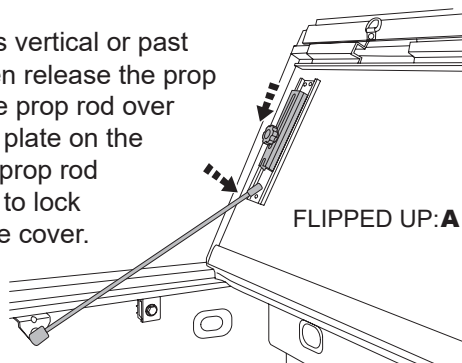
#### FOLDED UP POSITION

To drive with your cover in the folded up position, simply make use of the tie down straps and buckles provided with your cover. Ensure **BOTH** buckle clips are fully inserted into the buckle ends located on the front header panel of the cover and adjust the straps to ensure the cover is secure during vehicle operation. **IMPORTANT NOTICE:** The clips should be secured in the storage position buckle ends located on the cover latch housing when not in use.

#### FLIPPED UP POSITION

**A)** Fold the cover open and lift it until it's vertical or past 90 degrees towards your truck cab. Then release the prop rod that is attached to your rail. Fold the prop rod over and position it firmly against the vertical plate on the underside of your cover. Then slide the prop rod locks downwards and tighten the knobs to lock into position. Do this on both sides of the cover.

**B)** Your cover should be firmly in position with little to no movement once the prop rods are locked.





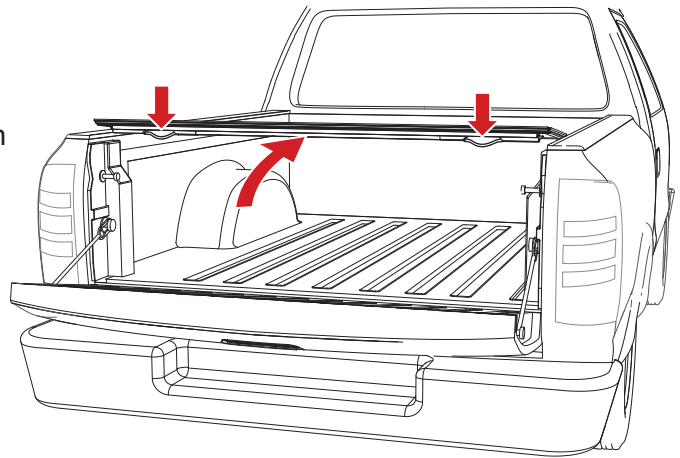
## Tail Panel Operation

### TO CLOSE THE TAILGATE PANEL

- The tailgate can be closed with the bed cover either up or down for universal operation.

### TO OPEN THE TAILGATE PANEL

- Open the tailgate and reach under the panel for the cable at the ends of the panel housing.
- Pull down on either cable to release both rear latches with one hand while lifting the panel with the other hand.



## DO NOT ATTEMPT TO DRIVE WITH THE TAIL PANEL IN THE PARTIALLY OPEN POSITION!

### Additional Important Operating Tips:

- The bed cover **MUST** be free of foreign material including snow and ice before opening panels.
- Do **NOT** tow your vehicle from the rear with the bed cover on your truck.
- Do **NOT** operate vehicle with objects on top of cover.

## FAILURE TO FOLLOW THESE CAUTIONS MAY RESULT IN SEVERE DAMAGE AND WILL VOID YOUR WARRANTY!



Remove any snow or foreign matter before folding cover.



Do **NOT** tow your vehicle from the rear with this cover on your truck.

## CARE AND MAINTENANCE

BAKFlip bed covers are made from durable materials and require simple care to ensure a long life of performing well and looking great.

### Cleaning the Top (Washing)

Standard automotive soap and water with a soft sponge or cloth is recommended for cleaning. Shammy dry to keep the finish polished and brilliant. Wax is **NOT** recommended as it tends to fill in cracks and crevices, which may affect the textured panel finish. Do **NOT** use any harsh cleaners or abrasives.

### Maintenance

It is recommended that you periodically check that your cover is securely attached to your truck bed. Inspect the clamps and front mounting bolts to ensure they were properly installed and have not come loose or knocked out of adjustment during operation. Covers that are used with high frequency or that are subject to the vibrations and impact from rough roadways can cause the cover to require adjustment.


### Lubricating the Latches

It is recommended that you periodically inspect and service the latches on each panel. Clean away any excess dirt or grime and lubricate with silicone spray. Ensure the latches move freely in and out to properly engage the side rail and provide proper performance with optimum security. Be careful not to overspray the cover. Wipe away any excess around the latch location.



# Warranty

BAK® Industries (“BAK”) warrants your BAKFlip Hard Folding Cover to be structurally free from defects in material and workmanship for the period as outlined in the table below from the retail date of purchase. Warranty registration must be on file and/or proof of original purchase (detailed and dated receipt) required for warranty service. Warranty is non-transferable and applies to the original purchaser of the BAK product only

PRODUCT	WARRANTY PERIOD	<b>REGISTER YOUR WARRANTY NOW AT BAKINDUSTRIES.COM</b>	
BAKFlip G2	3 Year Limited Warranty		
BAKFlip F1	5 Year Limited Warranty		
BAKFlip FiberMax	3 Year Limited Warranty		
BAKFlip MX4	5 Year Limited Warranty		

BAK reserves the right to determine whether a product needs to be repaired or replaced. No labor or service allowance is given or implied. The warranty will be void if the product has been damaged by accident, unreasonable use, neglect, improper service/installation/removal, modifications, acts of God or normal wear and tear or other causes not arising out of defective materials or workmanship. BAK assumes no liability for injury, loss, incidental or consequential damages. BAK reserves the right to substitute an entire replacement system or provide other remedies than those listed in this warranty for discontinued products or other reasons. Shipping charges will apply for any repair or replacement.

BAK is committed to providing you with our best service at all times. Please feel free to contact us should you require any assistance with your BAK product.

## CARE AND MAINTENANCE

BAK Flip tonneaus are made from durable materials and require simple care to ensure a long life of performing well and looking great.

### Cleaning the Top (Washing)

Standard automotive soap and water with a soft sponge or cloth is recommended for cleaning. Shammy dry to keep the finish polished and brilliant. Wax is NOT recommended as it tends to fill in cracks and crevices, which may affect the textured panel finish. Do NOT use any harsh cleaners or abrasives.

### Treating the Vinyl Top

3M 303 Aerospace Protectant may be used to keep the vinyl surface clean and protected from the elements and will also remove any water spots that may have developed. 303 Aerospace not only protects against fading, discoloration and cracking from harmful UV rays, but repels dust and stains. Simply spray on and wipe dry for a beautiful, matte finish that protects your cover from road grime and dust.

### Maintenance

It is recommended that you periodically check your cover is securely attached to your truck bed. Inspect the clamps and front mounting bolts to ensure they were properly installed and have not come loose or knocked out of adjustment during operation. Covers that are used with high frequency or that are subject to the vibrations and impact from rough roadways can cause the cover to require adjustment.

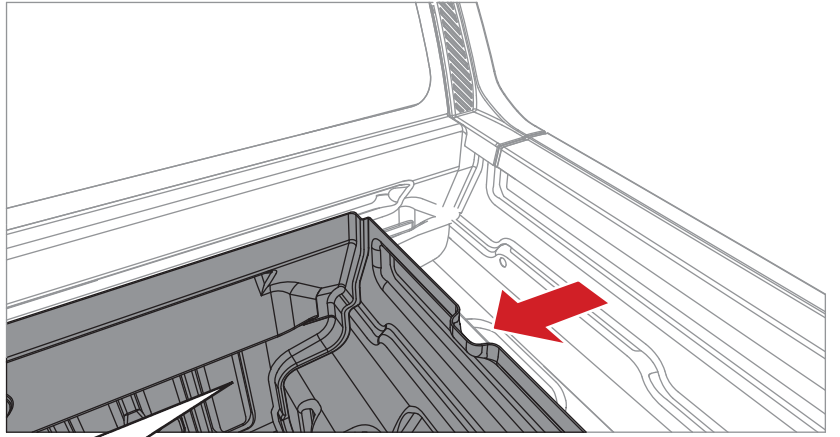
### Lubricating the Latches

It is recommended that you periodically inspect and service the latches on each panel. Clean away any excess dirt or grime and lubricate with silicone spray. Ensure the latches move freely in and out to properly engage the side rail and provide proper performance with optimum security. Be careful not to over spray the cover. Wipe away any excess around the latch location.

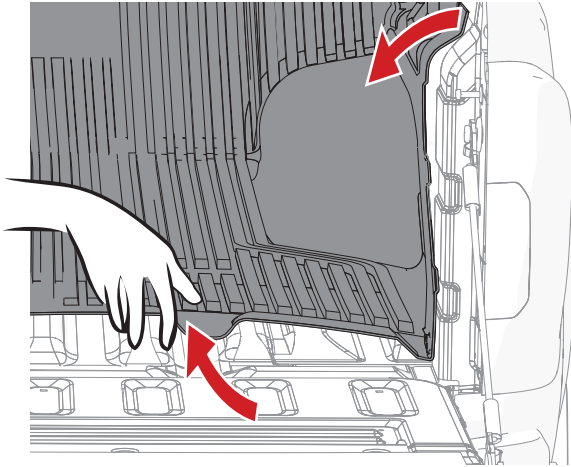


G2 F1 FIBER MAX MX4

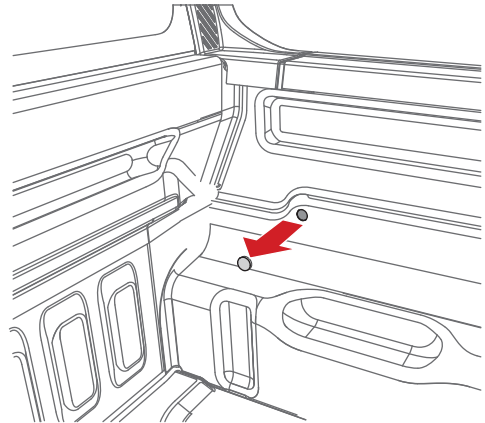
**1** To ensure proper drainage outside of the truck bed, it is necessary to remove the bedliner in order to drill a hole in the liner for access to the drain hole. Please note: The bedliner access hole location may vary depending on the bedliner type.



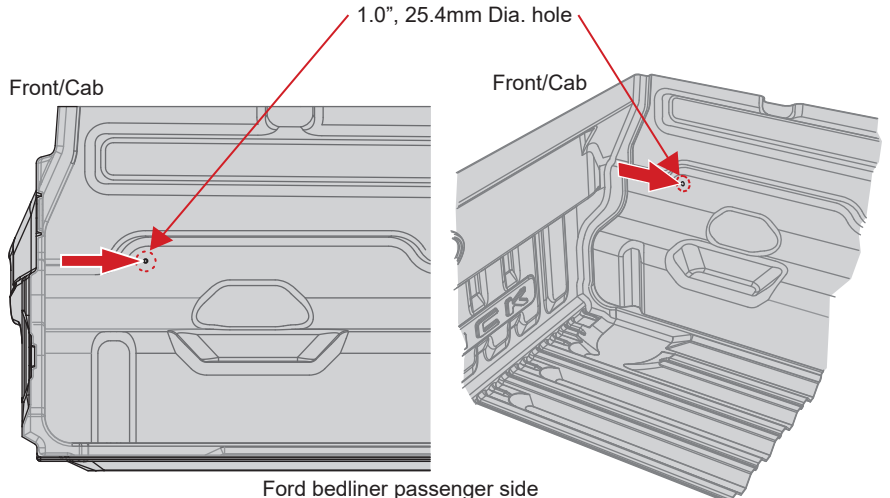
To simplify the bedliner removal, lift the liner up in the middle to disengage the sides of the liner from under the truck bed rail.



**2** Remove the body plug as shown below and use this hole for drain tube routing. Do this for both sides of the bed.

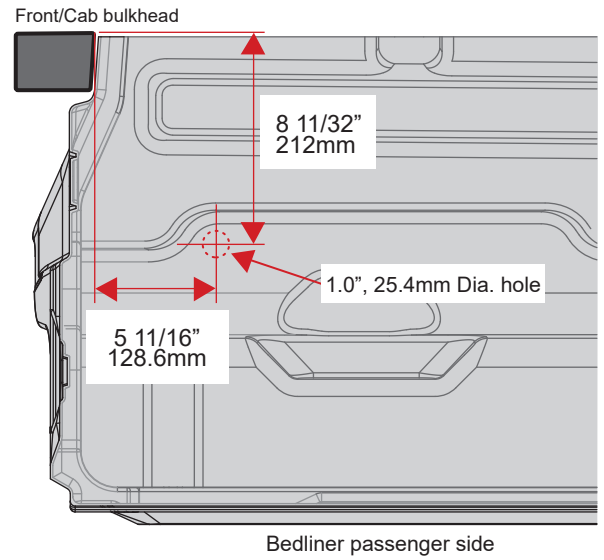


**3**  
**Official Ford Bedliner:** Drill a 1.0" (25.4mm) hole through the bedliner at the indicated location on an official Ford bedliner. There is a centering shape molded into the bedliner as a guide. Do this for both sides of the bed.



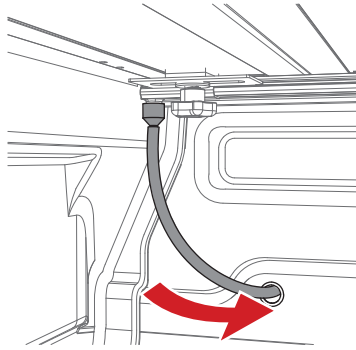
4

If it is a **non-Ford bedliner**, measure approximately 8 11/32" ( 212mm) down from the top of the bulkhead, and 5 1/16" ( 128.6mm) from the front of the bulkhead. Drill a 1.0" (25.4mm) hole at that point. Do this for both sides of the bed.



5

Reinstall the bedliner and in step 18 of the standard install instructions route the drain tubes through the drilled holes in the bedliner and through the hole in the bed wall. Do this for both sides of the bed.



6

Install the bed rails and cover at this time. Start at Step 2 in the **main installation guide** for further detail.

