



INSTALLATION INSTRUCTIONS FOR MOUNTING

LUVERNE GRILLE GUARD WITH THE FOLLOWING MODEL NO.:
331520/331523 & 341520/341523 ON:

2015 AND NEWER F-150 4WD & 2WD WITH TOW HOOKS SERIES TRUCKS

1. READ THE INSTRUCTIONS COMPLETELY AND CHECK TO MAKE SURE THAT ALL OF THE REQUIRED PARTS ARE ON HAND BEFORE STARTING THE INSTALLATION. THE CARTON SHOULD CONTAIN:
 - (1) OUTER RING PACKAGE
 - (1) OUTER RING ASSEMBLY
 - (1) UPRIGHT PACKAGE
 - (1) UPRIGHT ASSEMBLY, RH
 - (1) UPRIGHT ASSEMBLY, LH
 - (1) MOUNTING BRACKET, RH
 - (1) MOUNTING BRACKET, LH
 - (2) UPRIGHT COVERS (**CHROME GUARDS ONLY**)
 - (1) HARDWARE PACKAGE
 - (1) CUSTOMER SERVICE PACKAGE

REFER TO SHEETS #1, #2, #3 & #4 FOR GUARD ASSEMBLY & INSTALLATION INSTRUCTIONS 2-10

2. REMOVE THE RUBBER BOOTS SURROUNDING THE TOW HOOKS BY PULLING THE BACK AND SIDES OF THE BOOT OUT AND DOWN FROM THE LOWER AIR DAM. IF YOU LOOSEN THE SCREWS THAT HOLD THE LOWER AIR DEFLECTOR IT WILL MAKE IT EASIER TO REMOVE THE BOOTS.
3. **4WD VEHICLES OR 2WD VEHICLES WITH TOW HOOKS** – (**NOTE:** THE FASTENERS THAT COME WITH THE VEHICLE ARE LONG ENOUGH AND MAY BE USED TO MOUNT THE GRILLE GUARD BRACKETS TO THE FRAME OR YOU CAN USE THE FASTENERS INCLUDED WITH THE GRILLE GUARD.) LOOSEN AND REMOVE THE FRONT BOLT THAT SECURES THE TOW HOOK TO THE FRAME. LOOSEN THE REAR BOLT THAT SECURES THE TOW HOOK TO THE FRAME, ENOUGH SO THAT YOU CAN INSERT THE GRILLE GUARD MOUNTING BRACKET IN BETWEEN THE BOTTOM OF THE FRAME AND THE TOW HOOK. REINSTALL THE FRONT MOUNTING BOLT. FINGER TIGHTEN ONLY AT THIS TIME.
4. **2WD VEHICLES OR 4WD WITHOUT TOW HOOKS** – (**NOTE:** MOUNTING THIS GRILLE GUARD WILL REQUIRE THE USE OF A #202450 BRACKET KIT. THIS KIT REPLACES THE HARDWARE THAT IS PRESENT WHEN THE VEHICLE HAS TOW HOOKS. IT WILL ALSO BE NECESSARY TO CUT A HOLE IN THE LOWER AIR DAM FOR THE MOUNTING BRACKETS TO COME THROUGH.
5. INSTALL THE RIGHT HAND AND LEFT HAND MOUNTING BRACKETS (ITEM #4 & #5) USING TWO M12 X 1.75 X 55mm HEX HEAD BOLTS (ITEM #10), 7/16" FLAT WASHERS (ITEM #18), AND 1/2" LOCK WASHERS (ITEM #15) IN EACH BRACKET. AS SHOWN IN FIG. 1 & 2. HAND TIGHTEN ONLY AT THIS TIME.



(A LUVERNE Company)

1200 E. Birch St.

Brandon, SD 57005

202802 SHEET 1 OF 4 31DEC14

6. INSTALL THE LEFT HAND AND RIGHT HAND UPRIGHTS (ITEM #2 & #3) ON THE MOUNTING BRACKETS USING TWO 1/2"-13 X 3" ROUND HEAD BOLTS (ITEM #9), 1/2" SAE FLAT WASHERS (ITEM #17), AND 1/2" CAP NUTS (ITEM #13) IN EACH UPRIGHT, AS SHOWN IN FIG. 1 & 2. HAND TIGHTEN ONLY AT THIS TIME.
7. INSTALL THE RING (ITEM #1) BY LOWERING IT DOWN FROM THE TOP AND BEHIND THE UPRIGHTS, (TAKING CARE NOT TO SCRAPE THE ENDS OF THE RING AGAINST THE SIDE OF THE VEHICLE.) AND SLIDE THE RING INTO THE NOTCHES OF THE UPRIGHTS. FASTEN WITH UPRIGHT COVER (ITEM #16) (**CHROME GUARDS ONLY**), 7/16"-14 X 1-1/4" HEX BOLTS (ITEM #11) AND 7/16" SST FLAT WASHERS (ITEM #23) INTO THE 7/16"-14 CAPTIVE NUTS (ITEM #14) IN THE UPRIGHT MOUNTING PLATES.
8. CHECK THAT THE GRILLE GUARD IS CENTERED AND VERTICAL ON THE BUMPER AND THE UPRIGHTS ARE STRAIGHT UP AND DOWN. THEN TIGHTEN THE FOUR 7/16" BOLTS SECURING THE RING TO THE UPRIGHTS. TIGHTEN THE BOLTS.
9. TIGHTEN THE FOUR 1/2" CAP NUTS (ITEM #13) SECURING THE UPRIGHTS TO THE GRILLE GUARD MOUNTING BRACKETS.
10. TIGHTEN THE FOUR BOLTS THAT SECURE THE MOUNTING BRACKETS TO THE FRAME.

SERVICE PARTS LIST

ITEM	PART NO.	QTY	DESCRIPTION
1	202804	1	RING WELDMENT – CHROME
1	202811	1	RING WELDMENT – BLACK
2	202790	1	UPRIGHT WELDMENT – CHROME, LH
2	202809	1	UPRIGHT WELDMENT – BLACK, LH
3	202791	1	UPRIGHT WELDMENT – CHROME, RH
3	202810	1	UPRIGHT WELDMENT – BLACK, RH
4	202797	1	MOUNTING BRACKET - LH
5	202798	1	MOUNTING BRACKET - RH
6	202038	2	TAPPING BAR – 11.500"
7	202243	2	TAPPING BAR – 14.000"
8	202383	2	RUBBER EXTRUSION – MACHINED, 330712
9	107231	4	ROUND HEAD BOLT – 1/2"-13 X 3, SST
10	105107	4	HEX HEAD SCREW – M12 X 1.75 X 55mm, ZP
11	105939	4	HEX HEAD SCREW - 7/16"-14 X 1-1/4", SST
12	103715	10	HEX WASHER HEAD SCREW – 1/4"-20 X 5/8", ZP
13	104994	4	HEX CAP NUT – 1/2"-13, SST
14	100083	4	CAPTIVE NUT – 7/6"-14
15	100121	4	LOCK WASHER – 1/2", ZP
16	202808	2	UPRIGHT COVER (CHROME GUARDS ONLY)
17	104995	4	FLAT WASHER – SAE, 1/2", SST
18	100081	4	FLAT WASHER – 7/16", ZP
19	105293	4	TUBE PLUG – Ø1-1/4"
20	106901	1	DECAL – MATTE BLACK, RH, 330460
21	106902	1	DECAL – MATTE BLACK, LH, 330460
22	100252	1	DECAL – LOGO, 1 X 3
23	103286	4	FLAT WASHER – 7/16", SST

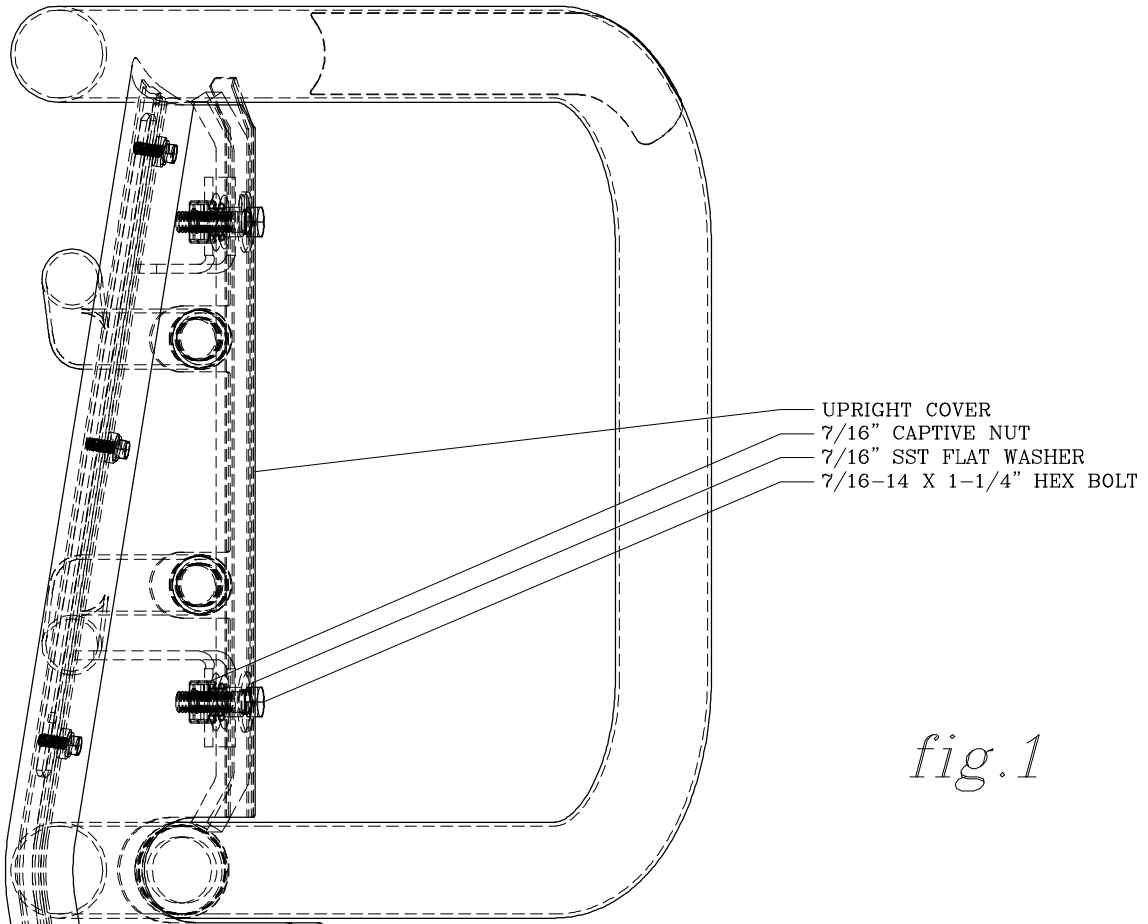


(A LUPERNE Company)

1200 E. Birch St.

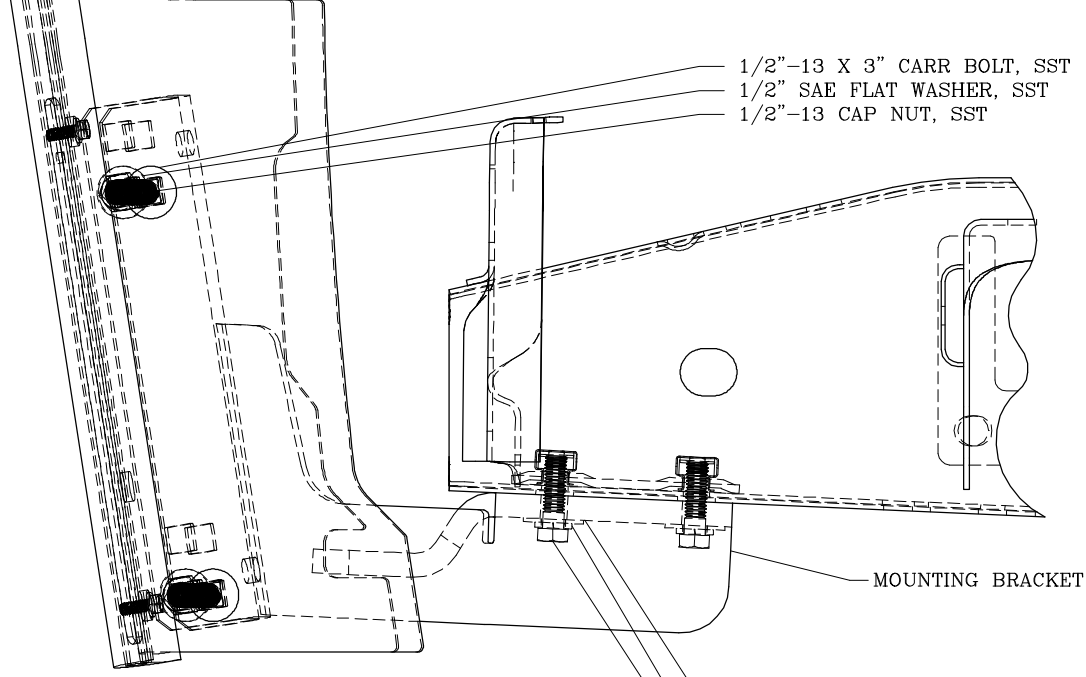
Brandon, SD 57005

202802 SHEET 2 OF 4 31DEC14



- UPRIGHT COVER
- 7/16" CAPTIVE NUT
- 7/16" SST FLAT WASHER
- 7/16-14 X 1-1/4" HEX BOLT

fig.1



- 1/2"-13 X 3" CARR BOLT, SST
- 1/2" SAE FLAT WASHER, SST
- 1/2"-13 CAP NUT, SST

MOUNTING BRACKET

- 7/16" FLAT WASHER, ZP
- 1/2" LOCK WASHER, ZP
- M12 X 1.75 X 55mm HEX BOLT, ZP



(A LIVERNE Company)

1200 E. Birch St.

Brandon, SD 57005

SERVICE PARTS LIST

MODEL NO. - 331520/331523
 MODEL NO. - 341520/341523

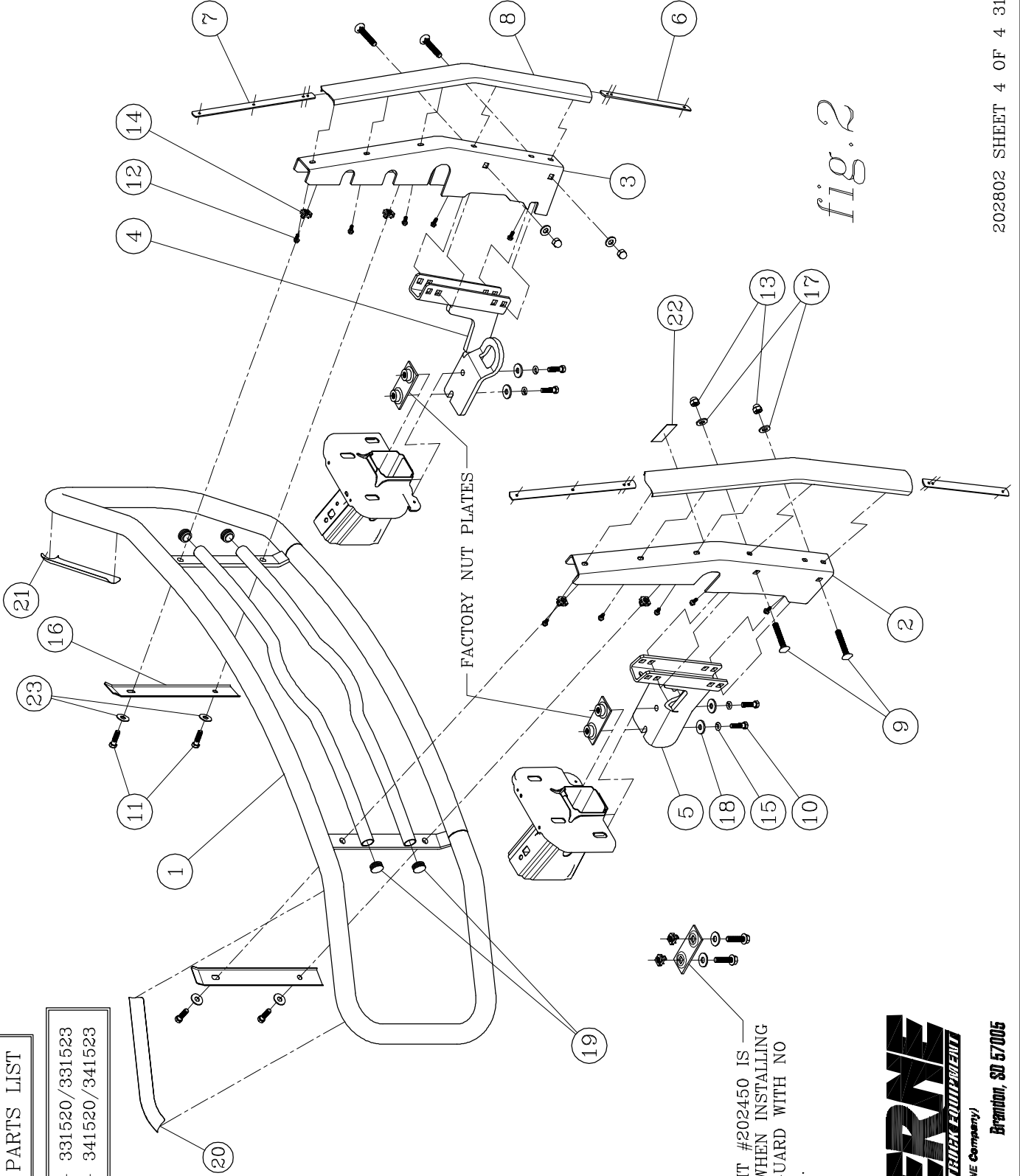


fig. 2



1200 E. Birch St.
 Brandon, SD 57005