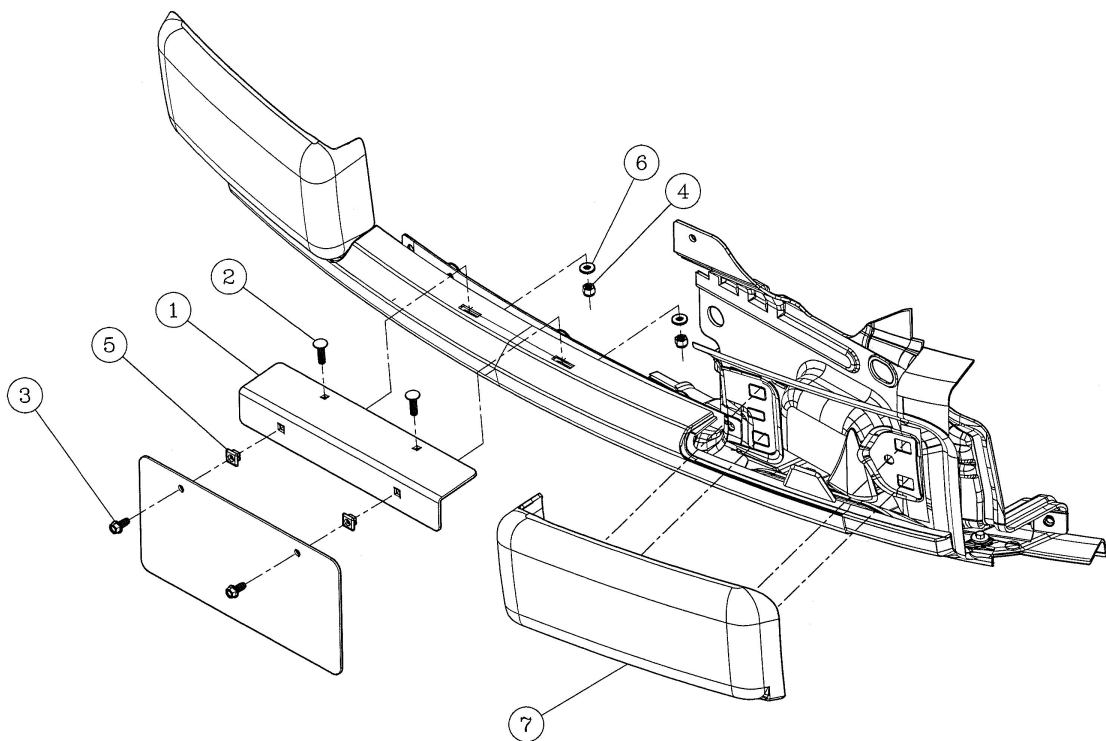


## INSTALLATIONS INSTRUCTIONS FOR MOUNTING

LUVERNE GRILLE GUARD LICENSE PLATE RELOCATION KIT WITH THE FOLLOWING MODEL NO:  
391120 ON:

2011 AND NEWER FORD F-150 PICKUPS WITH THE ECOBOOST ENGINE

1. READ THE INSTRUCTIONS COMPLETELY AND CHECK TO MAKE SURE THAT ALL OF THE REQUIRED PARTS ARE ON HAND BEFORE STARTING THE INSTALLATION. THE CARTON SHOULD CONTAIN:
  - (1) PLASTIC BUMPER POD, LH
  - (1) PLASTIC BUMPER POD, RH
  - (1) LICENSE PLATE MOUNTING BRACKET
  - (1) FASTENER PACKAGE
2. REMOVE THE PLASTIC LICENSE PLATE BRACKET FROM THE LEFT SIDE OF THE VEHICLE AND REPLACE WITH THE LH BUMPER POD (ITEM #7) FROM THE LICENSE PLATE RELOCATION KIT.
3. ATTACH THE LICENSE PLATE BRACKET (ITEM #1) (#202551) TO THE VEHICLE BUMPER WITH THE 1/4"-20 X 3/4" CARRIAGE BOLTS (ITEM #2) (#103135), 1/4" FLAT WASHERS (ITEM #6) (#101369) AND 1/4"-20 NYLOCK NUTS (ITEM #4) (#101325).
4. INSERT THE PLASTIC NUT INSERTS (ITEM #5) (#100170) INTO THE LICENSE PLATE MOUNTING BRACKET. MOUNT THE LICENSE PLATE TO THE BRACKET WITH THE 1/4"-20 X 5/8" SELF TAPPING SCREWS (ITEM #3) (#103715).



**LUVERNE**  
TRUCK EQUIPMENT

(A LUVERNE Company)

1200 E. Birch St.

Brandon, SD 57005

202553 SHEET 1 OF 1 03MAR11