

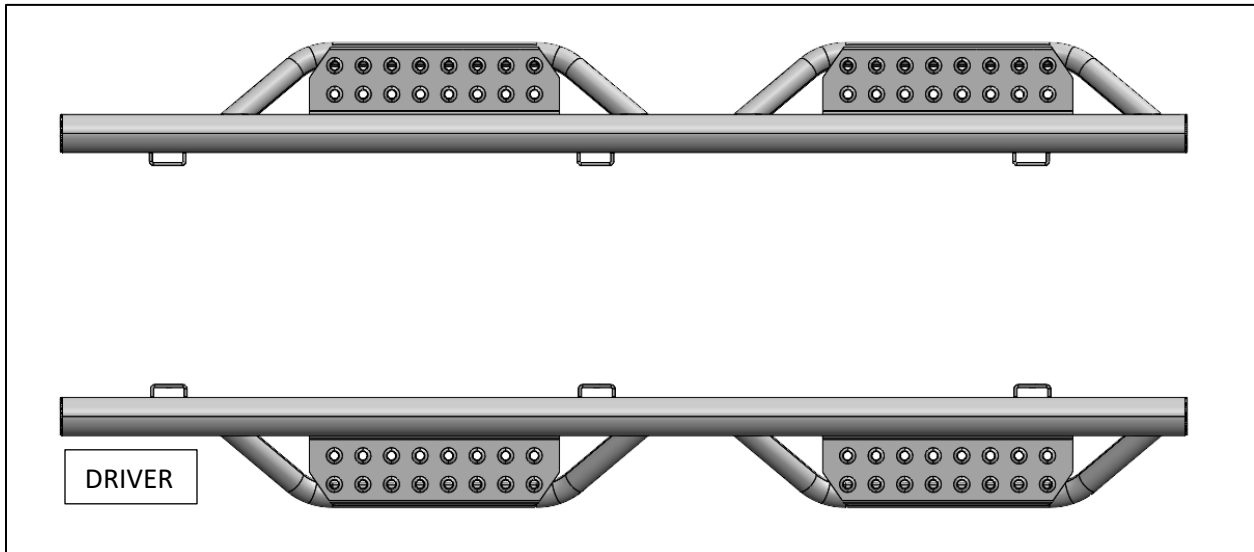
I-SHEET PART NUMBER: INST-00256
 PART NUMBER: 518416612
 PRODUCT: **HOOP STEEP**
 APPLICATION: **JEEP JL 4 DOOR**

HARDWARE DESCRIPTION	QTY.
KIT# HWKT-10010X	
M8x30mm flanged hex bolt with washer	6
M8x25mm Flanged hex head bolt (Black zinc)	12
M8 flanged nuts	12
10MM Carriage bolt	12
10MM Flanged nut	12

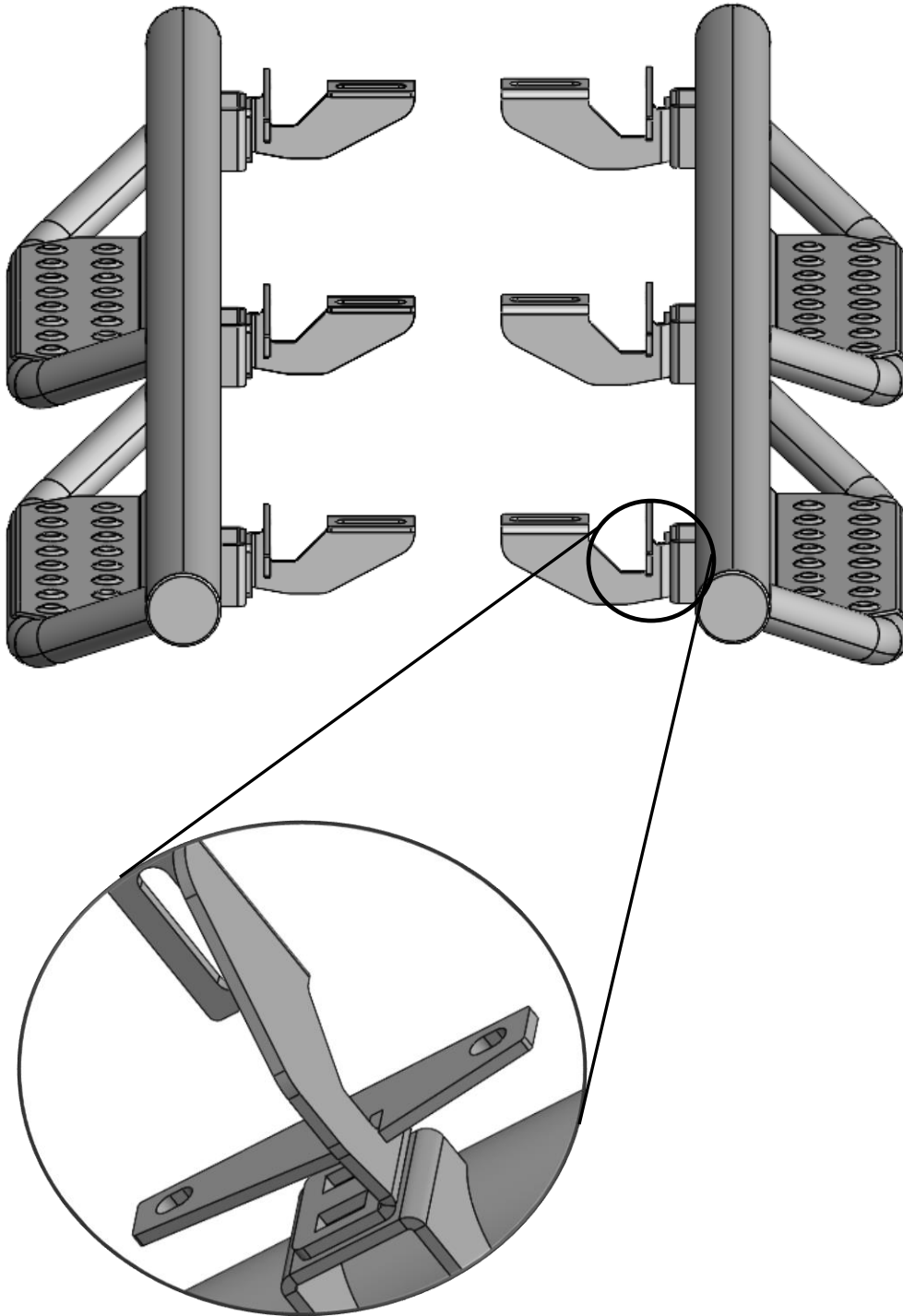


PARTS INCLUDED	QTY
DRIVER SIDE	1
PASSENGER SIDE	1
Mounting bracket	6

Step 1. Identify the driver side step.



Step 2. Install the (x6) mounting brackets to each attachment point on the main tube and leave loose for now.



Step 3. Remove the factory running board and discard.



Step 4. Carefully raise step up into position and align the brackets with the factory mounting points with the horizontal part of the bracket on the outside of the pinch weld.

Step 5. Next, start one of the supplied M8x30mm hex head flanged bolt and washer starting with the center bracket in the factory threaded hole and leave loose.

Step 6. Start two M8x25mm black zinc flanged bolts and two M8 flanged nuts in the pinch weld and leave loose for final adjustment.



Step 7. Continue installing the rest of the hardware in the remaining brackets and leave loose.

Step 8. Adjust the nerf-step where the main bar is level with the body of the vehicle.

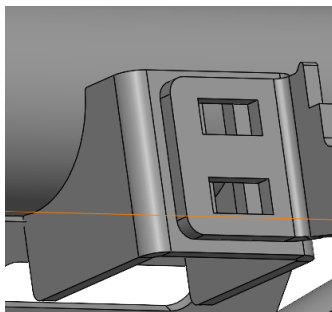
Step 9. First, tighten all the hardware that attaches the bracket to the pinch weld of the vehicle.



Step 10. Next, tighten the remaining hardware that attaches the bracket to the upper body mount.



Step 11: After final adjustment, tighten all three brackets at the main



Step 12. Repeat steps 2-11 for the passenger side.