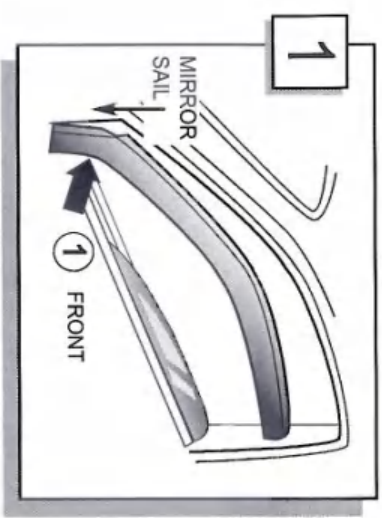


FRONT DOOR INSTALLATION

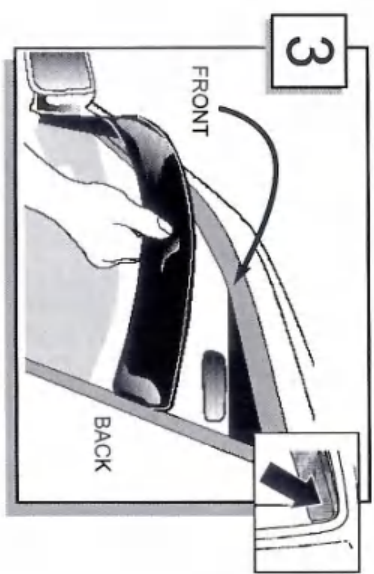
IMPORTANT: BEFORE FITTING PRODUCT READ INSTRUCTION FULLY.
THE DOOR WINDOW MUST BE FULLY DOWN WHEN INSTALLING THE WINDOW VISOR.



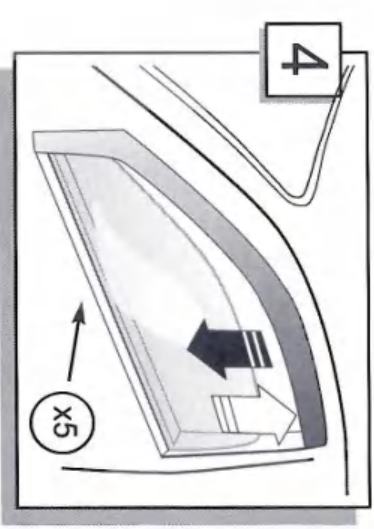
• Fit front end of **WINDOW VISOR** first at the mirror sail area of the door.



• Fit the front of **WINDOW VISOR** into the window channel starting at the bottom corner of window channel at the mirror sail area.
• Rotate part into window channel.
• Ensure that the bottom edge of the **WINDOW VISOR** sits outside of the plastic door trim as per step C.



• Fit rear section of **WINDOW VISOR** into channel, as shown.



• Wind window up and down several times, to ensure a secure fit.

INSTALLATION INSTRUCTIONS

IN-CHANNEL SLIMLINE WINDOW VISOR™

IMPORTANT

- When fitting the **WINDOW VISOR** it will be necessary to bend the **WINDOW VISOR** to enable fitment into the rear section of the door channel, working from the front to the back.
CARE MUST BE TAKEN AS THE PRODUCT COULD BREAK.
- Once installed gently push the **WINDOW VISOR** upwards into the window channel.

• **TO REMOVE:** Gently release the front end of **WINDOW VISOR** from the mirror sail area and then remove **WINDOW VISOR** from the back of door.

To Clean: Use mild detergent and water solution. (Do **NOT** use solvents).

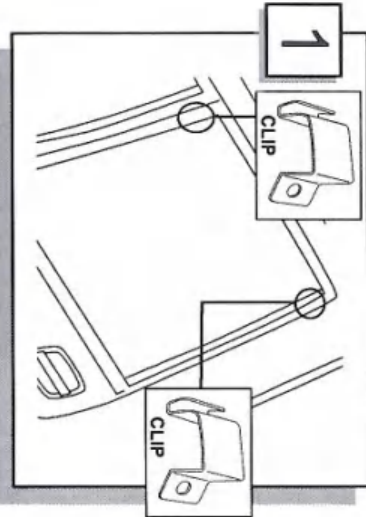
MADE IN AUSTRALIA

IMPORTANT: THE WINDOW VISOR MUST BE FITTED INTO THE SAME CHANNEL AS THE DOOR WINDOW GLASS
THE DOOR WINDOW MUST BE FULLY DOWN WHEN INSTALLING THE WINDOW VISOR

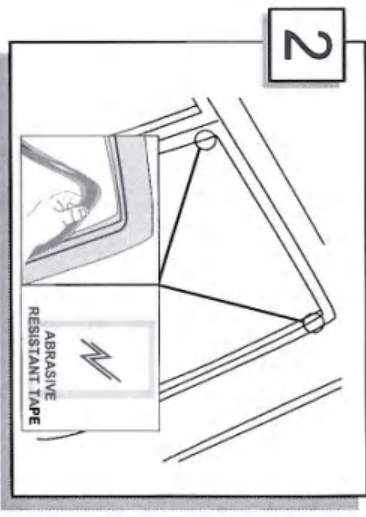
REAR DOOR INSTALLATION

INSTALLATION INSTRUCTIONS

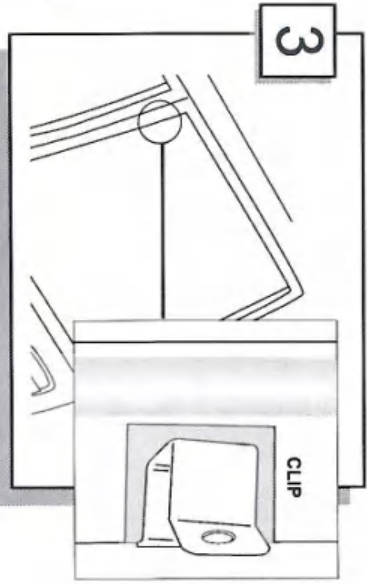
IN-CHANNEL SLIMLINE WINDOW VISOR



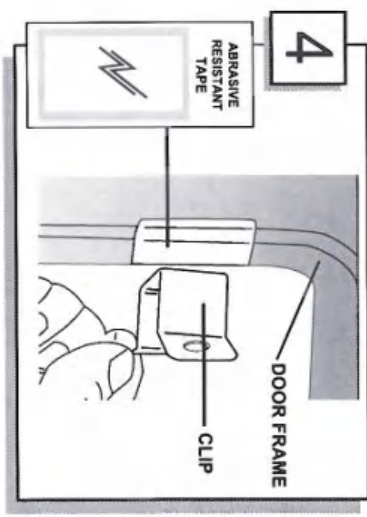
• Trial fit the **WINDOW VISOR** and take note of the positions of metal clips as shown above. Do not insert clips at this time. Remove **WINDOW VISOR**.



• Before fitting the **WINDOW VISOR** pull the rubber trim away from the door frame at either side as shown. Clean the previously noted positions for clips (on door frame) with alcohol wipe provided and wipe away any residue with a dry clean cloth. Adhere abrasive resistant tape to the cleaned areas



• Insert clip to front of door frame making sure that the clip is resting on the abrasive resistant tape. Replace the rubber in order to hold the clip in place. (See Figure.1)



• Insert clip to rear of door frame making sure it's resting on the abrasive resistant tape. Replace the rubber in order to hold the clip in place. (See Figure.1)

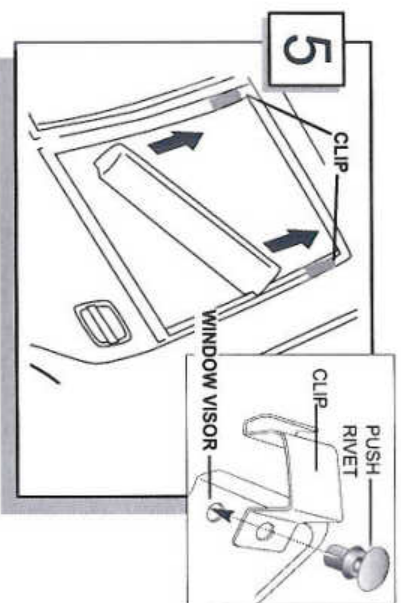
To Clean: Use mild detergent and water solution. (Do NOT use solvents).
MADE IN AUSTRALIA

IMPORTANT: THE WINDOW VISOR MUST BE FITTED INTO THE SAME CHANNEL AS THE DOOR WINDOW GLASS
THE DOOR WINDOW MUST BE FULLY DOWN WHEN INSTALLING THE WINDOW VISOR

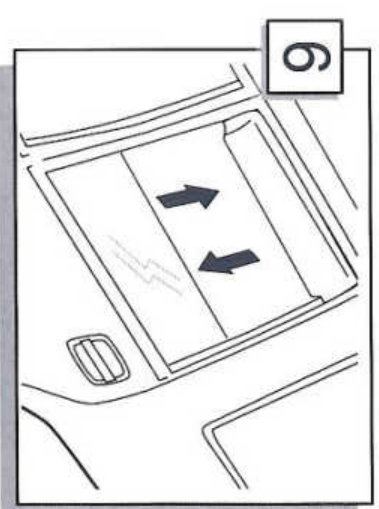
REAR DOOR INSTALLATION

INSTALLATION INSTRUCTIONS

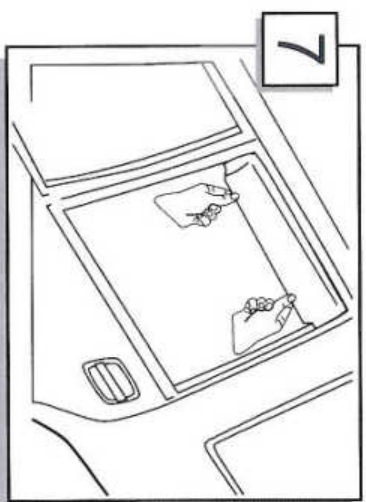
IN-CHANNEL SLIMLINE WINDOW VISOR



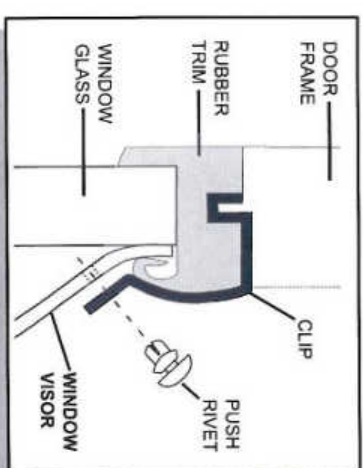
- Fit front and rear of WINDOW VISOR into the window channel as shown (See Figure 1). Align the WINDOW VISOR with clips and secure it with the push rivet provided.



- Wind window up and down several times, to ensure a secure fit.



- To remove gently pull the push rivet out and pull the WINDOW VISOR downward and slide off.
IMPORTANT
Remove carefully to avoid damage to WINDOW VISOR and vehicle.



• Figure. 1

To Clean: Use mild detergent and water solution. (Do NOT use solvents).
MADE IN AUSTRALIA