

# HUSKY LINERS

## 99-01 FORD SUPER DUTY DUALY REAR MUD GUARD INSTALLATION INSTRUCTIONS

*Please read instructions thoroughly before installation.*

### Tools Required

- Short Phillips screwdriver
- Cutting tool - for removal of existing plastic fasteners

### Package Contents

- Driver & passenger side rear mud guard
- #10 screw (qty. 10)
- Fender washer (qty. 10)
- U-clip (qty. 10)
- Instruction sheet

**NOTE:** It may be necessary to remove the wheels depending on the tools being used for installation.

1. Clean and degrease the mud guard location area on the fender before installation.
2. Remove existing plastic fasteners from locations A, C, D, and E by cutting off the heads of the fasteners and pushing the remaining piece through the fender tab hole (Figure 1).
3. Remove the existing screw and washer from location B with a short phillips screwdriver.
4. Pull back fender liner to expose fender tabs (Figure 1 and 3).
5. Install a U-clip at locations A, B, C, D, and E (Figure 2 and 3)
6. Place mud guard between fender and fender liner and install a #10 screw and washer through fender liner, mud guard, U-clip and fender tab at locations A, B, C, D, and E (Figure 1 and 2), check fit and alignment before tightening.

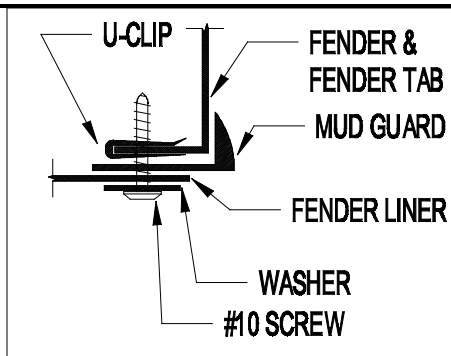


Figure 2

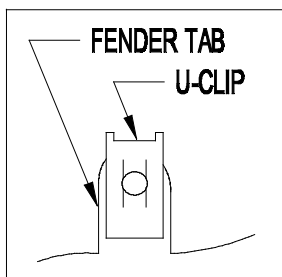


Figure 3

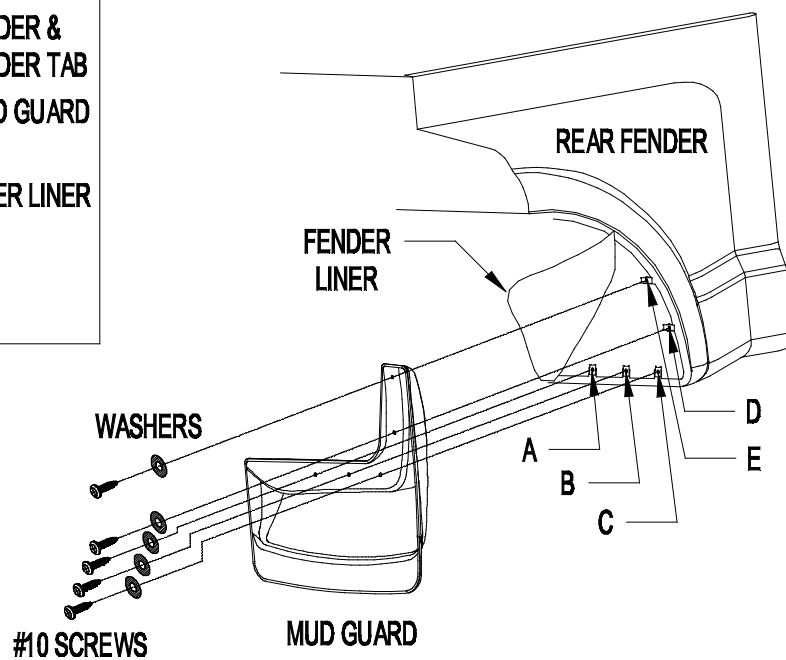


Figure 1

### **PAINTING INSTRUCTIONS**

1. Clean mud guard with a soap and water solution to remove dirt and other contaminants.
2. Sand painting surface with 320 grit sand paper.
3. Apply a coating of flexible primer-adhesion promoter.
4. Apply a flexible paint as directed by the paint