

TOYOTA TACOMA WITH FACTORY FENDER FLARES REAR MUD GUARD - INSTALLATION INSTRUCTIONS

Please read instructions thoroughly before installation.

Tools Required

- Short Phillips screwdriver
- 10mm wrench

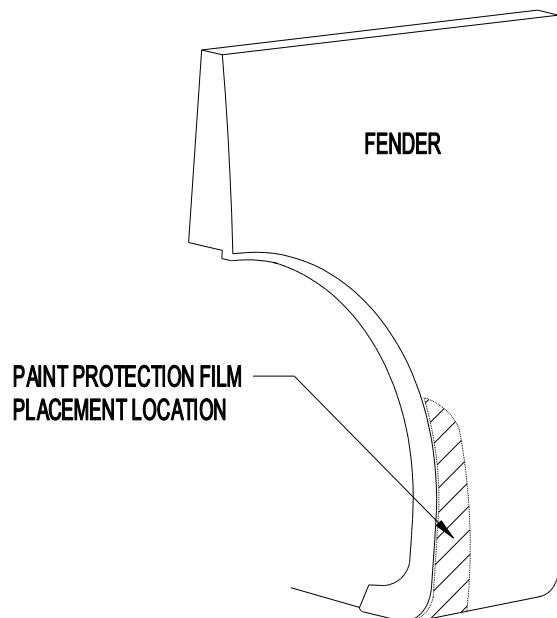
Package Contents

- Driver & passenger side rear mud guards
- Paint Protection Film (1 set)
- Instruction sheet
- M 6.3 X 20 Hex Head SEM Screw (qty. 2)

PAINT PROTECTION FILM - INSTALLATION

NOTE: The Paint Protection Film is a precut template of film used to protect the mud guard mounting surfaces of your fenders against wear. The templates (left and right side) can be removed from the backing liner by folding the liner at the center cut of the template, separating the film sides and peeling the film templates from the backing liner.

1. Position mud guard on fender to indicate placement location of paint protection film.
2. Clean the placement area of fender with a clean cotton cloth and a petroleum distillate based cleaner such as DuPont Prep-Sol Brand Solvent Cleaner or 3M Brand Adhesive Cleaner and dry.
3. Mix a wetting solution of 1 pint of water with 4 drops of liquid dishwashing detergent.
4. Mark correct position of film by placing mud guard against fender.
5. Remove protection film from liner and flood adhesive side of film with wetting solution (use a spray bottle or sponge).
6. Thoroughly wet film placement location of fender with wetting solution.
7. Position the adhesive side of film on fender and flood with wetting solution.
8. Check location of film with mud guard and reposition as necessary.
9. Using a sponge, squeegee any air bubbles and wrinkles from film.
10. Allow film to dry before installing mud guard.



MUD GUARD INSTALLATION

NOTE: Turn front wheels left or right to allow clearance for mud guard installation. It may also be necessary to remove the wheels before mud guard installation. Determine which mudguard you have by locating the part number molded in the mounting flange (5794 LH 5794 RH).

1. Remove the existing fasteners from locations A, B, C and D.
2. Attach the mud guard at locations A, B, C and D with the existing fasteners. Check the mud guard fit and appearance before tightening. Do not over tighten.
3. There are instances when a factory screw is not provided at location D. Your installation kit includes two screws that can be used at location D.

