

# INSTALLATION INSTRUCTIONS AND PARTS LIST

## MODEL 583036, 584036 O-MEGA II 6" OVAL STEPS

1. READ INSTRUCTIONS COMPLETELY AND CHECK TO MAKE SURE THAT ALL REQUIRED PARTS (LISTED ON THE SERVICE PARTS LIST) ARE ON HAND BEFORE STARTING THE INSTALLATION.
2. FOLLOW THE INSTRUCTIONS INCLUDED WITH THE SPECIFIC BRACKET PACKAGE THAT YOU ARE USING, TO MOUNT THE BRACKETS TO YOUR VEHICLE.
3. BEFORE ATTACHING THE O-MEGA STEPS TO THE BRACKETS, PLACE THE STEP PADS (ITEM #2) ON TOP OF THE STEP PLATES ACCORDINGLY FOR YOUR VEHICLE. USING THE HOLES IN THE STEP PAD AS A GUIDE DRILL (5) 1/8" PILOT HOLES. ATTACH WITH (5) 8-18X1/2" TEK SCREWS (ITEM #6) PROVIDED. REPEAT FOR ALL STEP PADS.
4. INSTALL THE REQUIRED NUMBER OF SQUARE HEAD SCREWS (ITEM#4) INTO THE DESIGNATED SLOTS IN THE BOTTOM OF THE STEP PLATES.
5. INSTALL THE END CAPS (ITEM #3) AS SHOWN IN (FIG.1), TIGHTENING THE SERRATED NUTS (ITEM#5) TO 5 LB FT.
6. POSITION THE O-MEGA STEP ON THE MOUNTING BRACKETS SO THAT THE SQUARE HEAD SCREWS (ITEM #4) ARE LOCATED IN THE SLOTS OF THE MOUNTING BRACKETS AND THE STEP IS CENTERED, FRONT TO REAR, ON THE VEHICLE. INSTALL 5/16" SERRATED FLANGE NUTS (ITEM #5) ON THE SQUARE HEAD SCREWS (ITEM #4) AND TIGHTEN TO 19 LB FT.

### SERVICE PARTS LIST

ITEM	PART NO.	QTY	DESCRIPTION
1	553068	2	EXTRUSION-AL,33.00"OMEGA, SILVER
1	553056	2	EXTRUSION-AL,33.00"OMEGA, BLACK
2	552970	2	ALUM, STP-PAD, BLK, OMEGA-STEP
3	107956	4	CAP-END,PLSTC,2.95 X 6.70
4	106880	16	SCREW-SQ HD,5/16-18 X 1,MAGNIGUARD
5	102680	16	NUT-SERR FLG,HX,SST,WX,5/16-18
6	107958	10	SCREW-PPH,TEK,#8-18 X 1/2",SST,BZP



SERVICE PARTS LIST

BRACKET NO. - 583036/584036

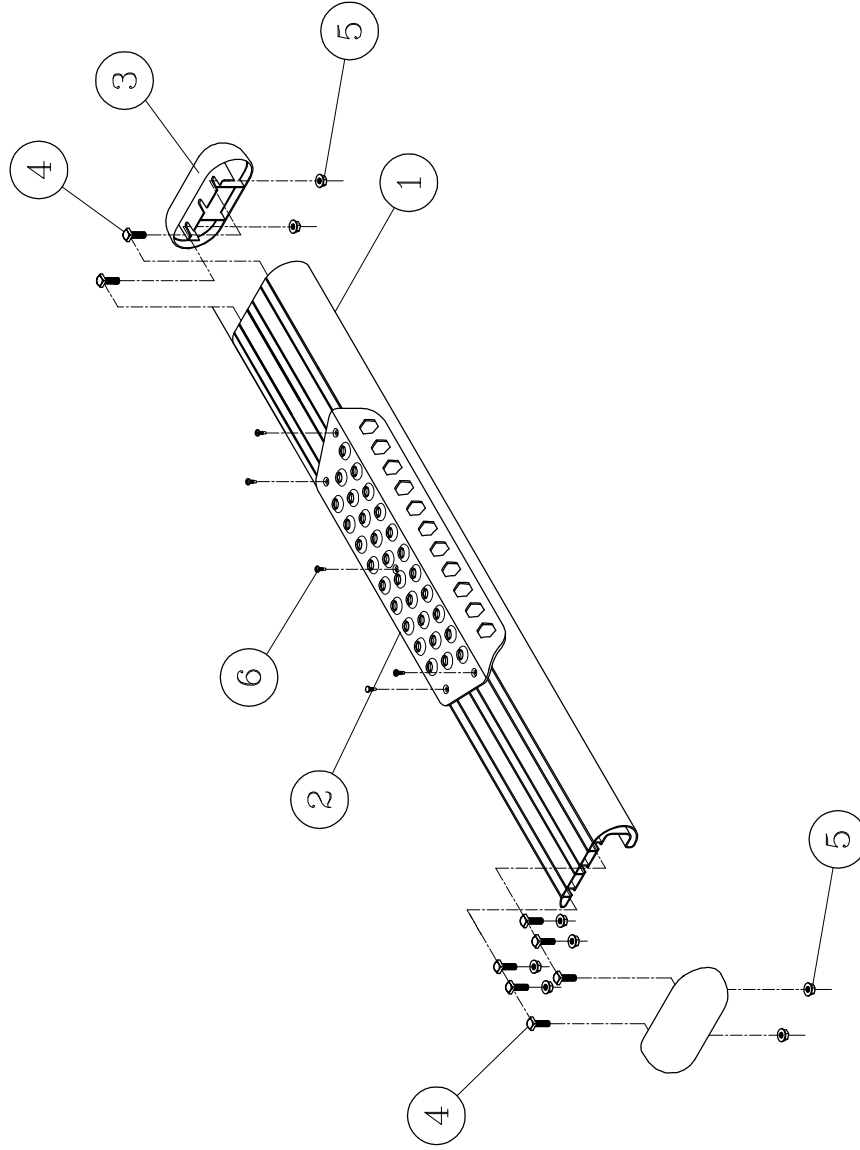


fig.1



# INSTALLATION INSTRUCTIONS AND PARTS LIST

## MODEL 570121 O-MEGA STEPS

VEHICLE APPLICATION:

2001 AND NEWER FORD CUT-A-WAY VANS

**READ INSTRUCTIONS COMPLETELY AND CHECK TO MAKE SURE THAT ALL REQUIRED PARTS (LISTED ON SERVICE PARTS LIST) ARE ON HAND BEFORE STARTING THE INSTALLATION.**

1. ON THE PASSENGERS SIDE OF THE VEHICLE, REMOVE THE TAPE THAT IS COVERING THE MOUNTING HOLES IN THE INSIDE QUARTER PANEL (TWO FRONT LOCATIONS).
2. INSTALL THE SHORT 5/16-18" MULTI THREAD U-NUTS (ITEM #11) IN THE RECTANGULAR AND ROUND HOLES AT THE 1<sup>ST</sup> HOLE FROM THE FRONT. INSTALL THE LONG 5/16-18" MULTI THREAD U-NUT (ITEM #12) IN THE RECTANGULAR AND ROUND HOLE AT THE 2<sup>ND</sup> SET OF HOLES FROM THE FRONT.
3. INSTALL THE MOUNTING BRACKETS (ITEMS #2 & #4) USING THE 5/16-18 X 1" HEX BOLTS (ITEM #8), 5/16" FLAT WASHERS (ITEM #15) AND 5/16" LOCK WASHERS (ITEM #16) AS SHOWN IN *fig. 1*. INTO THE MULTI THREAD U-NUTS. FINGER TIGHTEN ONLY AT THIS TIME.
4. INSTALL THE 5/16-18 X 1" HEX BOLTS (ITEM #8), 5/16" FLAT WASHERS (ITEM #15) AND BLACK PLATED 5/16" SERRATED FLANGE NUTS (ITEM #14) THROUGH THE HOLES IN THE LOWER PINCH WELD AND THE BRACKET AS SHOWN IN *fig 1*. FINGER TIGHTEN ONLY AT THIS TIME. **(NOTE: IF YOUR VEHICLE DOES NOT HAVE HOLES IN THE PINCH WELD THEY WILL HAVE TO BE DRILLED. MAKE SURE THE BRACKETS ARE TIGHT AGAINST THE BODY PANELS, AND USING THE HOLE IN THE BRACKETS AS A GUIDE, DRILL AN Ø11/32" HOLE THROUGH THE PINCH WELD AT EACH BRACKET.)**
5. MAKE SURE THE TWO FRONT BRACKETS ARE UP TIGHT AGAINST THE VEHICLE SURFACE AT THE TOP AND TIGHTEN THE BOLT THAT GOES THROUGH THE PINCH WELD THEN TIGHTEN THE BOLTS THAT GO INTO THE U-NUTS. TIGHTEN THE BOLTS TO 19 FOOT POUNDS OF TORQUE.
6. REPEAT STEPS #1 - #5 ON THE DRIVERS SIDE.
7. THE O-MEGA STEP PLATES (MODEL #585054) USED FOR THIS APPLICATION WILL NEED TO BE CUT DOWN TO THE PROPER LENGTH, APPROXIMATELY 36-1/2". REMOVE THE END CAP FROM THE UNBOLTED END. USING A HACKSAW OR BAND SAW, CUT THE STEP PLATES TO LENGTH.

**NOTE: SEE THE MOUNTING INSTRUCTION THAT COME WITH THE STEP PLATES FOR STEP PAD MOUNTING INSTRUCTIONS.**

8. INSTALL THREE SQUARE HEAD SCREWS, 5/16-18 X 1" (ITEM #9) IN THE FRONT AND REAR TRACK OF THE STEP PLATES.
9. REINSTALL THE END CAP BACK ON THE END OF THE STEP PLATE AND BOLT IT DOWN WITH THE END SET OF BOLTS.
10. POSITION THE O-MEGA STEP ON THE MOUNTING BRACKETS SO THAT THE SQUARE HEAD SCREWS ARE LOCATED IN THE SLOTS OF THE MOUNTING BRACKETS AND THE STEP IS CENTERED, FRONT TO REAR ON THE VEHICLE. INSTALL 5/16" SERRATED FLANGE NUTS (ITEM #13) ON THE SQUARE HEAD SCREWS. TIGHTEN THE STEP PLATE MOUNTING BOLTS TO 19 FOOT POUNDS OF TORQUE.



(A LIVERNE Company)

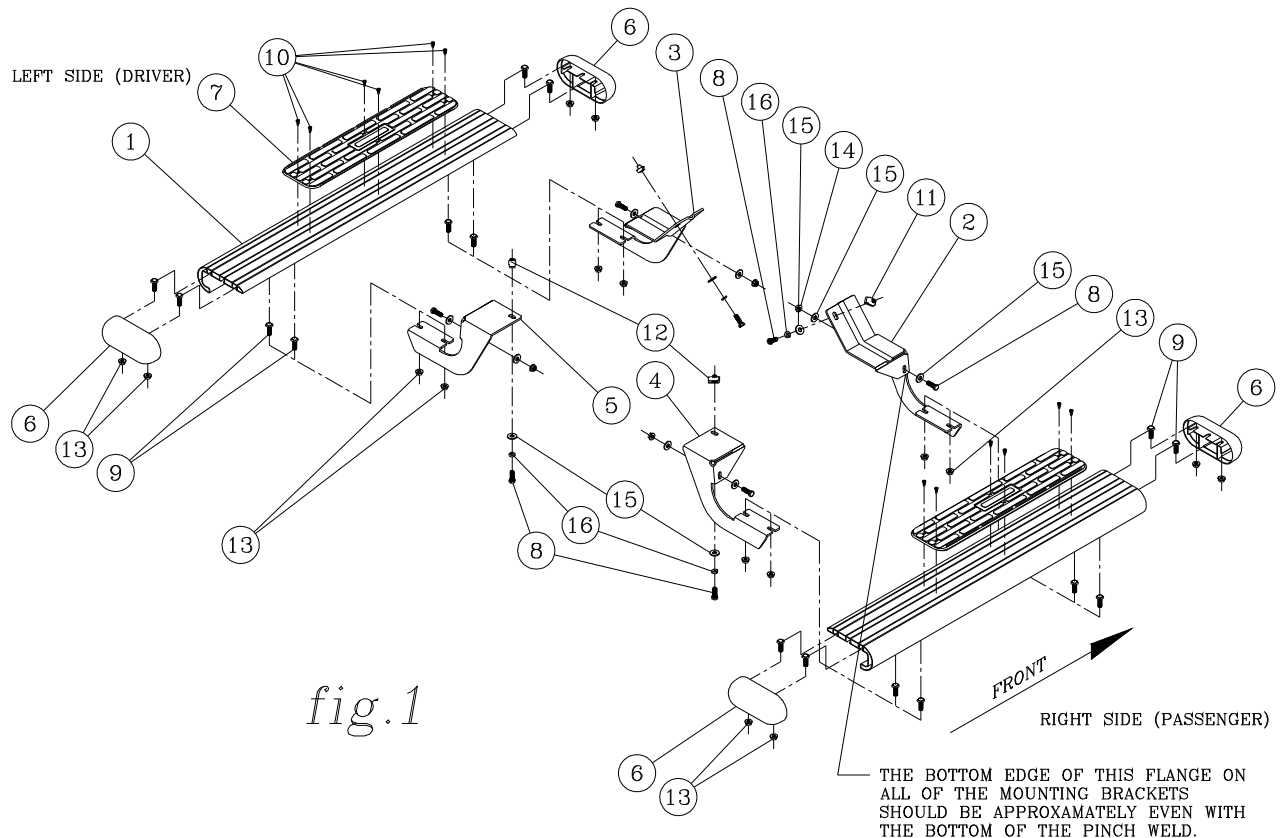
1200 E. Birch St.

Brandon, SD 57005

551913 SHEET 1 OF 2 26OCT10

## SERVICE PARTS LIST

ITEM	PART NO.	QTY	DESCRIPTION
1	585054	1	O-MEGA STEP ASSY- 54.00" (MOD. 585054)
2	551789	1	MOUNTING BRACKET – FRONT, RH
3	551790	1	MOUNTING BRACKET - FRONT, LH
4	551791	1	MOUNTING BRACKET – CENTER, RH
5	551792	1	MOUNTING BRACKET – CENTER, LH
6	107956	4	PLASTIC END CAP – 2.95" X 6.70"
7	107957	2	STEP PAD 4-1/2" X 20"
8	106997	8	SCREW – HHC, 5/16-18" X 1", BZP
9	106880	16	SCREW-SQUARE HD, 5/16-18 X 1"
10	107958	12	PHILLIPS HEAD TEK SCREW - #8-18 X 1/2, SST
11	104264	2	U-NUT – MULTI THREAD, 5/16-18"
12	105541	2	U-NUT – MULTI THREAD, 5/16-18", LONG
13	102680	16	NUT – SERRATED FLANGE, 5/16-18", SST
14	106996	4	NUT – SERRATED FLANGE, 5/16-18", BZP, SST
15	106998	12	FLAT WASHER - 5/16", SST, BZP
16	102668	4	LOCK WASHER - 5/16", SST



**LIVERNE**  
TRUCK EQUIPMENT

(A LIVERNE Company)

1200 E. Birch St.

Brandon, SD 57005

551913 SHEET 2 OF 2 26OCT10

SERVICE PARTS LIST

MODEL NO. - 570121

LEFT SIDE (DRIVER)

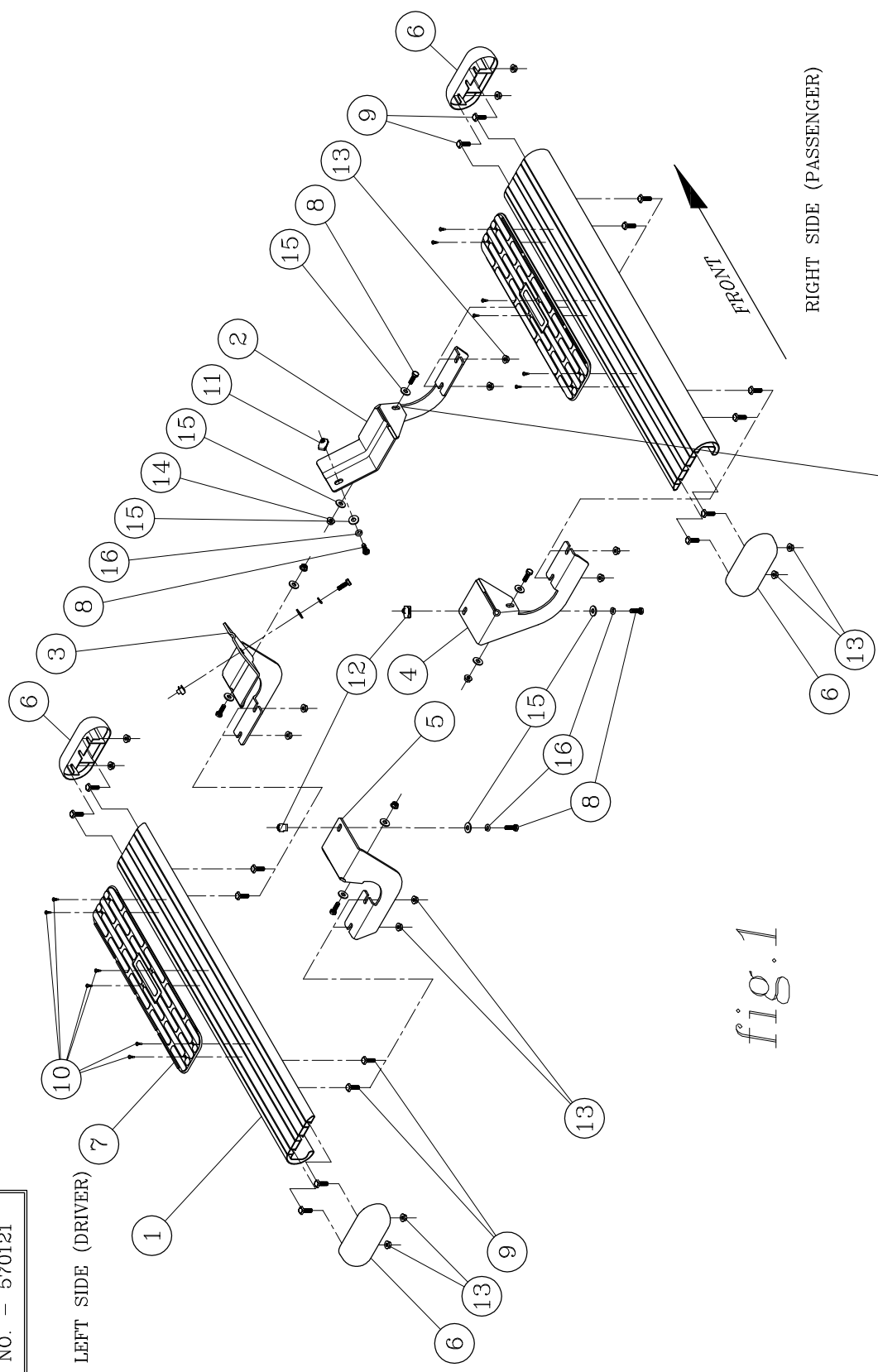


fig. 1

RIGHT SIDE (PASSENGER)

THE BOTTOM EDGE OF THIS FLANGE ON ALL OF THE MOUNTING BRACKETS SHOULD BE APPROXIMATELY EVEN WITH THE BOTTOM OF THE PINCH WELD.

**LIVERNE**  
**TRUCK EQUIPMENT**  
 (A LIVERNE Company)

1200 E. Birch St.  
 Brandon, SD 57005