

INSTALLATION INSTRUCTIONS AND PARTS LIST
MODEL 583072, 583078, 583088, 584072, 584078, 584088 O-MEGA II 6" OVAL STEPS
 UNIVERSAL APPLICATION

1. READ INSTRUCTIONS COMPLETELY AND CHECK TO MAKE SURE THAT ALL REQUIRED PARTS (LISTED ON THE SERVICE PARTS LIST) ARE ON HAND BEFORE STARTING THE INSTALLATION.
2. FOLLOW THE INSTRUCTIONS INCLUDED WITH THE SPECIFIC BRACKET PACKAGE THAT YOU ARE USING, TO MOUNT THE BRACKETS TO YOUR VEHICLE.
3. BEFORE ATTACHING THE O-MEGA STEPS TO THE BRACKETS, PLACE THE STEP PADS (ITEM #2) ON TOP OF THE STEP PLATES. USE THE TABLE ON SHEET #2, AS A GUIDE TO POSITION THE STEP PAD FOR YOUR PARTICULAR VEHICLE. WHEN INSTALLING THE PADS ON THE STEPS, DRILL (5) 1/8" HOLE USING THE STEP PAD AS A GUIDE. ATTACH WITH (5) 8-18X1/2" TEK SCREWS (ITEM #6) PROVIDED. REPEAT FOR ALL STEP PADS.
4. INSTALL THE REQUIRED NUMBER OF SQUARE HEAD BOLTS INTO THE DESIGNATED SLOTS IN THE BOTTOM OF THE STEP PLATES.
5. INSTALL THE END CAPS (ITEM #3) AS SHOWN IN *fig. 1*, TIGHTENING THE NUTS TO 5 LB FT.
6. POSITION THE O-MEGA STEP ON THE MOUNTING BRACKETS SO THAT THE SQUARE HEAD SCREWS (ITEM #4) ARE LOCATED IN THE SLOTS OF THE MOUNTING BRACKETS AND THE STEP IS CENTERED, FRONT TO REAR, ON THE VEHICLE. INSTALL 5/16" SERRATED FLANGE NUTS (ITEM #5) ON THE SQUARE HEAD SCREWS (ITEM #4) AND TIGHTEN TO 19 LB FT.

SERVICE PARTS LIST

| ITEM | PART NO. | QTY | DESCRIPTION |
|------|----------|-----|------------------------------------|
| 1 | 553071 | 2 | EXTRUSION-AL,69.0,OMEGA STP,SILVER |
| 1 | 553072 | 2 | EXTRUSION-AL,75.0,OMEGA STP,SILVER |
| 1 | 553073 | 2 | EXTRUSION-AL,85.0,OMEGA STP,SILVER |
| 1 | 553059 | 2 | EXTRUSION-AL,69.0,OMEGA STP,BLACK |
| 1 | 553060 | 2 | EXTRUSION-AL,75.0,OMEGA STP,BLACK |
| 1 | 553061 | 2 | EXTRUSION-AL,85.0,OMEGA STP,BLACK |
| 2 | 552970 | 4 | ALUM,STP-PAD,BLK,OMEGA-STEP |
| 3 | 107956 | 4 | CAP-END,PLSTC,2.95 X 6.70 |
| 4 | 106880 | 24 | SCREW-SQ HD,5/16-18 X 1,MAGNIGUARD |
| 5 | 102680 | 24 | NUT-SERR FLG,HX,SST,WX,5/16-18 |
| 6 | 107958 | 20 | SCREW-PPH,TEK,#8-18 X 1/2",SST,BZP |



STEP PAD LOCATION GUIDE



| VEHICLE MODEL | PAD A | PAD B |
|-------------------------------|--------|---------|
| SILVERADO/SIERRA DOUBLE CAB | 14-3/4 | 46-3/4 |
| SILVERADO/SIERRA EXTENDED CAB | 14-3/4 | 41-3/4 |
| SILVERADO/SIERRA CREW CAB | 14-3/4 | 54-1/4 |
| COLORADO/CANYON EXTENDED CAB | 10-1/2 | 43 |
| COLORADO/CANYON CREW CAB | 10-1/2 | 51 |
| AVALANCHE/SUBURBAN/YUKON XL | 15-1/4 | 55-1/4 |
| TAHOE/YUKON | 15-1/4 | 48-1/4 |
| RAM QUAD CAB | 10-1/2 | 46 |
| RAM CREW CAB | 10-1/2 | 48 |
| RAM MEGA CAB | 10-1/2 | 52-1/16 |
| DODGE DAKOTA QUAD CAB | 10-1/2 | 39 |
| DODGE DURANGO | 15-1/4 | 50-1/4 |
| FORD F150 SUPER CAB | 18-1/4 | 46-1/4 |
| FORD F150 SUPER CREW CAB | 18-1/4 | 56-1/2 |
| FORD SUPER DUTY SUPER CAB | 14-1/4 | 42 |
| FORD SUPER DUTY CREW CAB | 12 | 58-1/4 |
| TOYOTA TUNDRA DOUBLE CAB 07+ | 8-1/4 | 49-1/4 |
| TOYOTA TUNDRA CREWMAX07+ | 8-1/4 | 54-1/4 |
| TOYOTA TACOMA ACCESS CAB | 8-1/4 | 30-1/5 |
| TOYOTA TACOMA DOUBLE CAB | 18-3/4 | 55-1/4 |

NOTE: THE ABOVE PAD LOCATIONS ARE ONLY SUGGESTIONS AND MAY BE PLACED AT THE PURCHASERS DISCRETION.



INSTALLATION INSTRUCTIONS AND PARTS LIST

MODEL 570713 MEGA STEPS

VEHICLE APPLICATION: 2007 GM SILVERADO & SIERRA CREW CAB PICKUPS
2007 AND NEWER GM TAHOE & SUBURBAN WITHOUT FACTORY SIDE STEPS
2007 CHEVY AVALANCHE WITHOUT FACTORY SIDE STEPS
2007 GM SILVERADO&SIERRA EXT CAB



1. READ INSTRUCTIONS COMPLETELY AND CHECK TO MAKE SURE THAT ALL REQUIRED PARTS (LISTED ON SERVICE PARTS LIST) ARE ON HAND BEFORE STARTING THE INSTALLATION. SEE ATTACHED DRAWING FOR VEHICLE APPLICATION YOU REQUIRE.
2. ATTACH THE TOP OF THE MOUNTING BRACKETS TO THE VEHICLE WITH (ITEM#3) – (U-NUT AND BOLT OR FLANGED NUT MAY NEED TO BE USED. SEE ATTACHED DRAWINGS FOR SPECIFIC VEHICLE APPLICATION)
3. INSERT A NYLON WASHER (ITEM #2) BETWEEN THE TOP OF THE MOUNTING BRACKET AND THE BOTTOM OF THE ROCKER PANEL AND INSTALL THE SCREW (ITEM#3) AND WASHER (ITEM#7) AND NUT (ITEM#8) PLACE PINCH WELD SUPPORT BRACKET ABOVE PINCH WELD AREA. AS SHOWN. -(UNLESS THREADED)-THIS IS DONE ON EACH MOUNTING BRACKET.TIGHTEN TO 19 LB FT.THE DISTANCE BETWEEN THE FRONT BRACKET AND 2ND BRACKET WILL BE 24 INCHES.
4. PREPARE THE MEGA STEP PLATE FOR MOUNTING AS FOLLOWS.INSERT THREE (3) 5/16” SQUARE HEAD SCREWS (ITEM #5) IN THE CENTER SLOT ON THE UNDER SIDE OF THE STEP.
5. POSITIONS THE MEGA STEP ON THE MOUNTING BRACKETS SO THAT THE SQUARE HEAD SCREWS ARE LOCATED IN THE SLOTS OF THE MOUNTING BRACKETS AND THE STEP IS CENTERED, FRONT TO REAR, ON THE VEHICLE. INSTALL 5/16” SERRATED FLANGE NUTS (ITEM #4) ON THE SQUARE HEAD SCREWS AND TIGHTEN TO 19 LB FT.

SERVICE PARTS LIST

| ITEM | PART NO. | QTY | DESCRIPTION |
|------|----------|-----|---|
| 1 | 575078 | 1 | STEP ASSY- 78.00” (MOD. 575078) TAHOE& EXT CAB |
| 1 | 575088 | 1 | STEP ASSY-88.00” (MOD. 575088) SUBURBAN & CREW CAB |
| 2 | 107182 | 6 | WASHER- SPCR, NYLON, BLK, .312 ID X 1.24 OD X .25 THK |
| 3 | 100180 | 12 | M8 X 30 X1.25 SCR,SST,BZP |
| 4 | 102680 | 14 | NUT-SERRATED FLANGE, HEX, SST, 5/16-18 UNC |
| 5 | 106880 | 6 | SCREW-SQUARE HD,5/16-18UNC X 1.00” |
| 6 | 551746 | 6 | MOUNTING BRACKET,MEGASTEP |
| 7 | 102734 | 12 | 5/16” STD FLAT WASHER SST |
| 8 | 105859 | 6 | M8 FLANGED NUT ZP |
| 9 | 100647 | 6 | 5/16” X 1.00” SCR ZP |
| 10 | 105541 | 6 | U-NUT 5/16” - 18 |
| 11 | 551666 | 6 | BRKT-MTG,PINCH WELD SUPPORT |

LIVERNE
ISO9001 QS9000 CERTIFIED TRUCK
EQUIPMENT
1200 Birch Street
Brandon, SD 57005
INC.

551741 SHEET 1 31OCT06
REVISION A 08NOV06
REVISION B 26MAR07
REVISION C 23OCT07
REVISION D 20OCT08

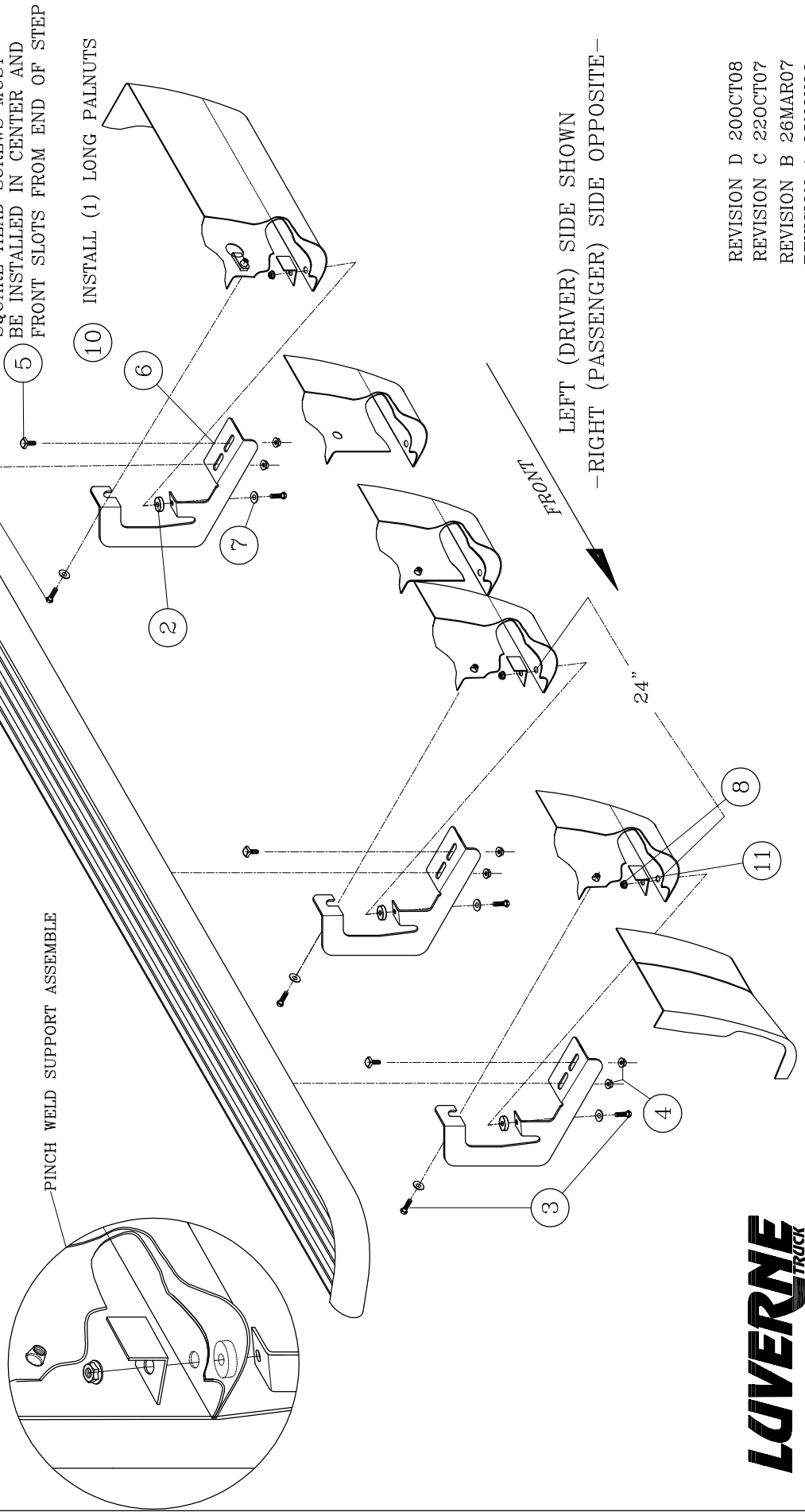
LUVERNE LOGO SHOULD BE TOWARD REAR OF VEHICLE

SILVERADO / SIERRA

SERVICE PARTS LIST

MODEL NO. -570713

NOTE:
 THE MOUNTING PATTERNS MAY NOT BE EXACTLY AS SHOWN. HOWEVER THERE WILL BE ENOUGH FASTENERS TO MAKE THE APPLICATION. THE DISTANCE BETWEEN THE FIRST AND SECOND BRACKET WILL BE 24 INCHES.



LEFT (DRIVER) SIDE SHOWN
 -RIGHT (PASSENGER) SIDE OPPOSITE-

REVISION D 20OCT08
 REVISION C 22OCT07
 REVISION B 26MAR07
 REVISION A 08NOV06
 551741 SHEET 2 31OCT06

LUVERNE
 TRUCK
 EQUIPMENT
 INC.
 1200 Birch Street
 Brandon, SD 57005

LUVERNE LOGO SHOULD BE TOWARD REAR OF VEHICLE

SUBURBAN / TAHOE

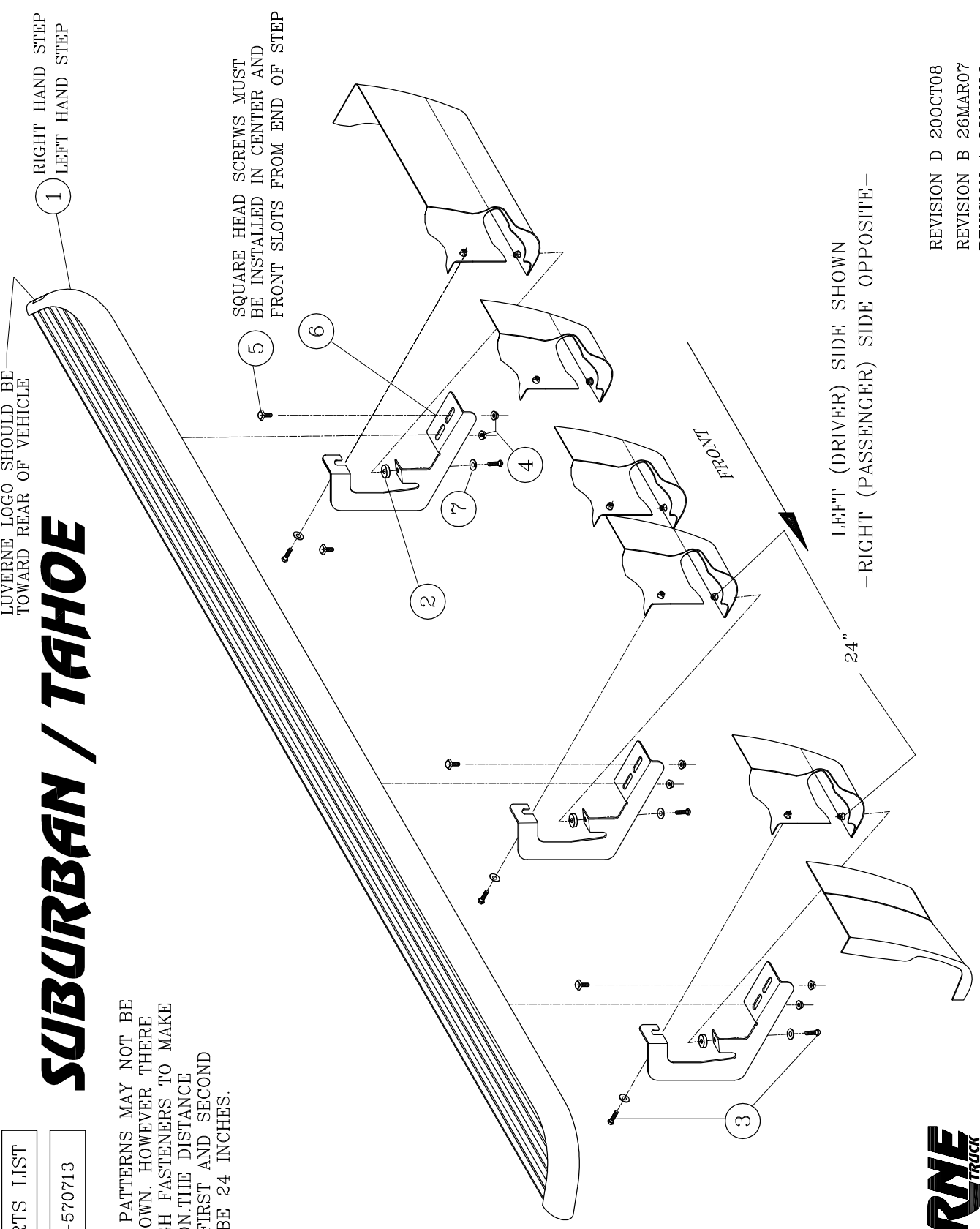
SERVICE PARTS LIST

MODEL NO. -570713

NOTE:
 THE MOUNTING PATTERNS MAY NOT BE EXACTLY AS SHOWN. HOWEVER THERE WILL BE ENOUGH FASTENERS TO MAKE THE APPLICATION. THE DISTANCE BETWEEN THE FIRST AND SECOND BRACKET WILL BE 24 INCHES.

1 RIGHT HAND STEP
 1 LEFT HAND STEP

SQUARE HEAD SCREWS MUST BE INSTALLED IN CENTER AND FRONT SLOTS FROM END OF STEP



24"
 LEFT (DRIVER) SIDE SHOWN
 -RIGHT (PASSENGER) SIDE OPPOSITE-

LUVERNE
 TRUCK
 EQUIPMENT
 INC.
 1200 Birch Street
 Brandon, SD 57005

REVISION D 200CT08
 REVISION B 26MAR07
 REVISION A 08NOV06
 551741 SHEET 3 310CT06

SERVICE PARTS LIST

MODEL NO. -570713

AVALANCHE

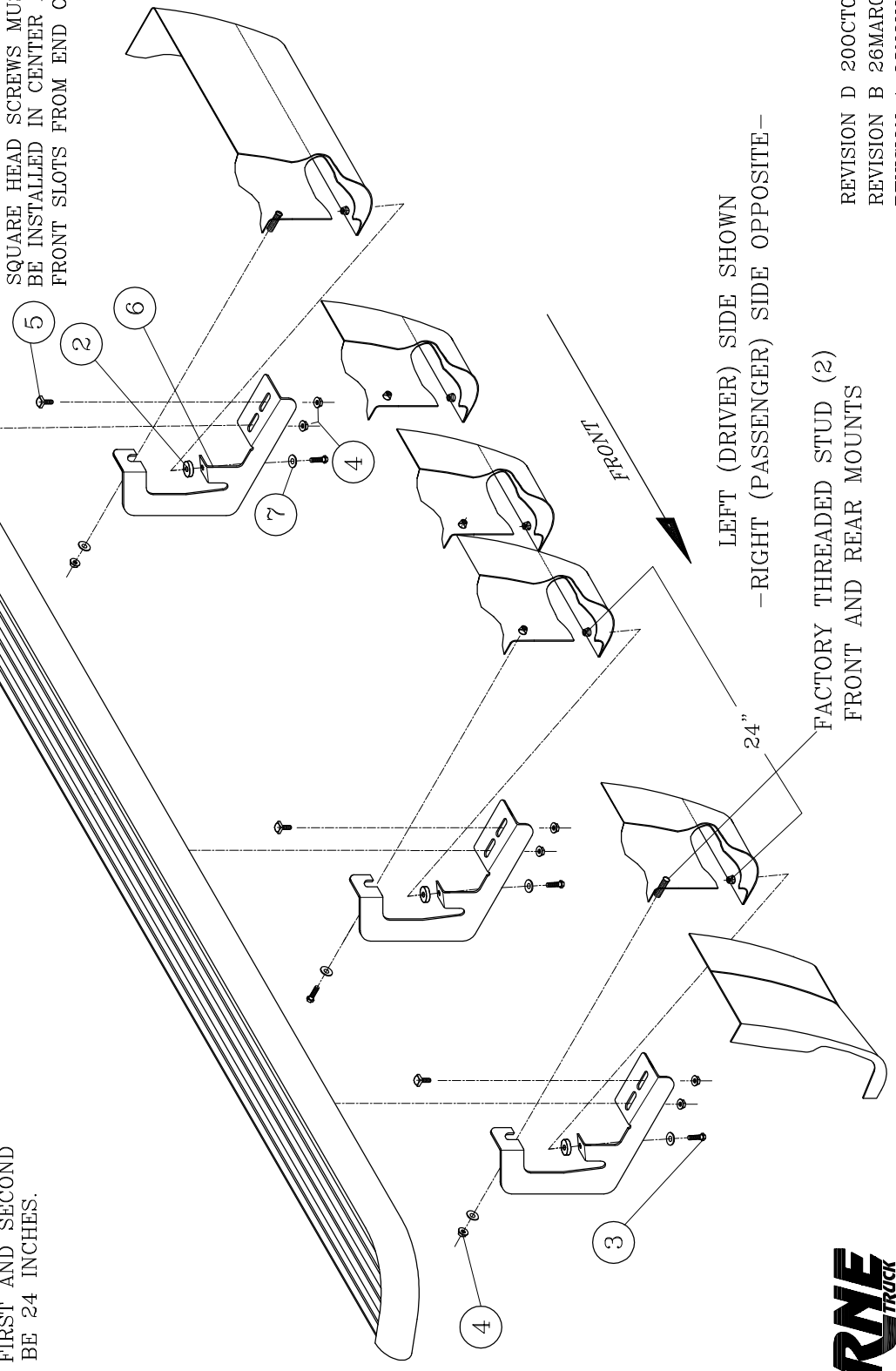
NOTE:
THE MOUNTING PATTERNS MAY NOT BE EXACTLY AS SHOWN. HOWEVER THERE WILL BE ENOUGH FASTENERS TO MAKE THE APPLICATION. THE DISTANCE BETWEEN THE FIRST AND SECOND BRACKET WILL BE 24 INCHES.

LUVERNE LOGO SHOULD BE TOWARD REAR OF VEHICLE

1

RIGHT HAND STEP
LEFT HAND STEP

SQUARE HEAD SCREWS MUST BE INSTALLED IN CENTER AND FRONT SLOTS FROM END OF STEP



LEFT (DRIVER) SIDE SHOWN
- RIGHT (PASSENGER) SIDE OPPOSITE -

FACTORY THREADED STUD (2)
FRONT AND REAR MOUNTS

LUVERNE
TRUCK
EQUIPMENT
INC.
1200 Birch Street
Brandon, SD 57005

REVISION D 20OCT08
REVISION B 26MAR07
REVISION A 08NOV06
551741 SHEET 4 31OCT06