



JEEP GRAND CHEROKEE REAR MUD GUARD INSTALLATION INSTRUCTIONS

Please read instructions thoroughly before installation.

Tools Required

- 1/8" drill bit / 1/4" drill bit/ Drill
- Short Phillips screwdriver or drill attachment
- Side Cutters / Utility Knife

Package Contents

- Driver & passenger side rear mud guard
- #10 SEM screw (qty. 4)
- U-clip (qty. 3)
- Instruction sheet

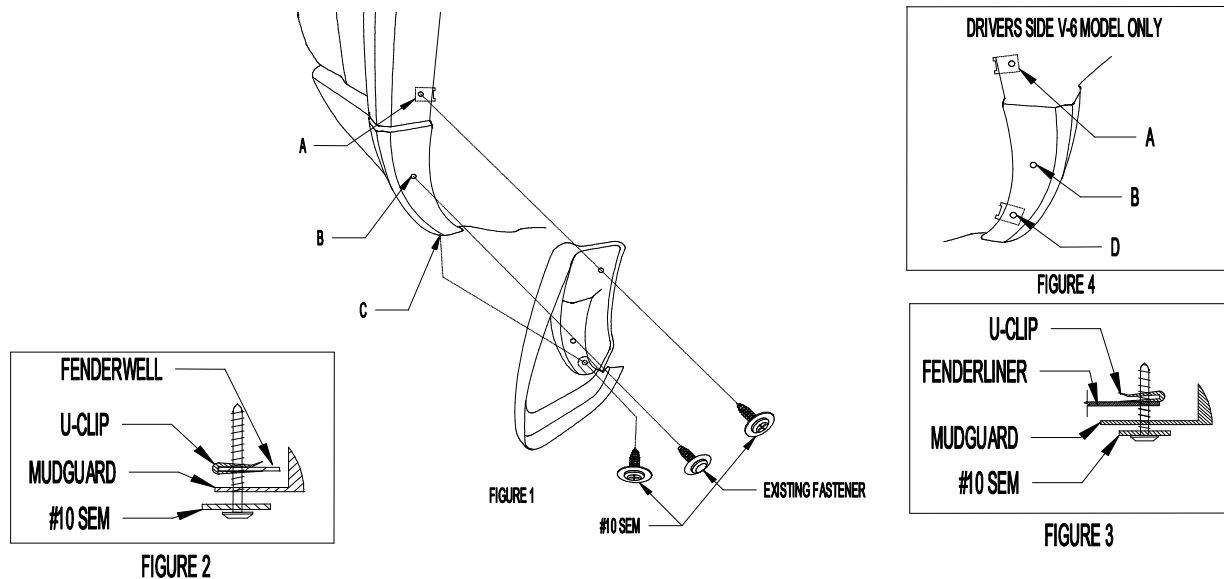
NOTE: It may be necessary to remove the wheels depending on the tools being used for installation.

HEMI / V-8 INSTALLATION

1. Clean and degrease the mud guard location area on the fender before installation.
2. Remove existing fastener from location A, B and C (Figure 1).
3. Install U-clip at location A over sheet metal behind fender liner. (Figures 1 and 2).
4. Attach mud guard to rear fender with a #10 SEM screw thru mud guard at location A. Check fit and level before tightening.
5. Install factory screw at location B. (Figures 1 and 2).
6. Install #10 SEM screw at location C. (Figures 1 and 2).

V-6 INSTALLATION

1. Clean and degrease the mud guard location area on the fender before installation.
2. Remove existing fastener from location A, B and C (Figure 1)
3. Drill pre-dimpled area on the drivers side mud guard prior to installation with a 1/4" drill bit at location D. (Drivers side only)
4. Install U-clip at location A over sheet metal behind fender liner. (Figure 1 and 2).
5. Attach mud guard to rear fender with a #10 SEM screw thru mud guard at location A. Check fit and level before tightening.
6. Install factory screw at location B.
7. Install #10 SEM at location C on passenger side only. (Figure 1)
8. Using the mud guard as a template drill an 1/8" hole on the drivers side and install #10 SEM screw through the mudguard and fender liner into a u-clip at location D (U-clip does not clip over fender liner, it goes behind liner and is used as a nut). (See figure 3 and 4).



PAINTING INSTRUCTIONS

NOTE: *If painting mud guards, perform a mud guard test fit to ensure correct fit and application prior to painting.*

1. Clean mud guard with a soap and water solution to remove dirt and other contaminants.
2. Sand painting surface with 320 grit sand paper.
3. Apply a coating of flexible primer-adhesion promoter.
4. Apply a flexible paint as directed by the paint manufacturer.