

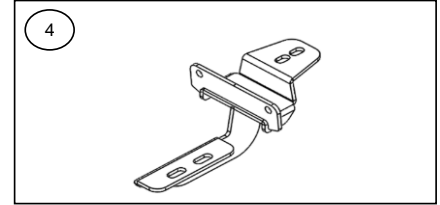
INSTALLATION INSTRUCTIONS
V-SERIES # 6949266

JEEP WRANGLER 2 DOOR

Do not attempt to install this product on any vehicle other than the one listed above!

PARTS LIST

ITEM	QTY.	PART #	DESCRIPTION	TORQUE
1	1 Piece		Side Steps passenger	-
2	1 Piece		Side Steps driver	-
3	1 Set		Hardware brackets kit	-
4	2 Sets	69492660AA	Front & Rear bracket	-
7	1 Set	KTE-6949266G4	Hardware kit	-
8	4 Piece	-	5/16 x 1" Hex head bolt Geomet	11 Lb.ft
9	4 Piece	-	5/16" Flat washer Geomet	-
10	4 Piece	-	5/16" Lock washer Geomet	-
11	4 Piece	-	5/16" Clip nut zinc plated	-
12	8 Piece	-	1/4 x 1" Hex head bolt zinc plated	20 Lb.ft
13	12 Piece	-	1/4" Flat washer zinc plated	20 Lb.ft
14	8 Piece	-	1/4" Lock washer zinc plated	20 Lb.ft
15	4 Piece	-	1/4" Hex nut zinc plated	-
16	8 Piece	-	M8 x 25mm Hex head bolt zinc plated	-
17	8 Piece	-	nut flange M8	-
18	8 Piece	-	Shim for screw	-
19	4 Piece	-	Hex head Sems M8 x 30 P1.25 G 8.8	-



ASSEMBLY & INSTALLATION TOOLS REQUIRED:

- 3/8" Socket & 3/8" Wrench
- 7/16" Socket & 7/16" Wrench
- 13 mm Socket & 13 mm Wrench
- Ratchet
- Extension.

Approximate installation time: 40 min.

Read the assembly and installation instructions completely and verify that all of the parts listed are accounted for. If you have defective, missing or damaged parts or need assistance, please contact Go Rhino Products for fast, friendly customer service at: 1-888-427-4466 or email: warranty@gorhino.com

It is the customer's responsibility to protect the finish with a regular application of a nonabrasive polish compatible with the products finish.

NOTE: Look the position before installing the brackets.



If the vehicle is equipped with factory slider bars, remove the fasteners, brackets and sliders bars from the vehicle.

Step-1 This installation uses (2) mounting brackets per side. Begin by installing the driver side front bracket. Locate the holes in the body pinch mold and in the under side of the body. Remove the black tape covering the round hole in the body and install (1) 5/16" U-nut as shown. **Photo #1**

Step 2. Attach (1) front mounting bracket to the pinch mold using (2) 1/4" X 1" Hex bolts, flat washers, lock washers, hex nuts and to the body using (1) 5/16" X 1" hex bolt, lock washer and flat washer. Do not tighten. **Photo #2**

Photo 1

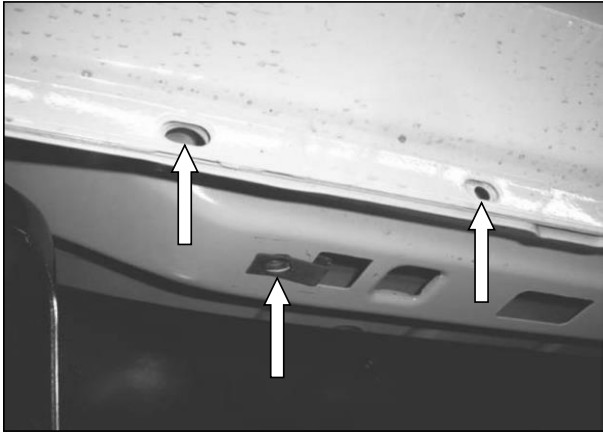
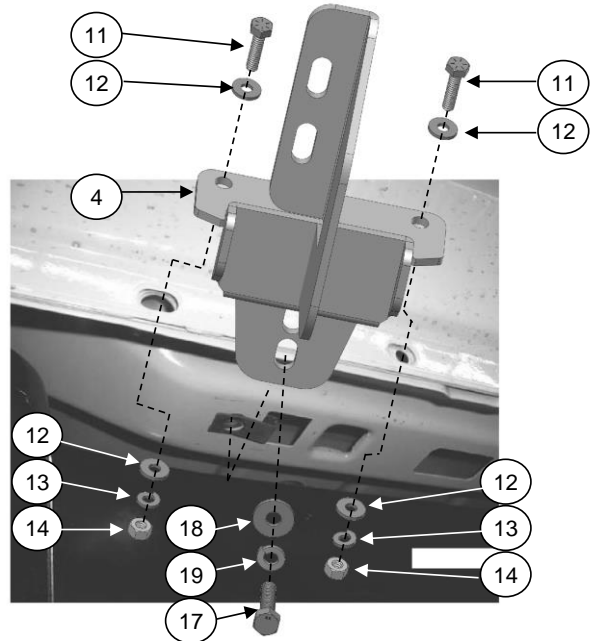


Photo 2



STEP 3. Repeat the above procedure to install (1) rear mounting bracket. Do not tighten. **Photo #3 & Photo #4**

Photo 3

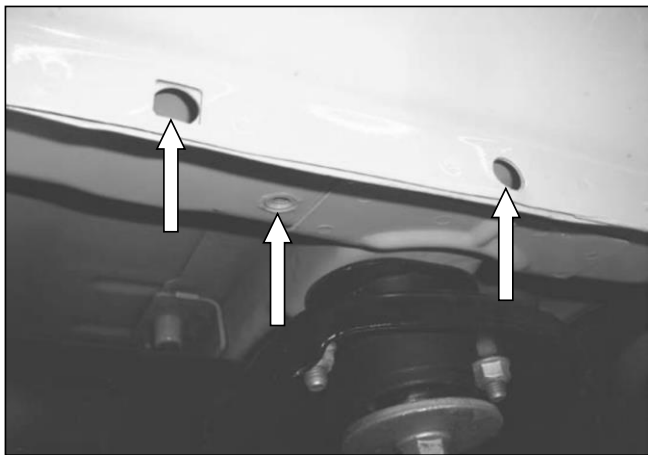
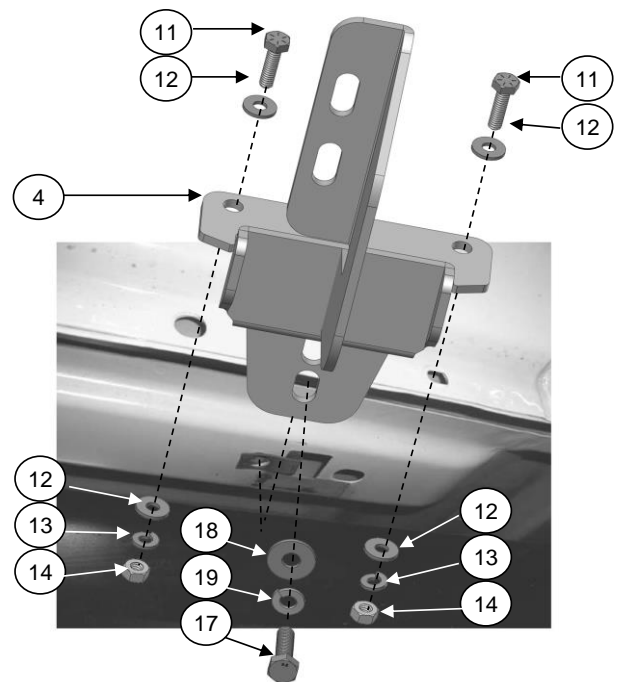
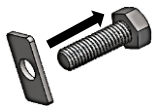


Photo 4



Step-4 Insert the bolt & shim assembly into the rails of the inner aluminum extrusion at the underside of the side step **Photo 5**. Each side step requires (4) M8 x 25mm. Hex bolt, 2 at the front, 2 at the rear.

Step-5 Place the Side step on the brackets using (4) nut flange M8. **Photo 6**.



Insert the shim to the bolt.

Photo 5



Photo 6



Step-6 Align the side step with the vehicle and tighten all brackets and side steps nuts and bolts. Repeat the above steps to install the passenger side brackets and side step. Remember to check and retighten the nuts and bolts every six months.



Installed product