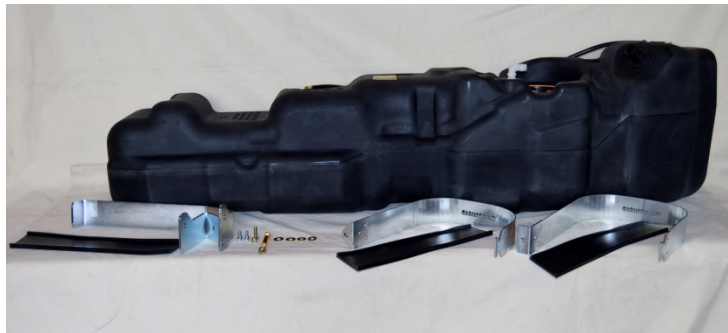


TITAN pt. no.: 03 0000 0135

Important: Please read these instructions carefully and completely before starting the installation.

TITAN Fuel Tanks™
INSTALLATION INSTRUCTIONS

Gen6



Extended Capacity Replacement Tanks for RAM Cummins Diesel Trucks

7030213 & 7030213S For **2013+** RAM truck models 2500 & 3500: (with pickup bed only): Mega Cab, Short-Bed (6 ½ ft.)

No drilling or cutting is required for this installation.

Required Tools:

- 1 ea. Ratcheting socket driver
- 1 ea. 16 mm socket
- 1 ea. 12 inch long socket driver extension
- 1 ea. 7/16 inch socket
- 1 ea. 7/16 inch end wrench
- 1 ea. 9/16 inch socket
- 1 ea. 9/16 end wrench
- 1 ea. 5/8 inch socket
- 1 ea. 5/8 inch end wrench
- 1 ea. ¾ inch socket
- 1 ea. ¾ inch end wrench
- 1 ea. Medium flat blade screw driver
- 1 ea. Needle nose pliers
- 1 ea. Torque wrench handle for socket
- 1 ea. Mallet or small hammer

Recommended Optional Tools:

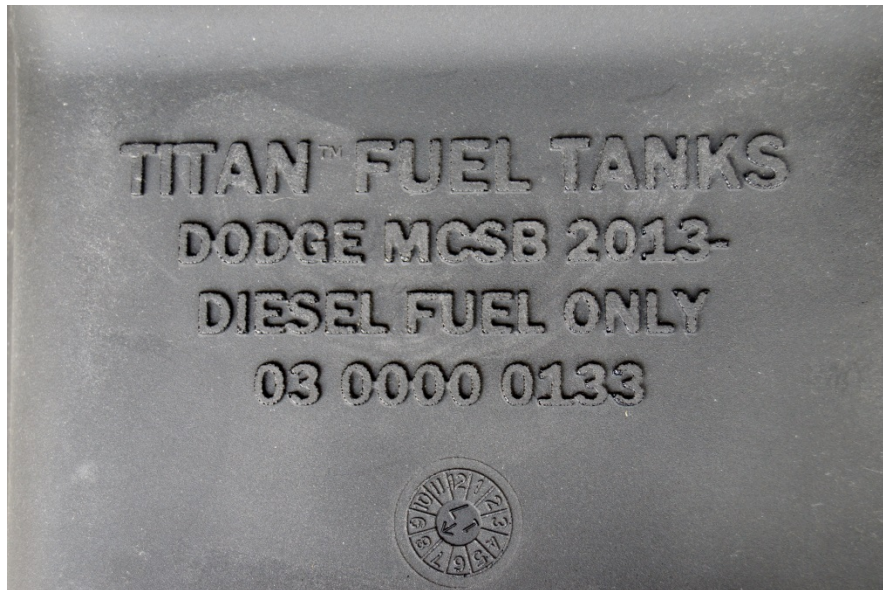
- 1 ea. Hydraulic transmission jack
- 1 ea. Impact wrench
- 1 ea. Vehicle Lift

- 1 ea. Razor blade or sharp bladed knife
- 1 ea. Hook pick or small ice pick

7030213 Parts List:

1ea. Extra heavy-duty 51 gallon* military grade, cross-linked polymer body, (XLHDPE) fuel tank for DODGE diesel trucks:

Tank Body: Crew Cab, Long Bed 2013 --
 "Super Series" **Tank Body Identification:** "DODGE MCSB 2013
 03 0000 0133"



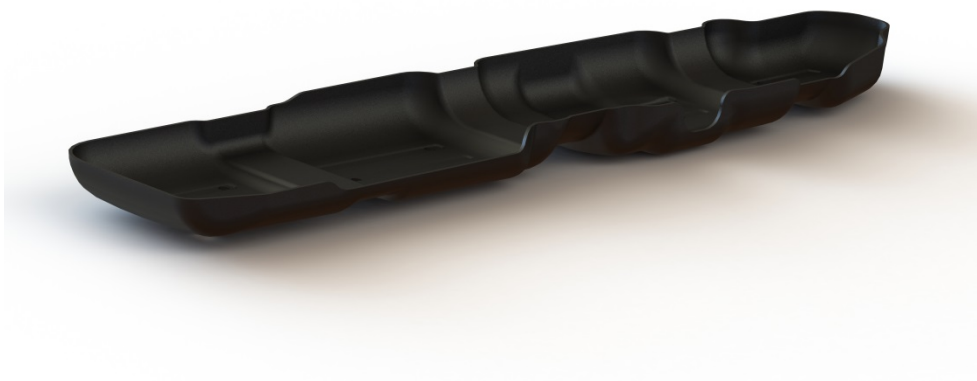
Note: The tank body has the above identification on its top. Please check to be sure the tank is properly identified as the one to fit your vehicle.

- | | | |
|-------|--------------|--|
| 1 ea. | 98 0000 0403 | TITAN Torque Ring-- TOP RING (hold-down ring) |
| 2 ea. | 99 0000 0137 | Rollover Vent, Fill-Stop Valve |
| 1 ea. | 99 0000 0615 | 2" x 5/16" RLA hose |
| 1 ea. | 99 0000 0780 | 45.00" x 5/16" RLA hose |
| 1 ea. | 02 0000 0112 | Hose Barb Elbow installed in insert of tank. |
| 1 ea. | 03 0125 0000 | 2013 RAM MCSB Strap Set |
| 3 ea. | 99 0000 0103 | Strap Bushing, Extruded (<i>NOT included</i> when TITAN Custom Shield is included as with 7030213 <u>S</u>). |
| 1 ea. | 03 0125 0000 | RAM "SS" 2013 Mega Cab, Short-Bed Strap <u>SET</u> |
| 1 ea. | 03 0120 0000 | 2013 RAM MCSB Front Support Assembly |

7030213S Parts List:

Same as above, except "3 ea. 99 0000 0103" is deleted AND the following is added:

1 ea. 03 0119 0000 TITAN DODGE Custom Shield for RAM/Dodge
MCSB (7030213)



Markings on bottom of Shield

IMPORTANT NOTICE: Before installation, be sure to thoroughly inspect inside of the tank for ANY foreign debris!

NOTE: Take a moment and write the new TITAN™ Tank serial number in the back of this instruction booklet now.

I. Remove Original Equipment Tank

<u>Step</u>	<u>Description</u>
1	Place the vehicle on a hoist that leaves the entire underside of the frame unobstructed.
2	Drain all the fuel from the original equipment (OEM) tank using a pump or siphon.
3	Remove OEM tank plastic shield or shell (if applicable) from vehicle. <u>Some</u> vehicles <u>may</u> require the removal of the left rear fender liner and even the wheel to facilitate access to the tank fill and vent hoses (See Fig. 1).



(Fig. 1) Some vehicles may require the removal of the fender liner and perhaps the left rear wheel so as to facilitate access to the tank fill and vent hoses.

- 4 Support the OEM tank.
- 5 Disconnect the fill hose from the OEM tank's king nipple.
- 6 Loosen and remove OEM tank straps by undoing the bolts on straps at inside of tank and the outside of the frame, and lower tank a few inches.
- 7 Disconnect vent line hose line coming from fill spout to tank. Disconnect at fill spout tubing end. Also, disconnect small vent line.
- 8 Disconnect fuel gauge electrical connection from sending unit.
- 9 Disconnect fuel and return lines from the sending unit.
- 10 Remove the OEM tank from the vehicle.

II. Prepare Vehicle and Replacement Tank

<u>Step</u>	<u>Description</u>
11	Loosen the OEM hold-down ring on the sending unit by turning it counter-

Clockwise (See Fig. 2). Before removing the sending unit, notice where the sending unit fuel line nipples and the electrical fitting are pointing or “clocked”, *they will need to be installed the same way, at the same angle in the replacement tank.* Remove the sending unit from the OEM tank. Do NOT reuse factory “O” ring seal.



(Fig. 2) Loosen the hold-down ring on the OEM tank by turning counter-clockwise. Note where the connections on your vehicle’s sending unit are “clocked” and install so they are located in the same position in the new tank.



(Fig. 3) Place the sending unit into the TITAN tank and place the Torque Ring hold-down ring on top, threading it onto the lugs. Tighten the ring by turning it clockwise as far as it will go.



(Fig. 4) Be sure the tab on the sending unit lines up with the “TAB LOCATION” marks on the tank body as shown above.

- 12 Carefully place the sending unit into the new TITAN replacement tank. Make sure the “O” ring gasket is placed properly under the sending unit to seal correctly. Before installing the sending unit into the replacement tank, **BE SURE THE INSIDE OF THE TANK IS FREE OF DIRT OR DEBRIS OF ANY KIND.**
- 13 After placing the sending unit into the tank on top of the “O” ring gasket, rotate it (carefully so as not to displace the “O” ring) so the fuel fittings and electrical connections are positioned (or “clocked”) at the *same* angle as in the OEM tank (See Fig. 4). Be sure the tab on the sending unit lines up with the “TAB LOCATION” marks on the tank body.
- 14 Place the furnished TITAN Torque Ring™ --TOP RING (hold-down ring) on top

- of the sending Unit (See Fig. 3).
- 15 Tighten the Torque Ring (hold-down ring) by turning it clockwise as far as it will go.

III. Install Replacement Tank in Vehicle

- | Step | Description |
|------|---|
| 16 | If the optional TITAN Shield was ordered with the tank, place it under the tank. |
| 17 | Place tank (and shield if included) on a transmission jack. Lift the tank partway into the vehicle and reattach the fuel and return lines, and the electrical connection to the sending unit. Finish lifting the tank into the vehicle and connect the fill and vent line hoses from the fill spout to the tank. Make sure the vent line hose angles downward from the fill spout to the tank and that there are no “sags” (or kinks) in the line or it will not vent properly. Attach the small vent line from the fill spout to the 5/16 line tee in the rollover valve vent line (See Fig. 6). Clamp hoses tightly using OEM clamps on both ends where applicable. |
| 18 | Hang the outboard end of the straps on the vehicle. You may want to straighten the straps some to make them easier to fit around the tank (See Fig. 12). |
| 19 | If optional TITAN Shield is NOT to be installed, you will need to install the rubber bushings on both straps when you place them around the tank body. Place the bushings so they are centered in the bottom of the straps with the bushing’s channel side toward the strap. Press the bushings securely into place (See Fig. 5). A bushing is also included for the Front Support Assembly. |



(Fig. 5) If optional TITAN Shield is not to be installed, place rubber bushings (pn 99 0000 0103) on both straps and the Front Support with the channel side toward the strap.

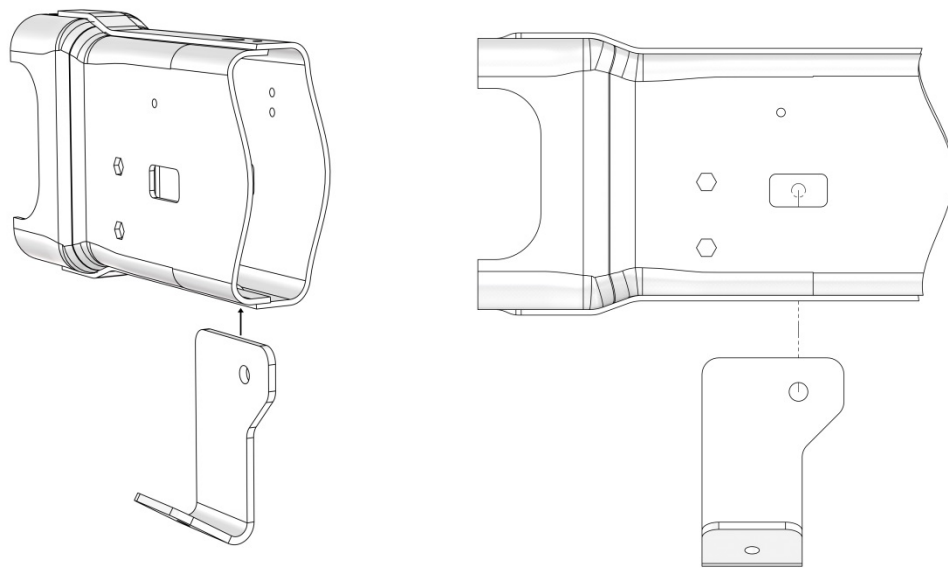


(Fig. 6) Photo shows the fill and main vent hoses transferred and installed on new TITAN tank. Note the 5/16” hose between the two rollover valves. The small line from the vehicle’s fill spout will attach to the tee in this line.

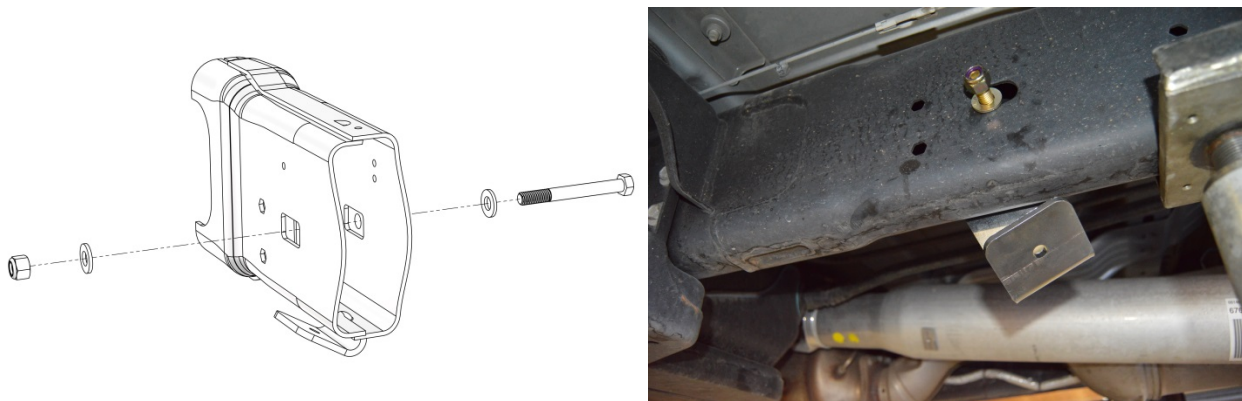
- 20 Install the “03 0120 0000 2013 RAM MCSB Front Support Assembly”. This should be done before the tank body is put into place and the straps are installed using the following procedure (Figs. 8 - 11):



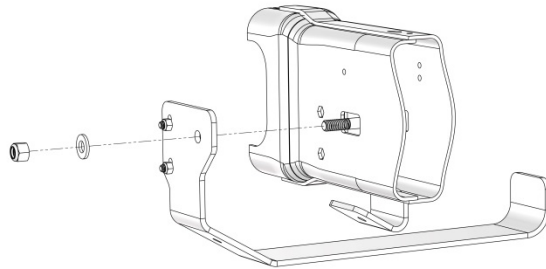
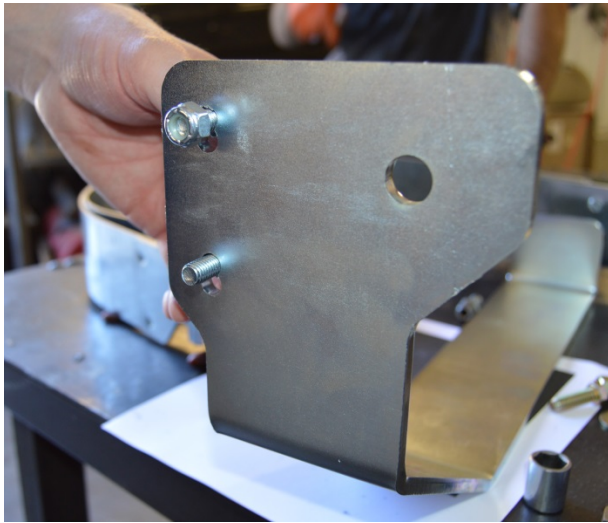
(Fig. 7) 2013 RAM MCSB Front Support Assembly, Installed. Pt. no.: 03 0120 0000



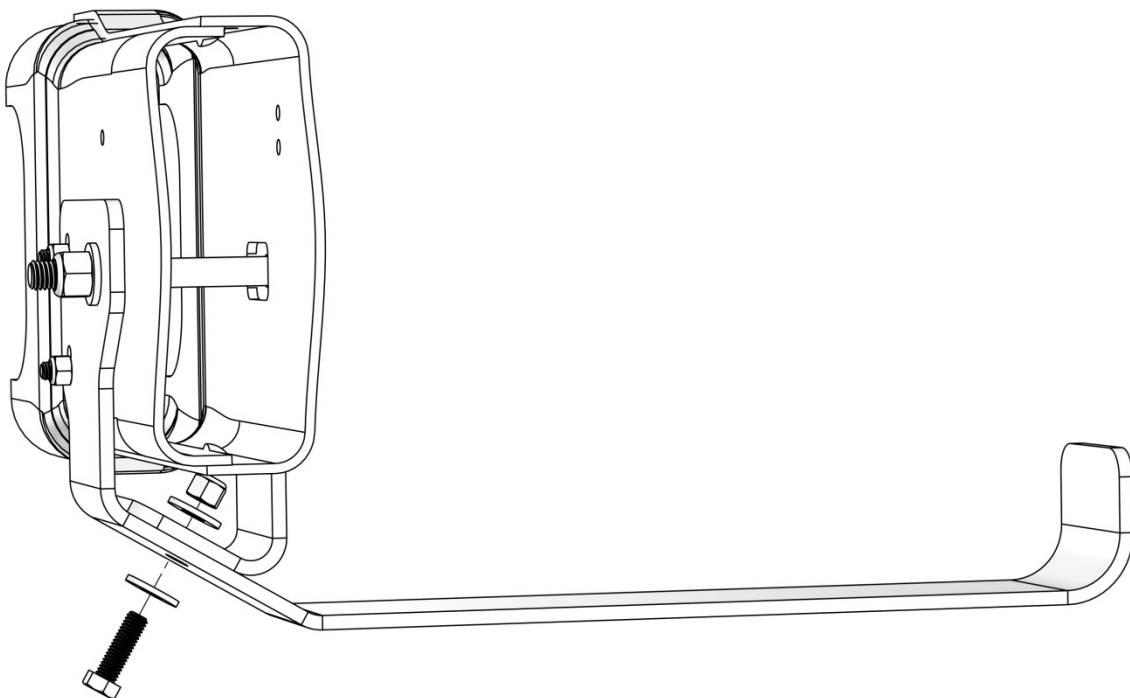
(Fig. 8) First, line up the Inner Piece of the Front Support with the existing rectangular hole on the inside of the truck frame as shown above.



(Fig. 9) Next, place the 1/2" cap screw with washers, through the Inner Piece and the vehicle frame as shown. Leave the cap screw loose for now.



(Fig. 10) Place $\frac{1}{4}$ " cap screws in the two smaller front holes of the Horizontal Support Bracket. Leave them loose enough that they can be turned so the hex heads of the cap screws can be lined up with, and fit into the existing hex holes on the vehicle frame. There are two sets of holes for the cap screws; an upper and lower. Line the larger hole of the bracket up with the center of the rectangular hole in the frame to see which set of holes line up best for the $\frac{1}{4}$ " cap screws. When in place, the hex heads of the $\frac{1}{4}$ " cap screws resting in the two hex holes in the frame, will keep the Front Support Assembly from rotating.



(Fig. 11) After putting the tank body into place, finish installing the Front Support Assembly by bolting the Horizontal Support Bracket into place with the $\frac{1}{2}$ " and $\frac{3}{8}$ " cap screws as shown above. **Using a torque wrench, be sure to tighten the fasteners to the following specifications:** $\frac{1}{2}$ " cap screw: 40 lb. ft., $\frac{3}{8}$ " cap screw: 30 lb. ft., $\frac{1}{4}$ " cap screws: 5 lb. ft.



(Fig. 12) You might want to straighten the tank straps a little to aid in installation.



(Fig. 13) View of installed tank from under vehicle.

- 21 Attach the inboard ends of the straps. Tighten the bolt and bracket to factory specifications. Tap straps with a mallet, if needed, to form them against the bottom of the tank.
- 22 Make sure ALL mounting hardware, clamps, bolts, etc. are properly installed and TIGHT. Double check it.
- 23 **IMPORTANT! Lower vehicle, fill tank completely with diesel fuel and check for leaks.**



Installation Complete!

Go to TITAN's website to view video installation instructions and tips.

* All capacities are approximate

Be sure to return the completed warranty registration for your new Titan fuel tank; or you can register on-line at www.titanfueltanks.com

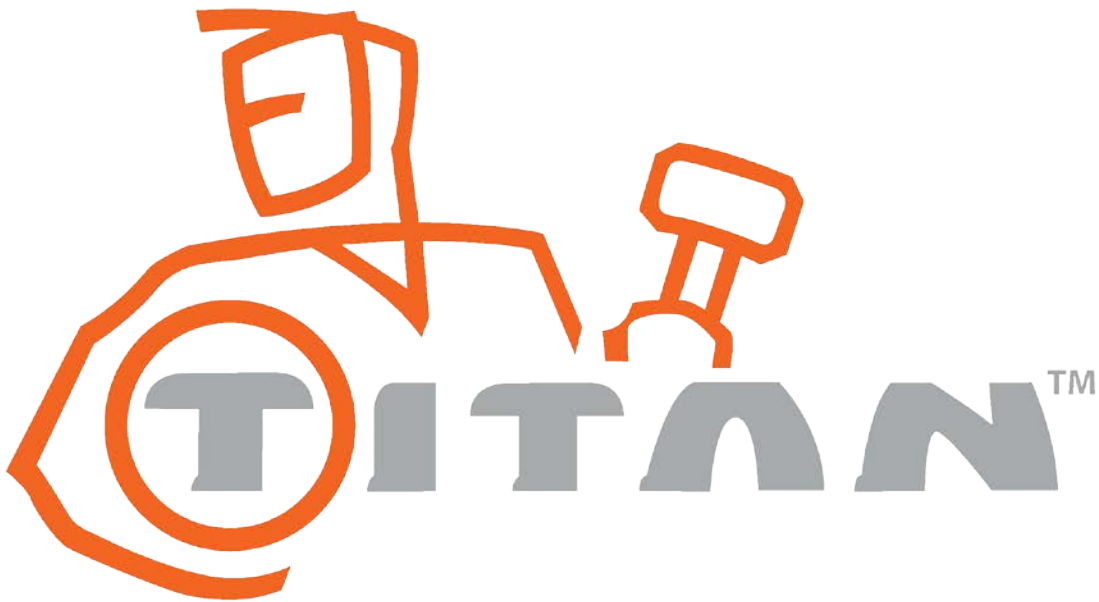
You will find your tank's serial number located approximately ½ way up the driver's side located towards the rear of the tank; adjacent to the sending unit.

Write your tank's Serial Number here: _____

A tank must be registered within sixty (60) days of receipt for the warranty to be valid.

Warranty is void if product is improperly installed.

For questions or customer service call **(800) 728-4982**



TITAN Fuel Tanks

P.O. Box 2225

Idaho Falls, ID 83403 USA

Telephone (208) 522-1325, FAX (208) 529-2162

www.titanfueltanks.com

TITAN Fuel Tanks are PROUDLY MADE IN THE USA

Revised 09.07.17

©2017 Supertanks, LLC. All rights reserved.