

INSTALLATION MANUAL

7100

Level of Difficulty

Easy

Installation difficulty levels are based on time and effort involved and may vary depending on the installer level of expertise, condition of the vehicle and proper tools and equipment.

Parts List

Qty	Description
1	Grille guard assembly
2	Mounting bracket
2	Upper support bracket
4	Spacer bracket
6	Carriage bolt, M12
6	Acorn nut, M12
6	Lock washer, M12
6	Flat washer, M12
2	Socket head bolt, M8
2	Nylock nut, M8
4	Flat washer, M8
8	Double-sided adhesive tape

Tools Required

Panel trim removal tool	Wrench, 13mm
Socket wrench	Torque wrench
Socket, 14mm	Torx plus bit, TP40
Socket, 19mm	Utility knife
Hex wrench, 5mm	--

Torque Specifications

M8 bolt	19 ft.-lbs.
M12 bolt	100 ft.-lbs.

Use above torque setting unless otherwise noted

Product Photo



NOTICE

Visit www.ariesautomotive.com for a full-color copy of this instruction manual, as well as helpful videos, guides and much more!

Before you begin installation, read all instructions thoroughly.

Proper tools will improve the quality of installation and reduce the time required.

Periodic inspection of your product should be performed to ensure all hardware and / or components remain secure.

To help prevent damage to the product or vehicle, refer to the specified torque specifications when securing hardware during the installation process.

Maintenance

Mild automotive detergent may be used to clean the product. Do not use dish detergent, abrasive cleaners, abrasive pads, wire brushes or other similar products that may damage the finish.

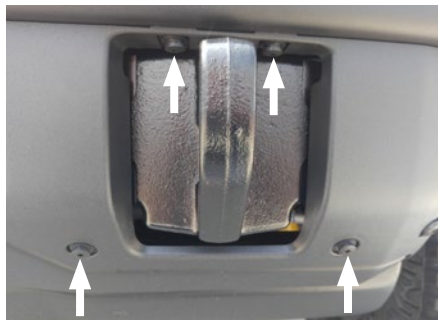
Product Registration and Warranty

ARIES stands behind our products with industry-leading warranties. To get copies of the product warranties, register your purchase or provide feedback, visit: warranty.curtgroup.com/surveys

MODULAR FRONT BUMPER

Step 1

Remove the four clips securing the tow hook cover on the bumper and remove the tow hook cover.



Step 2

Remove the three M12 bolts securing the tow hooks to the vehicle.

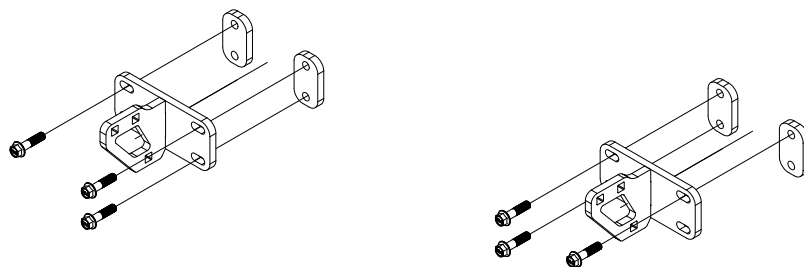
Note: The hardware will be reused. The tow hooks will not be reused.

Note: Only remove bolts from one side of the vehicle at a time. Removing bolts from both sides may cause the bumper to detach from the vehicle.

Step 3

Reusing the factory hardware, install two spacer plates and a mounting bracket where the factory tow hook was removed.

Loosely secure the hardware.
Do not fully tighten at this time.



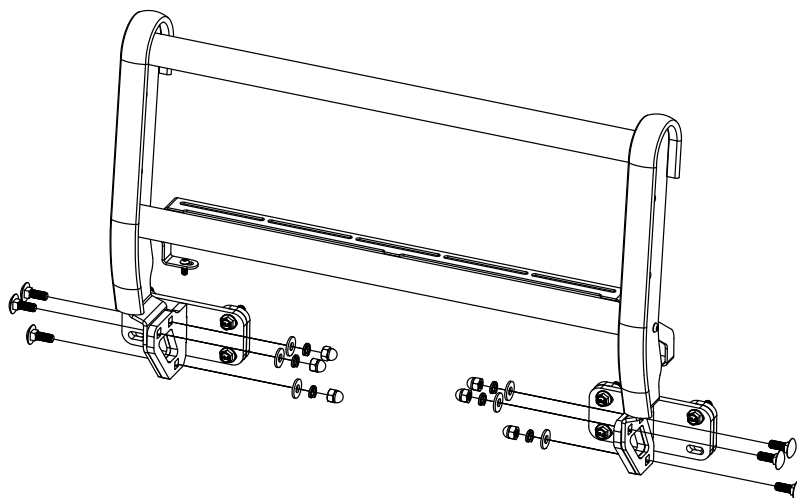
Step 4

Repeat steps 1-3 for the other side of the vehicle.

Step 5

Secure the grille guard assembly to the mounting brackets using the M12 carriage bolts, flat washers, lock washers and acorn nuts.

Tighten all hardware to the recommended torque specifications listed on page 1.



Step 6

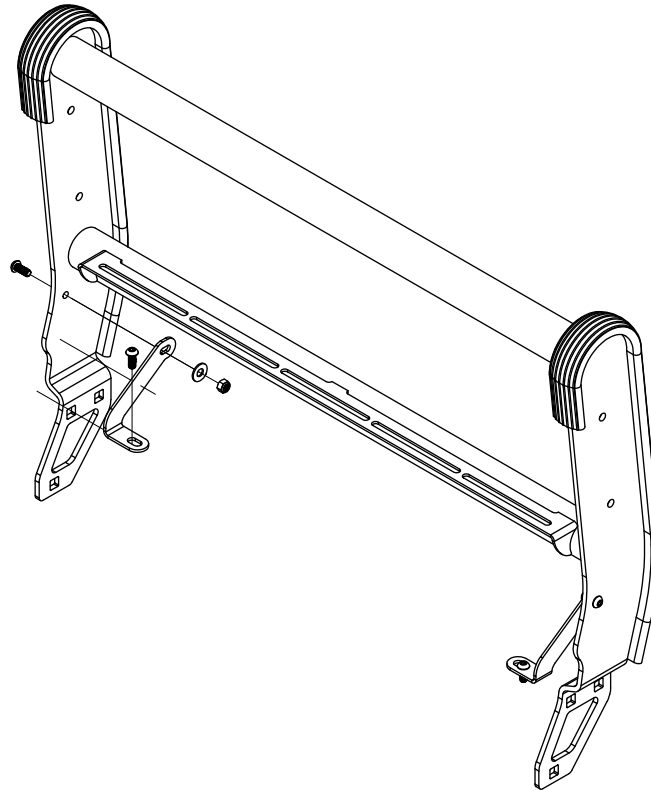
Remove the two factory 'accessory' bolts from the top of the bumper. Secure the upper support brackets to the bumper reusing the factory hardware.



Step 7

Secure the upper support brackets to the grille guard assembly using the provided M8 bolts, washers and lock nuts.

Tighten all hardware to the recommended torque specifications listed on page 1.



Step 8

Reinstall the factory tow hook covers removed in step 1.

With the bull bar installed, periodic inspections should be performed to ensure all mounting hardware remains tight.

To protect your investment, see the 'Notes and Maintenance' section on page 1.

Congratulations on the installation of your new ARIES ForeFront™ Bull Bar.

BASE PLASTIC BUMPER

Step 1

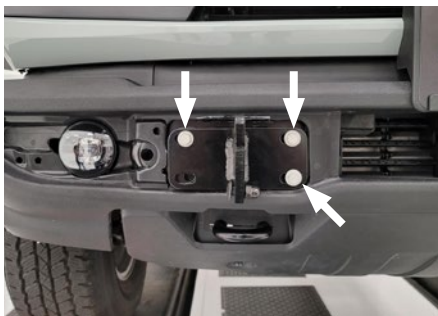
On one side of the vehicle, remove the center bumper covers by pulling them away from the vehicle.

Step 2

Remove the three M12 bolts securing the bumper to the vehicle. Hold a mounting bracket over the three bolt hole locations and, using the bracket as a template, trace and cut out the plastic where the mounting bracket will attach.

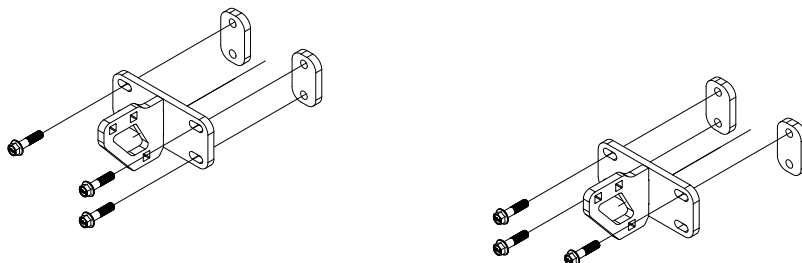
Note: the hardware will be reused.

Note: Only remove bolts from one side of the vehicle at a time. Removing bolts from both sides may cause the bumper to detach from the vehicle.



Step 3

Reusing the factory hardware attach two spacer plates and a mounting bracket, leave loose at this time.



Step 4

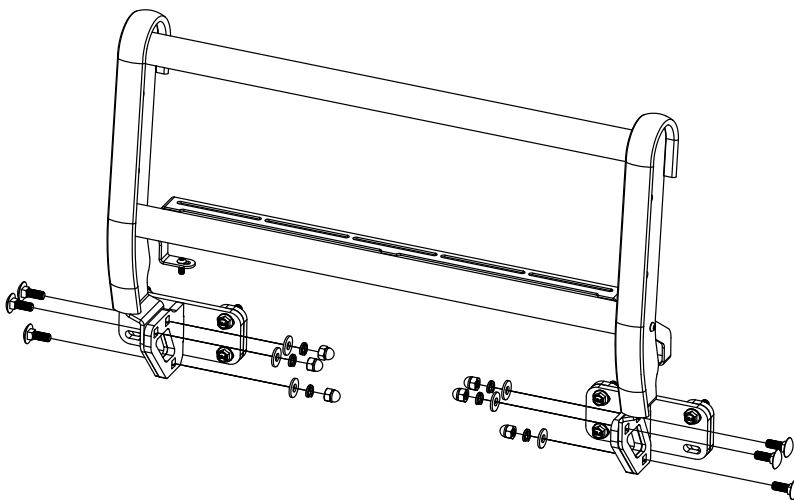
Repeat steps 1-3 for the other side of the vehicle.

Step 5

Secure the grille guard assembly to the mounting brackets using the M12 carriage bolts, flat washers, lock washers and acorn nuts.

Tighten all hardware to the recommended torque specifications listed on page 1.

Remove the grill guard.



Step 6

Hold the bumper cover up to the bumper and mark and cut the bumper cover where it fits over the mounting bracket.

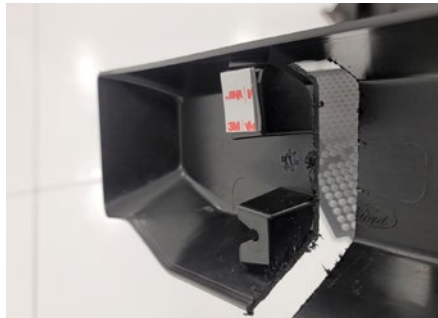
Repeat on the other side of the vehicle.



Step 7

Place a piece of double-sided foam adhesive on each of the remaining standoffs and attach the cover back on the vehicle.

Note: Extra foam has been provided in case it needs to be double stacked.



Step 8

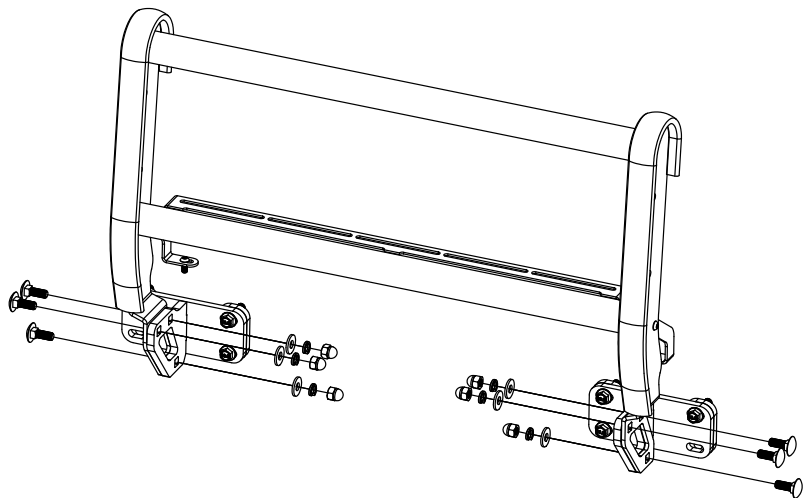
Reattach the grille guard to the mounting brackets using the M12 hardware.

Note: On vehicles equipped with the base plastic bumper, the upper support brackets and M8 hardware are not used and may be discarded.

With the bull bar installed, periodic inspections should be performed to ensure all mounting hardware remains tight.

To protect your investment, see the 'Notes and Maintenance' section on page 1.

Congratulations on the installation of your new ARIES ForeFront™ Bull Bar.



CAPABLE BUMPER

Step 1

On one side of the vehicle remove the tow hook cover by pulling them away from the vehicle.



Step 2

Remove the three M12 bolts securing the tow hook and bumper to the vehicle.

Note: The hardware will be reused.
The tow hooks will not be reused.

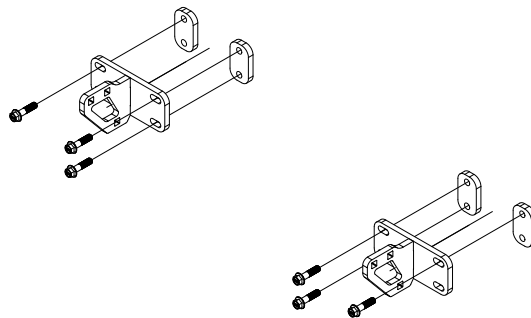
Note: Only remove bolts from one side of the vehicle at a time. Removing bolts from both sides may cause the bumper to detach from the vehicle.



Step 3

Reusing the factory hardware, secure two spacer plates and a mounting bracket.

Loosely secure the hardware.
Do not fully tighten at this time.



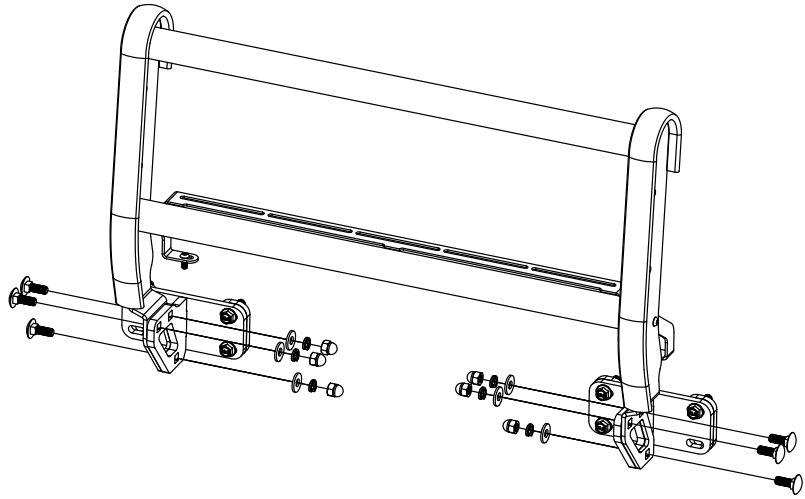
Step 4

Repeat steps 1-3 for the other side of the vehicle.

Step 5

Secure the grille guard to the brackets using the M12 carriage bolts, flat washers, lock washers and acorn nuts. Tighten all hardware.

Note: On vehicles equipped with the capable bumper, the upper support brackets and M8 hardware are not used and may be discarded.



Step 6

Reinstall the tow hook covers removed in step 1.

Note: Some trimming of the tow hook covers may be required.