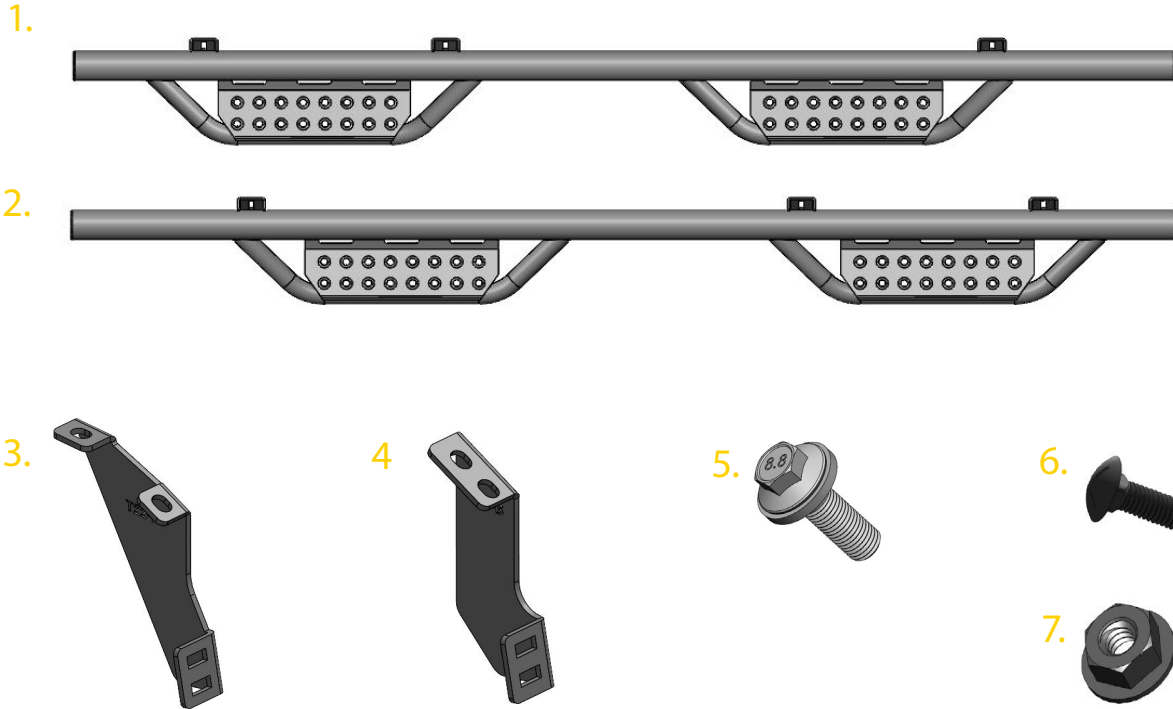


## Components and Hardware:



## Components and Hardware:

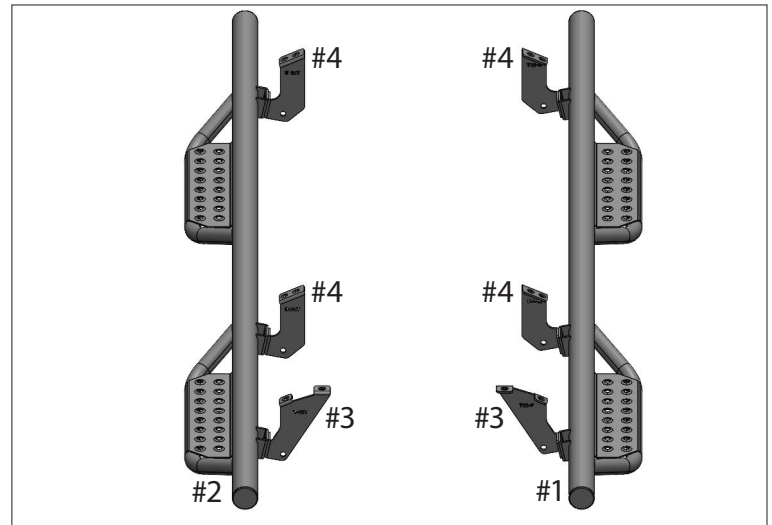
1. Driver side step.....	(1)
2. Passenger side step.....	(1)
3. Front bracket.....	(2)
4. Rear bracket.....	(4)
5. M8x30mm flanged hex bolt.....	(12)
6. M10x25mm carriage bolt.....	(12)
7. M10 hex nut.....	(12)

## Tools for Installation:

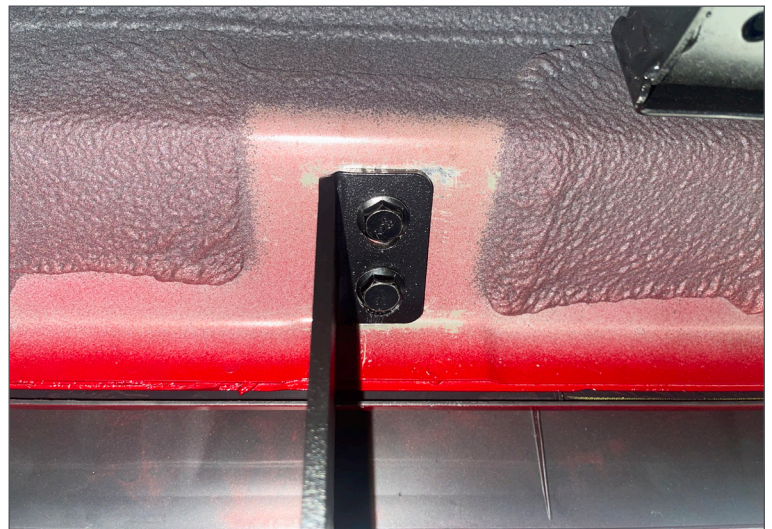
- 12mm socket
- 14mm socket
- Ratchet wrench

## INSTALL

Step 1. Install the (x2, #3) and (x4, #4) mounting brackets to each attachment point on the (#1, #2) main tubes using the supplied (#6) M10x25 carriage bolts, (#7) M10 hex nuts and leave loose for now.



Step 2. Remove OE boards if equipped and discard. Clean any dirt or debris from mounting holes and surface.  
 Step 3. Beginning with the (#1) driver side, carefully raise step rail into place and match the brackets with the factory mounting locations. Next, starting with the center bracket and using the supplied (#5) M8X30mm Hex cap with washer, start and leave loose.  
 Step 4. Start the remaining hardware with the front and rear brackets and leave loose.



Step 5. Next, tighten the three lower bolts first following with the three upper bolts (15-20 ft./lbs. torque).  
 Step 6. Finish by tightening the (x3) mounting brackets (#6 and #7 fastener) at the main tube (32 ft./lbs. torque).  
 Step 7. Repeat procedures with passenger side.

