



AUTOMOTIVE PRODUCTS,

INSTALLATION INSTRUCTIONS

6" PREMIER AND 4" OVAL TUBE MOUNT KIT

APPLICATION:

1997-2014 Ford Expedition

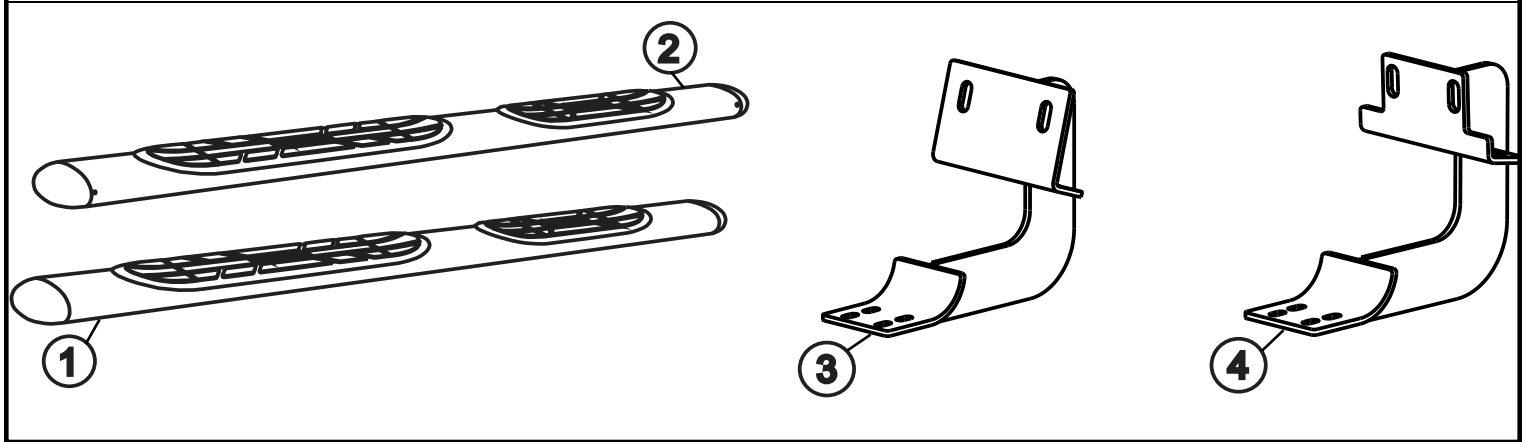
2007-2014 Ford Expedition EL

PART NUMBER:

22-1105

ITEM	QUANTITY	DESCRIPTION	TOOLS NEEDED
1,2	2	OVAL TUBE, PASSENGER (1) AND DRIVER (2) (SOLD SEPERATLEY)	1/2" SOCKET
3	2	FRONT BRACKET	7/16" SOCKET
4	2	REAR BRACKET	10MM SOCKET
5	12	M8 HEX HEAD BOLT	RATCHET
6	8	M8 HEX NUT	TORQUE WRENCH
7	4	5/16-18 X 1.00" SELF TAPPING SCREW	
8	20	5/16" FLAT WASHER	
9	12	5/16" LOCK WASHER	
10	4	MOUNT ADAPTER PLATE (INCLUDED WITH STEP BARS)	
11	16	M6 LOCK NUT (INCLUDED WITH STEP BARS)	
12	16	M6 FLAT WASHER (INCLUDED WITH STEP BARS)	
13	4	6 INCH ADAPTER PLATE (INCLUDED WITH STEP BARS)	

ANTI-SEIZE LUBRICANT MUST BE USED ON ALL STAINLESS STEEL FASTENERS TO PREVENT THREAD DAMAGE AND GALLING



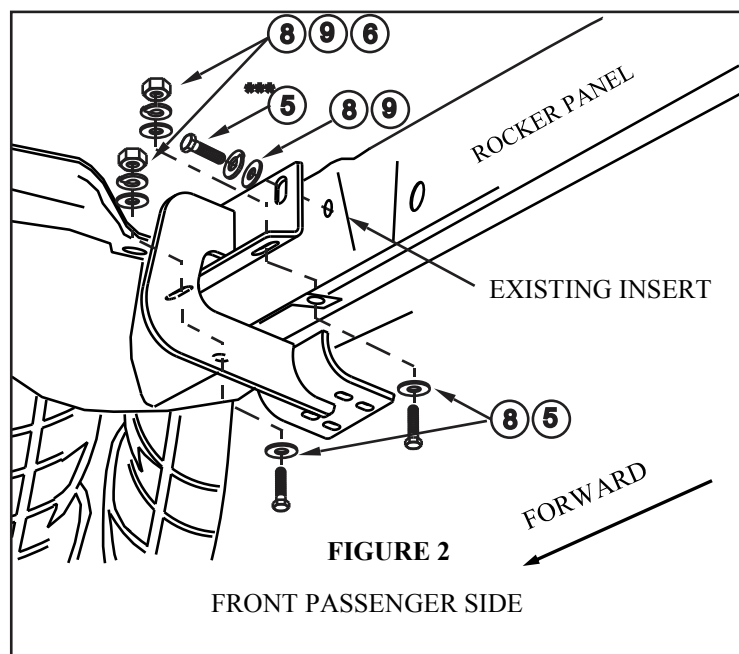
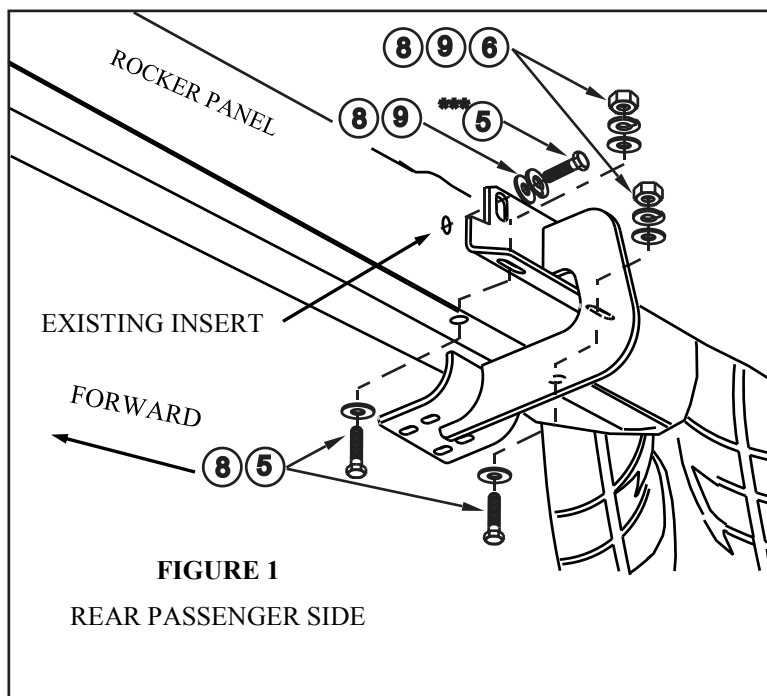
Westin Automotive Products, Inc.
320 W. Covina Blvd
San Dimas, Ca. 91773

Thank you for choosing Westin products
for additional installation assistance please call
Customer Service (800) 793-7846

www.westinautomotive.com

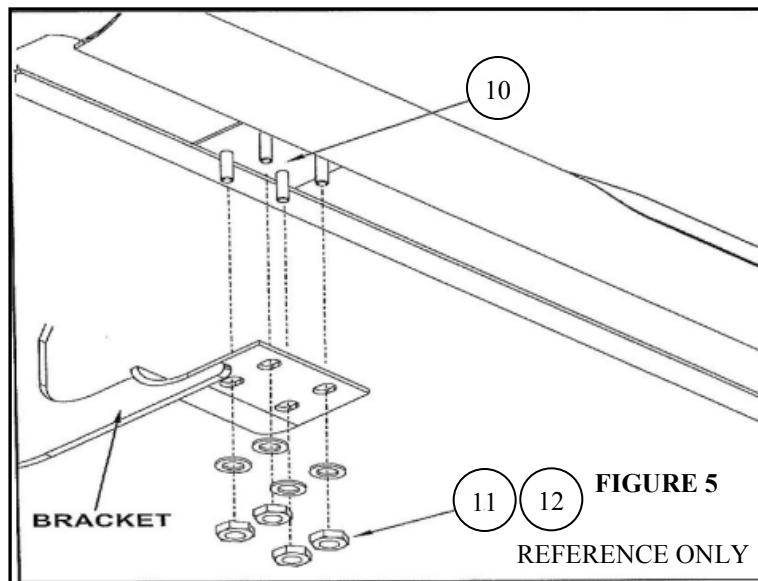
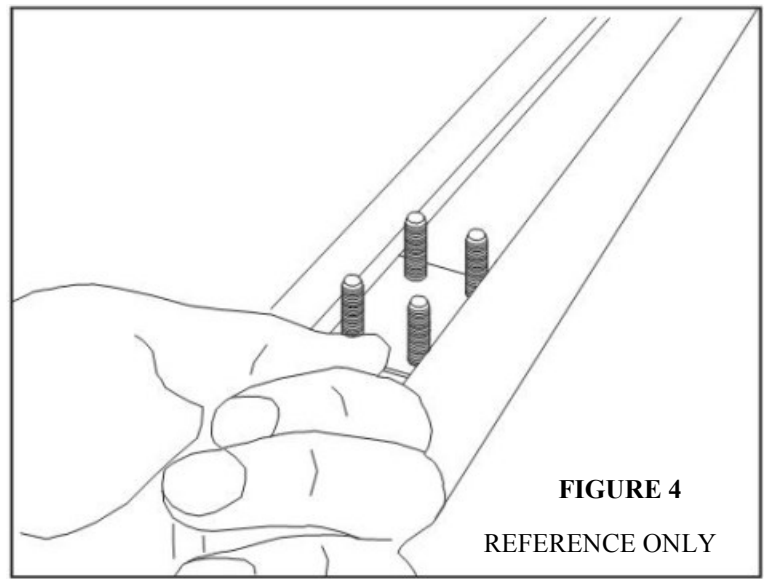
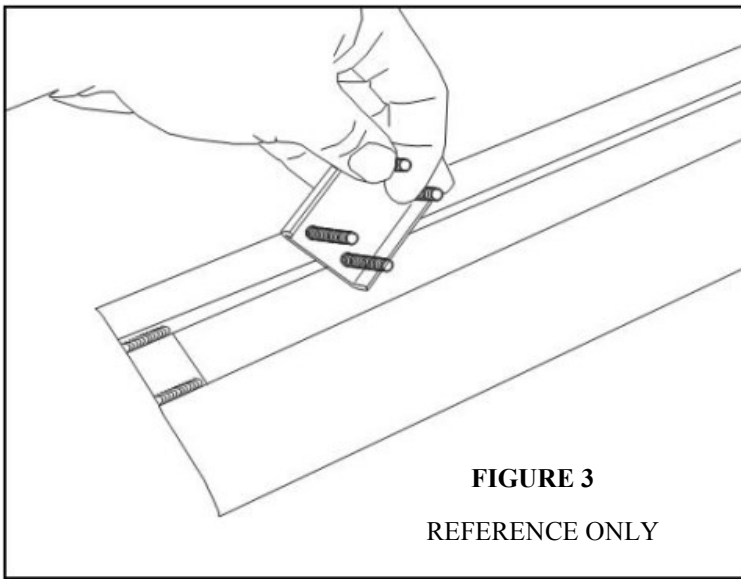
PROCEDURE

1. Remove contents from box, verify if all parts listed are present and free from damage.
Carefully read and understand all instructions before attempting installation.
Failure to identify damage before installation could lead to a rejection of any claim.
2. Remove any tape on inside rocker panel that covers the mounting holes.
NOTE: 5/16" self tap bolts replace 1 M8 bolts per bracket if factory holes are not tapped for M8 bolts.
Tighten and torque 5/16" bolts to 15 FT.LBS. **WARNING:** Do not use 5/16" self tapping hardware in factory threaded hole, 4 bolts should be left over. Do not install them.
3. Attach rear bracket to underside of body panel as shown. Hand tighten. **See FIGURE 1. NOTE:** One slot will remain unused on driver and passenger side rear bracket.
4. Attach front bracket to underside of body panel as shown. Hand tighten. **See FIGURE 2. NOTE:** One slot will remain unused on driver and passenger side front bracket.
5. Slide mount adapter plates on step bar as shown. Place step bar on saddle with long pad forward and end cap screw facing inward. Assemble with M6 hardware. **See FIGURES 3, 4, & 5.** Reference installation sheet, 75-0820, Oval Tube Mount Adapter Kit.
6. Make sure step bar and brackets are properly aligned with vehicle and tighten fasteners. Recommended torque values are 16 FT.LBS. for M8 fasteners, 7 FT.LBS. for 1/4" fasteners.
7. Repeat installation for driver side.



Westin Automotive Products, Inc.
320 W. Covina Blvd
San Dimas, Ca. 91773

Thank you for choosing Westin products
for additional installation assistance please call
Customer Service (800) 793-7846



CARE INSTRUCTIONS

- REGULAR WAXING IS RECOMMENDED. DO NOT USE ANY TYPE OF POLISH OR WAX THAT MAY CONTAIN ABRASIVES.
- STAINLESS STEEL PRODUCTS CAN BE CLEANED WITH MILD SOAP AND WATER. STAINLESS STEEL POLISH SHOULD BE USED TO POLISH SMALL SCRATCHES.
- GLOSS BLACK FINISHES SHOULD BE CLEANED WITH MILD SOAP AND WATER.



Westin Automotive Products, Inc.
320 W. Covina Blvd
San Dimas, Ca. 91773

Thank you for choosing Westin products
for additional installation assistance please call
Customer Service (800) 793-7846