



INSTALLATION INSTRUCTIONS

SURE-GRIP RUNNING BOARDS

APPLICATION:

2007-2013 Chevrolet Silverado / GMC Sierra 1500 Regular Cab

2007-2014 Chevrolet Silverado / GMC Sierra 2500/3500 Regular Cab

PART NUMBER:

Mount Kit: 27-1735

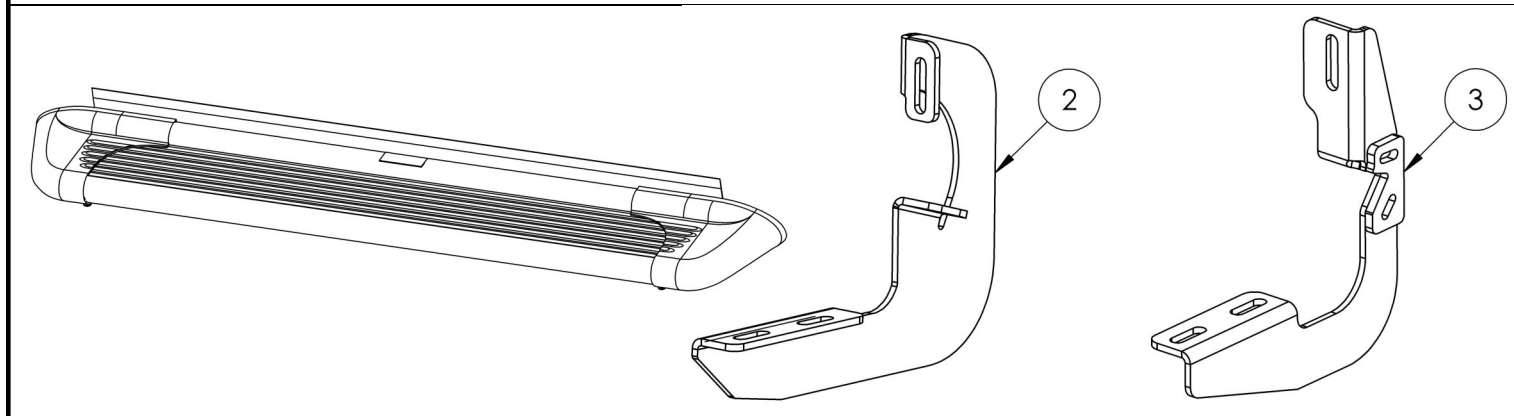
Sure-Grip Running Board: 27-6100, 27-6105

Sure-Grip Optional Light Kit: 27-6000

AUTOMOTIVE PRODUCTS, INC.

ITEM	QUANTITY	DESCRIPTION	TOOLS NEEDED
1	2	STEP BOARD (PURCHASED SEPERATELY)	13MM SOCKET
2	3	MOUNT BRACKET	13MM WRENCH
3	1	THIN MOUNTING BRACKET	1/2" SOCKET
4	8	M8 HEX HEAD BOLT	RATCHET
5	4	M8 HEX NUT	TORQUE WRENCH
6	4	M8 EXTRUDED U-NUT	
7	8	5/16-18 X .75 SQUARE HEAD BOLT	
8	20	5/16" FLAT WASHER	
9	8	5/16" LOCK WASHER	
10	8	5/16" LOCK NUT	

ANTI-SEIZE LUBRICANT MUST BE USED ON ALL STAINLESS STEEL FASTENERS TO PREVENT THREAD DAMAGE AND GALLING



PROCEDURE

1. Remove contents from box, verify if all parts listed are present and free from damage. Carefully read and understand all instructions before attempting installation.
Failure to identify damage before installation could lead to a rejection of any claim.
2. Attach mounting brackets as shown. **See Figures 4, 5, 6, 7, 11 and 12.** For late model (2011-2014) diesel trucks SEE PG. 5 for the front passenger side mounting bracket.
3. Insert square head bolts as shown (2 per slot, 4 per board). **See Figures 2 and 3.** **NOTE:** For lighted boards, run wiring harness prior to attaching board to brackets (refer to step 6). Run longer wire harness on passenger side.

CARE INSTRUCTIONS

- REGULAR WAXING IS RECOMMENDED. DO NOT USE ANY TYPE OF POLISH OR WAX THAT MAY CONTAIN ABRASIVES.
- STAINLESS STEEL PRODUCTS CAN BE CLEANED WITH MILD SOAP AND WATER. STAINLESS STEEL POLISH SHOULD BE USED TO POLISH SMALL SCRATCHES.
- GLOSS BLACK FINISHES SHOULD BE CLEANED WITH MILD SOAP AND WATER.



Westin Automotive Products, Inc.
320 W. Covina Blvd
San Dimas, Ca. 91773

4. For Sure-Grip Running Boards, slide closure strip as shown. Set lights (if purchased) in appropriate location. Attach to Sure-Grip Running Board as shown. **See Figure 1.** Drill hole through plastic strip and run wires as shown. **See Figure 8.**
5. Attach board to brackets as shown. Make sure board and brackets are properly aligned and tighten fasteners. Recommended torque values are 10 ft-lbs for 5/16" square head fasteners and 23 ft-lbs for M8 fasteners. **See Figure 9.**
Note: For lighted version of Step Board, remove plastic cover from each end of under side of board. Proceed to Steps 6-7.

WARNING: INSTALLING LIGHT HARNESS REQUIRES SPLICING INTO VEHICLE'S ELECTRICAL SYSTEM. WESTIN RECOMMENDS USING A PROFESSIONAL FOR THIS INSTALLATION. **NOTE:** AVOID AREAS OF EXCESSIVE HEAT, VIBRATION, PINCH OR ROTATION WHEN SECURING HARNESS TO VEHICLE.

CAUTION: ALWAYS USE A FUSED(+) POSITIVE SUPPLY SOURCE. UNDERCOAT SEAL FOR HARSH WEATHER.

HINT: Step Boards: For longevity, check rubber seals before installation. Rubber grommets around red and blue wires going into rear sockets, should be inserted and recessed about 1/4". **NOTE:** Remove bulbs and apply white grease into sockets and replace bulbs. Apply RTV Silicone where lights go into socket. Install lights and run wire loom as shown. **See Figure 3.** For Sure-Grip Running Boards, run wire loom down center as shown. **See Figure 2.**

6. Determine whether your vehicle has a positive or negative switching courtesy system or an auxiliary light source (most Fords). Obtain accurate wiring diagram for your vehicle's courtesy light system.
For positive and negative switching: Locate a pass-through point, usually under carpet at driver side door sill) for the wire harness. Locate main courtesy wire (usually wire lead to dome light). **NOTE:** If you do not use the main courtesy wire, lights will only function when one door is open. Route wire harness so that the 2 female connections (from the step board) are nearest to pass thru point. *Connect opposite step board lead to either connection. Connect the splicing lead to remaining female socket and route one wire thru pass thru point. **See Figure 10.**

VERY IMPORTANT - Double check that your system has positive or negative switching.

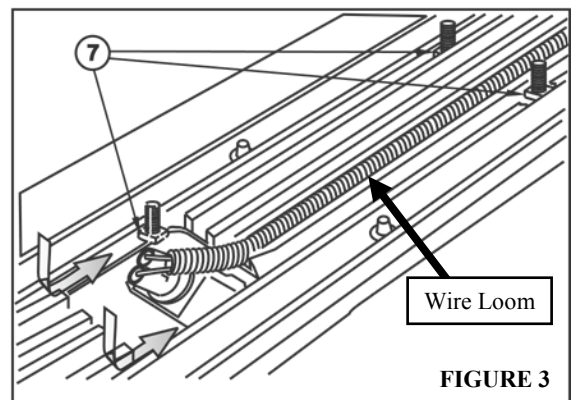
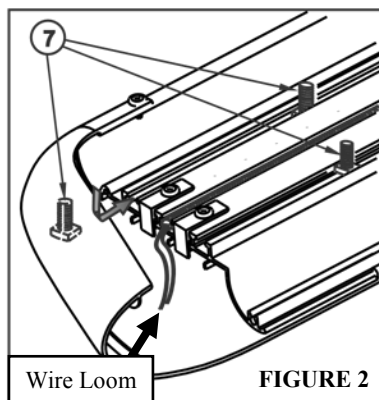
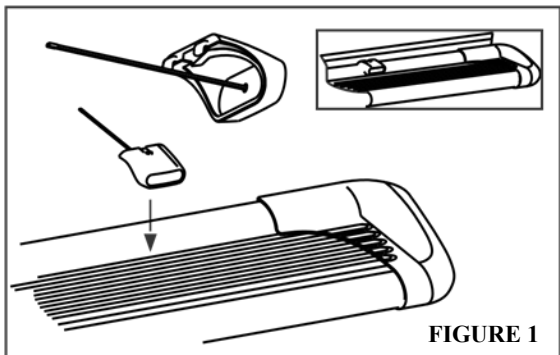
For positive switching only: Connect positive wire to main courtesy system, (usually wire lead to dome light). **TEST CONNECTIVITY BEFORE CONNECTING BY OPENING AND CLOSING ALL DOORS.** Ground remaining wire.

For negative switching only: Connect negative wire to main courtesy system, (usually wire lead to dome light but sometimes from dome light to courtesy ECU). **TEST GROUND CONTINUITY BEFORE CONNECTING BY OPENING AND CLOSING ALL DOORS.** Connect remaining wire to battery using a 5A fuse.

**Be sure that you have not routed any wires near moving parts (i.e.. Driveshaft) or dear any heat generating source (i.e.. Transmission, engine, exhaust).

Auxiliary Light source: Locate auxiliary light source connection under vehicle (usually attached to back side of front or rear fender well (refer to vehicles owners manual). **See Figure 10.** **TEST SOURCE BEFORE CONNECTING.** Connect splicing leads to aux light source. Test step board lights for proper function by opening and closing doors.

7. Under-coat board, brackets and electrical wires, connection and lenses for harsh weather conditions. Reinstall plastic cover on.



Westin Automotive Products, Inc.
 320 W. Covina Blvd
 San Dimas, Ca. 91773

Thank you for choosing Westin products
 for additional installation assistance please call
 Customer Service (800) 793-7846

www.westinautomotive.com

DATE: 4/14/16

ALL 2011 - 2014 DIESEL SILVERADO/SIERRA:REG.CAB



FRONT PASSENGER SIDE

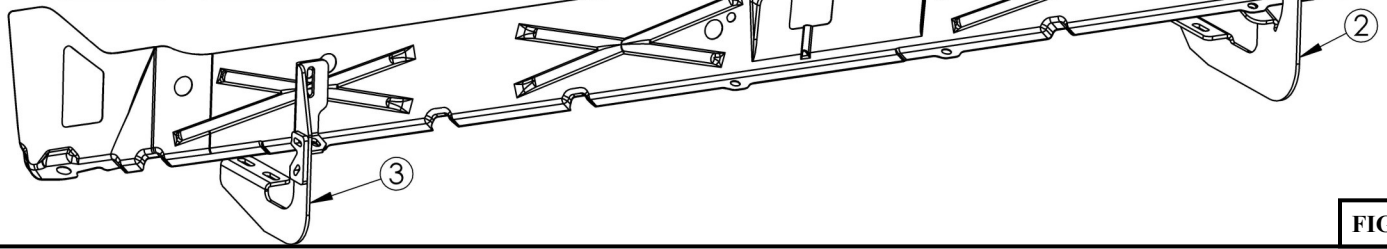
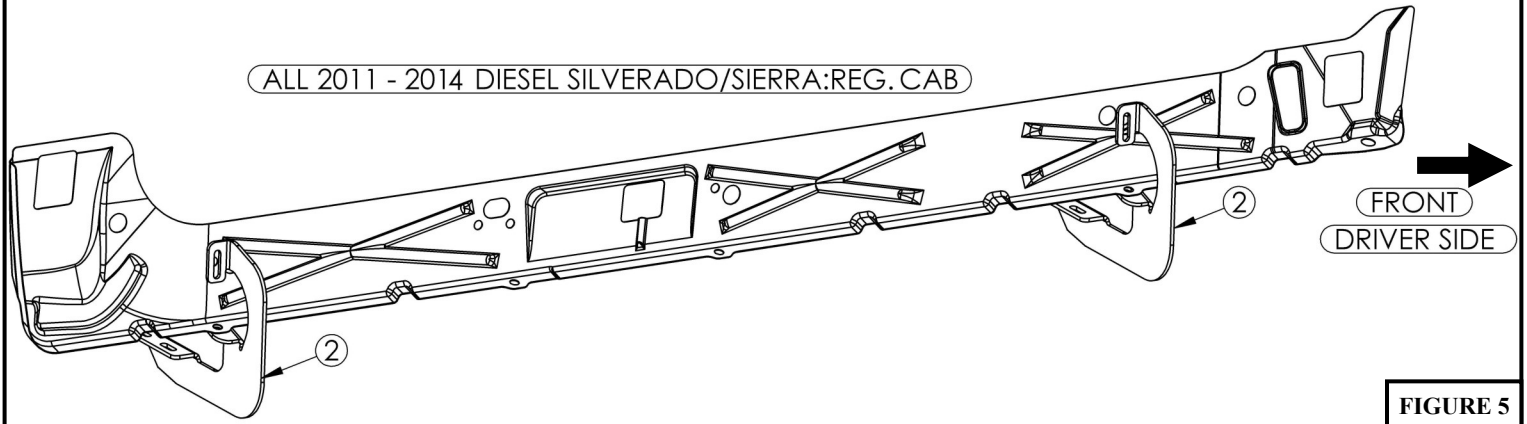


FIGURE 4

ALL 2011 - 2014 DIESEL SILVERADO/SIERRA:REG.CAB



FRONT DRIVER SIDE

FIGURE 5

ALL 2007 - 2010 DIESEL & 2007 - 2014 GAS SILVERADO/SIERRA:REG.CAB



FRONT PASSENGER SIDE

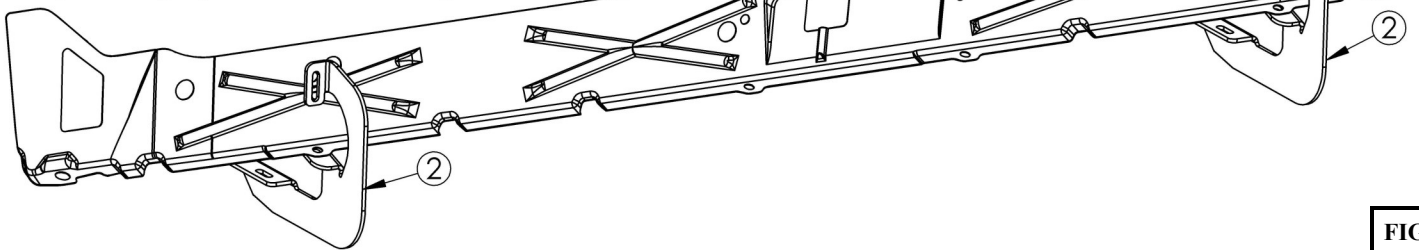
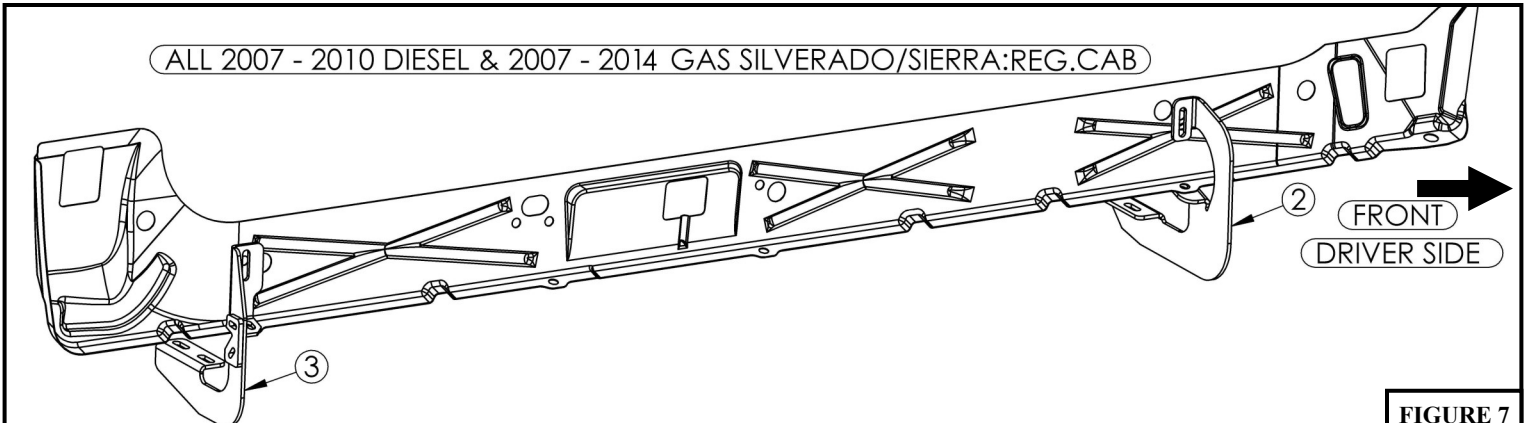


FIGURE 6

ALL 2007 - 2010 DIESEL & 2007 - 2014 GAS SILVERADO/SIERRA:REG.CAB



FRONT DRIVER SIDE

FIGURE 7



Westin Automotive Products, Inc.
320 W. Covina Blvd
San Dimas, Ca. 91773

Thank you for choosing Westin products
for additional installation assistance please call
Customer Service (800) 793-7846

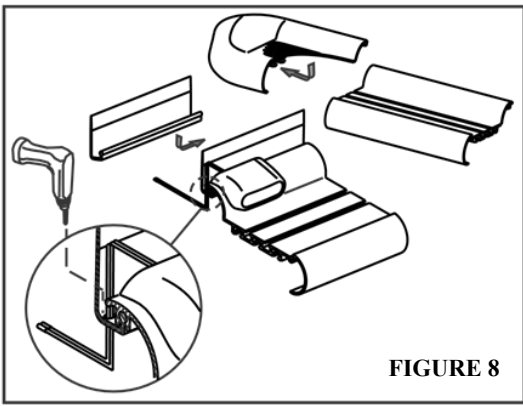


FIGURE 8

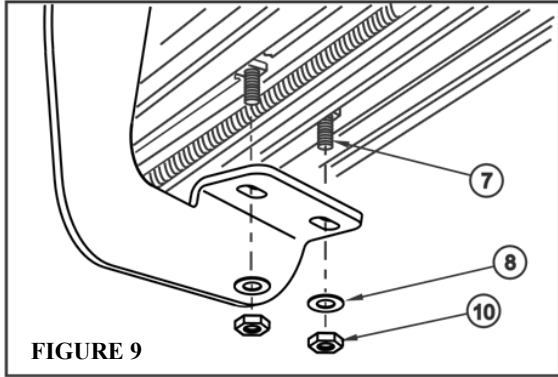


FIGURE 9

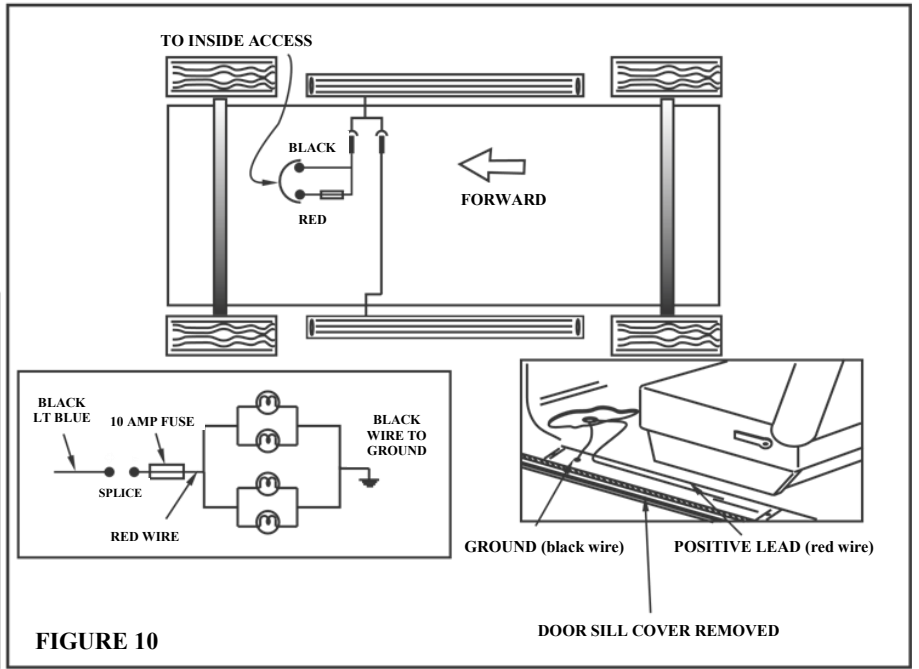
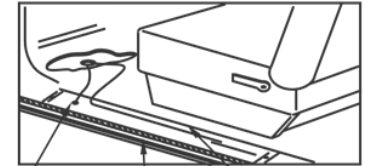


FIGURE 10



GROUND (black wire) POSITIVE LEAD (red wire)

DOOR SILL COVER REMOVED

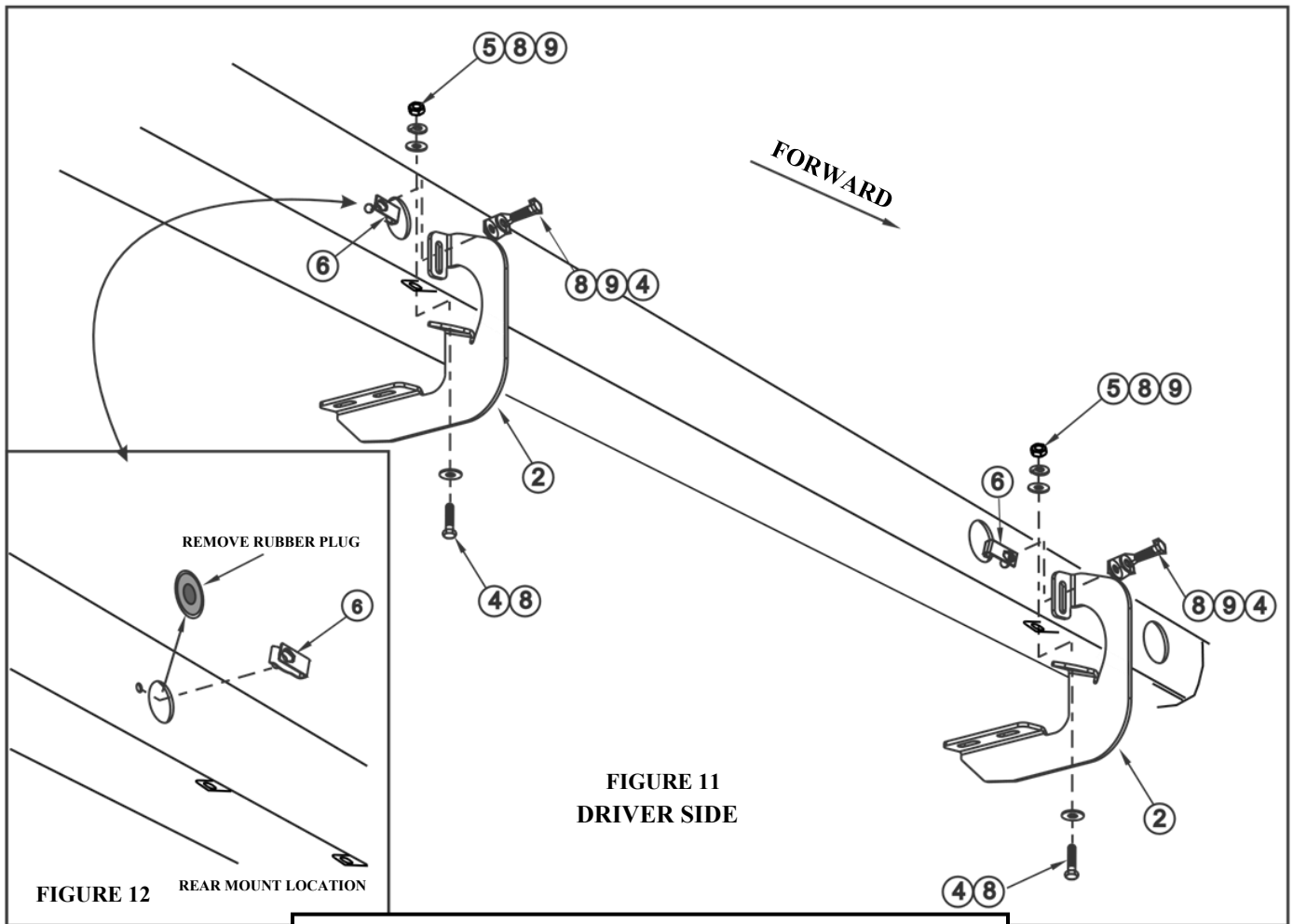


FIGURE 11
DRIVER SIDE

FIGURE 12

REAR MOUNT LOCATION

ALL 2011-2014 DIESEL SILVERADO/SIERRA: REGULAR CAB



Westin Automotive Products, Inc.
320 W. Covina Blvd
San Dimas, Ca. 91773

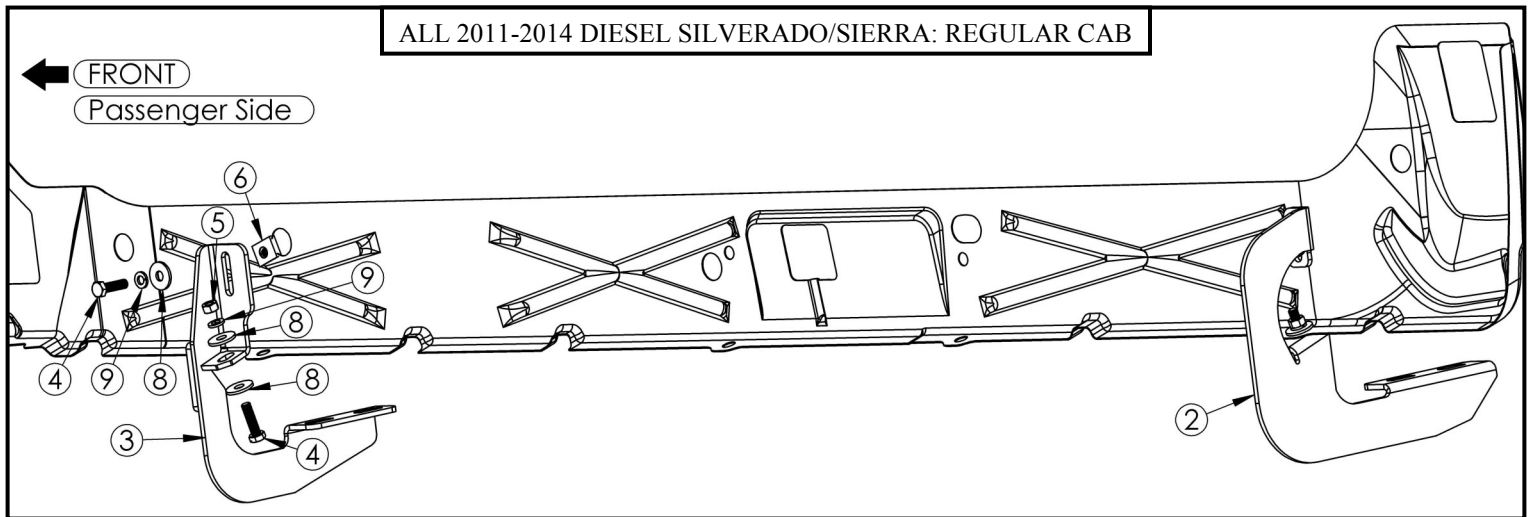
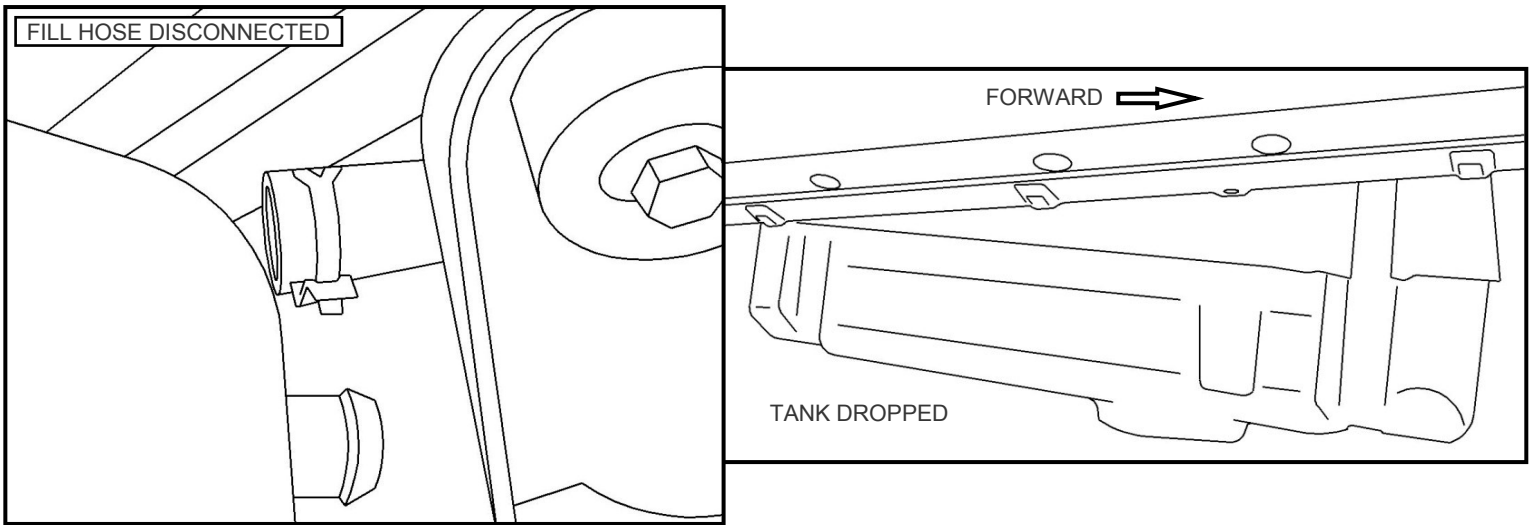
Thank you for choosing Westin products
for additional installation assistance please call
Customer Service (800) 793-7846

www.westinautomotive.com

DATE: 4/14/16

FOR DIESEL EXHAUST FLUID TANK EQUIPPED APPLICATIONS, THE TANK MUST BE LOWERED TO INSTALL THE PASSENGER SIDE FRONT MOUNTING BRACKET.

1. Remove the D.E.F. tank cover by removing the three fasteners along the front edge, then lift the cover off the hooks in the rear and push it towards the frame.
2. Disconnect the fill hose from the front of the tank.
3. Remove the support strap closest to the front of the vehicle by removing the bolt between the tank and rocker panel. The strap then can be unhooked and dropped from the rear.
4. Loosen the rear strap to drop the front of the tank approximately 4".
5. Install the passenger side diesel bracket (Item 3) by using the hardware shown. Check page 4 for correct placement of the diesel bracket. Additional clearance may be had by removing the two fasteners holding the front upper strap to the frame.
6. Reinstall the DEF tank and support straps.
7. Trimming of the D.E.F. cover is recommended before attempting to re-install it.



Westin Automotive Products, Inc.
320 W. Covina Blvd
San Dimas, Ca. 91773

Thank you for choosing Westin products
for additional installation assistance please call
Customer Service (800) 793-7846

Westin

SIGNATURE OF QUALITY

AUTOMOTIVE PRODUCTS, INC.



WARNING



Failure to follow these instructions could lead to death, personal injury, and / or property damage.

FASTENERS:

All Westin supplied fasteners must be utilized and installed in accordance with the installation instructions and apply torque to the specifications as defined. **DOUBLE CHECK ALL FASTENERS BEFORE INITIAL USE, AND PERIODICALLY IN THE FUTURE TO ENSURE PROPER FUNCTION AND SAFETY.**

DRILLING:

Most Westin products do not require drilling for installation. If drilling is defined as required, use caution when drilling a vehicle. **FAILURE TO REVIEW AN AREA TO BE DRILLED MAY RESULT IN PERSONAL INJURY AND/OR INJURY TO OTHERS AS WELL AS VEHICLE DAMAGE.**

EYE PROTECTION:

ALWAYS WEAR SAFETY GLASSES OR GOGGLES DURING THE INSTALLATION PROCESS TO AVOID PERSONAL INJURY.

MAXIMUM TOWING/CARRYING CAPACITY:

The Westin Receiver Hitches will have a visible tow rating label affixed directly on the product. User should never exceed the vehicle manufacturers maximum tow and weight rating regardless of the capacity of the hitch. **FAILURE TO FOLLOW THESE GUIDELINES WILL VOID THE WESTIN WARRANTY AND MAY RESULT IN PERSONAL INJURY AND/OR INJURY TO OTHERS AS WELL AS VEHICLE DAMAGE.**

Westin
SIGNATURE OF QUALITY

Westin Automotive Products, Inc.
320 W. Covina Blvd
San Dimas, Ca. 91773